

Silicon NPN Power Transistors

2SC3210

DESCRIPTION

- With TO-3PFa package
- Low collector saturation voltage
- High breakdown voltage

APPLICATIONS

- For high speed switching applications

PINNING

PIN	DESCRIPTION
1	Base
2	Collector
3	Emitter

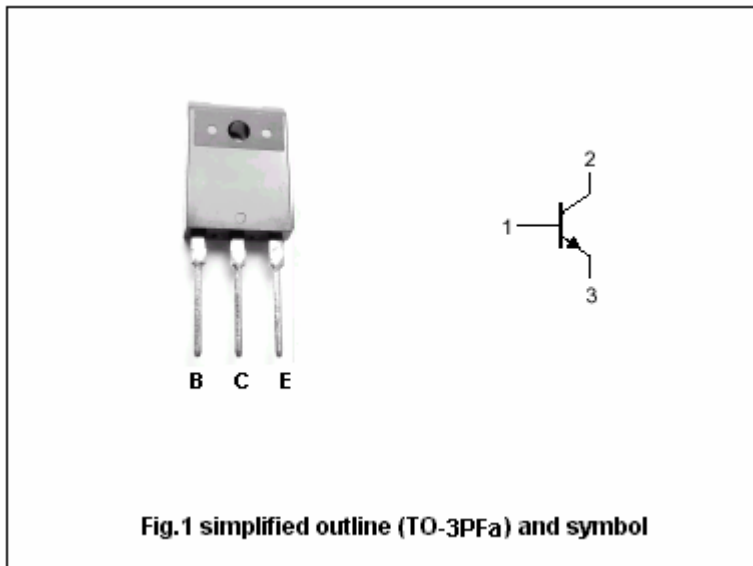


Fig.1 simplified outline (TO-3PFa) and symbol

Absolute maximum ratings(Ta=25°C)

SYMBOL	PARAMETER	CONDITIONS	VALUE	UNIT
V _{CBO}	Collector-base voltage	Open emitter	500	V
V _{CEO}	Collector-emitter voltage	Open base	400	V
V _{EBO}	Emitter-base voltage	Open collector	7	V
I _C	Collector current		10	A
I _{CM}	Collector current-peak		20	A
I _B	Base current		5	A
P _C	Collector power dissipation	T _C =25°C	100	W
		T _a =25°C	3	
T _j	Junction temperature		150	°C
T _{stg}	Storage temperature		-55~150	°C

Silicon NPN Power Transistors

2SC3210

CHARACTERISTICS

T_j=25°C unless otherwise specified

SYMBOL	PARAMETER	CONDITIONS	MIN	TYP.	MAX	UNIT
V _{CEO(SUS)}	Collector-emitter sustaining voltage	I _C =0.2A; L=25mH	400			V
V _{CEsat}	Collector-emitter saturation voltage	I _C =5A ; I _B =1A			1.0	V
V _{BEsat}	Base-emitter saturation voltage	I _C =5A ; I _B =1A			1.5	V
I _{CBO}	Collector cut-off current	V _{CB} =500V; I _E =0			100	μA
I _{EBO}	Emitter cut-off current	V _{EB} =5V; I _C =0			100	μA
h _{FE-1}	DC current gain	I _C =0.1A ; V _{CE} =5V	15			
h _{FE-2}	DC current gain	I _C =5A ; V _{CE} =5V	8			
f _T	Transition frequency	I _C =0.5A ; V _{CE} =10V		11		MHz

Switching times

t _{on}	Turn-on time	I _C =5A; V _{CC} =100V I _{B1} =-I _{B2} =1A			1.0	μs
t _{stg}	Storage time				2.5	μs
t _f	Fall time				1.0	μs

Silicon NPN Power Transistors

2SC3210

PACKAGE OUTLINE

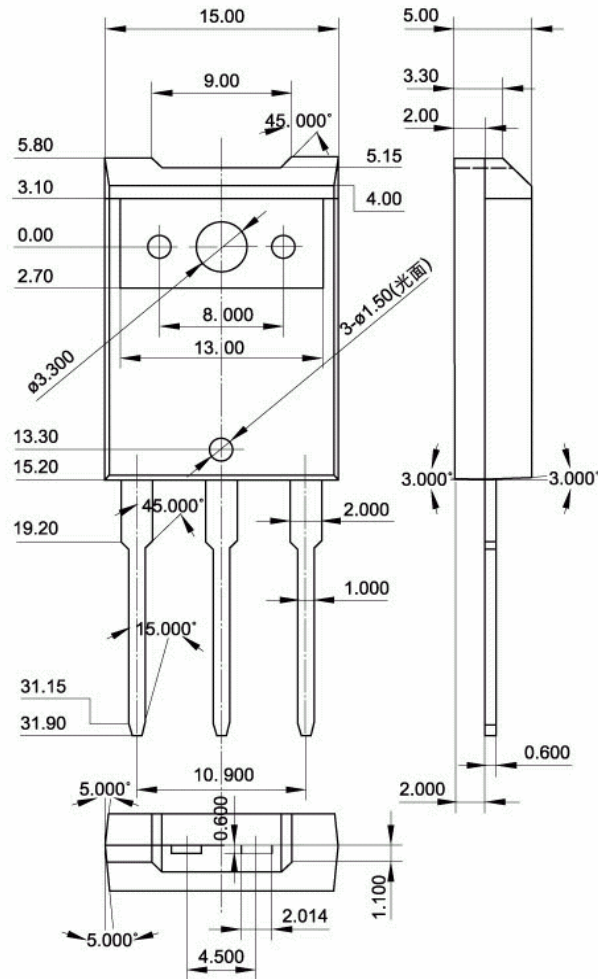


Fig.2 Outline dimensions (unindicated tolerance:±0.30mm)