

Silicon NPN Power Transistors

2SC3519 2SC3519A

**DESCRIPTION**

- With TO-3PN package
- Complement to type 2SA1386/A

**APPLICATIONS**

- Audio and general purpose

**PINNING**

PIN	DESCRIPTION
1	Base
2	Collector;connected to mounting base
3	Emitter

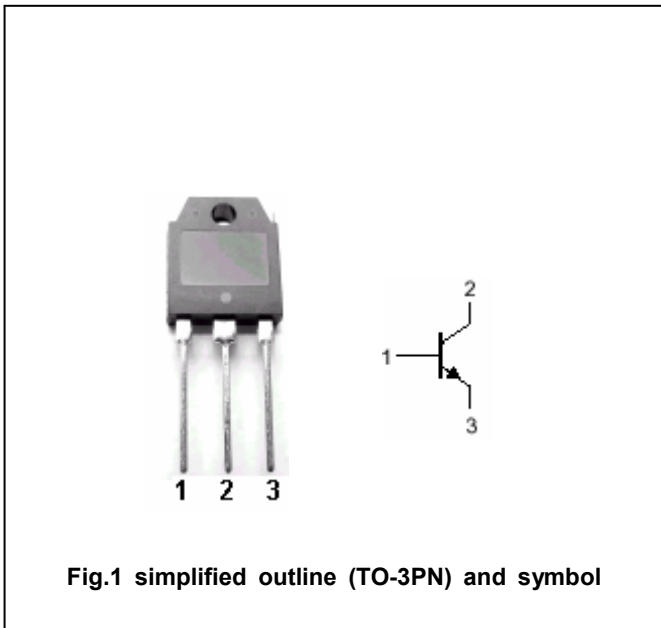


Fig.1 simplified outline (TO-3PN) and symbol

**Absolute maximum ratings(Ta=□)**

SYMBOL	PARAMETER	CONDITIONS	VALUE	UNIT
V <sub>CBO</sub>	Collector-base voltage	2SC3519	160	V
		2SC3519A	180	
V <sub>CEO</sub>	Collector-emitter voltage	2SC3519	160	V
		2SC3519A	180	
V <sub>EBO</sub>	Emitter-base voltage	Open collector	5	V
I <sub>C</sub>	Collector current		15	A
I <sub>B</sub>	Base current		4	A
P <sub>C</sub>	Collector power dissipation	T <sub>C</sub> =25□	130	W
T <sub>j</sub>	Junction temperature		150	□
T <sub>stg</sub>	Storage temperature		-55~150	□

## Silicon NPN Power Transistors

## 2SC3519 2SC3519A

## CHARACTERISTICS

T<sub>j</sub>=25°C unless otherwise specified

SYMBOL	PARAMETER		CONDITIONS	MIN	TYP.	MAX	UNIT
V <sub>(BR)CEO</sub>	Collector-emitter breakdown voltage	2SA1386	I <sub>C</sub> =25mA ; I <sub>B</sub> =0	160			V
		2SA1386A		180			
V <sub>CEsat</sub>	Collector-emitter saturation voltage		I <sub>C</sub> =5A ; I <sub>B</sub> =0.5A			2.0	V
I <sub>CBO</sub>	Collector cut-off current	2SA1386	V <sub>CB</sub> =160V ; I <sub>E</sub> =0			100	μA
		2SA1386A	V <sub>CB</sub> =180V ; I <sub>E</sub> =0				
I <sub>EBO</sub>	Emitter cut-off current		V <sub>EB</sub> =5V ; I <sub>C</sub> =0			100	μA
h <sub>FE</sub>	DC current gain		I <sub>C</sub> =5A ; V <sub>CE</sub> =4V	50		180	
C <sub>ob</sub>	Output capacitance		I <sub>E</sub> =0 ; V <sub>CB</sub> =10V ; f=1MHz		250		pF
f <sub>T</sub>	Transition frequency		I <sub>C</sub> =2A ; V <sub>CE</sub> =12V		50		MHz
Switching times							
t <sub>on</sub>		Rise time	I <sub>C</sub> =10A ; R <sub>L</sub> =4Ω I <sub>B1</sub> =- I <sub>B2</sub> =1A V <sub>CC</sub> =40V		0.20		μs
t <sub>s</sub>		Storage time			1.30		μs
t <sub>f</sub>		Fall time			0.45		μs

◆ h<sub>FE</sub> Classifications

O	P	Y
50-100	70-140	90-180

Silicon NPN Power Transistors

2SC3519 2SC3519A

PACKAGE OUTLINE

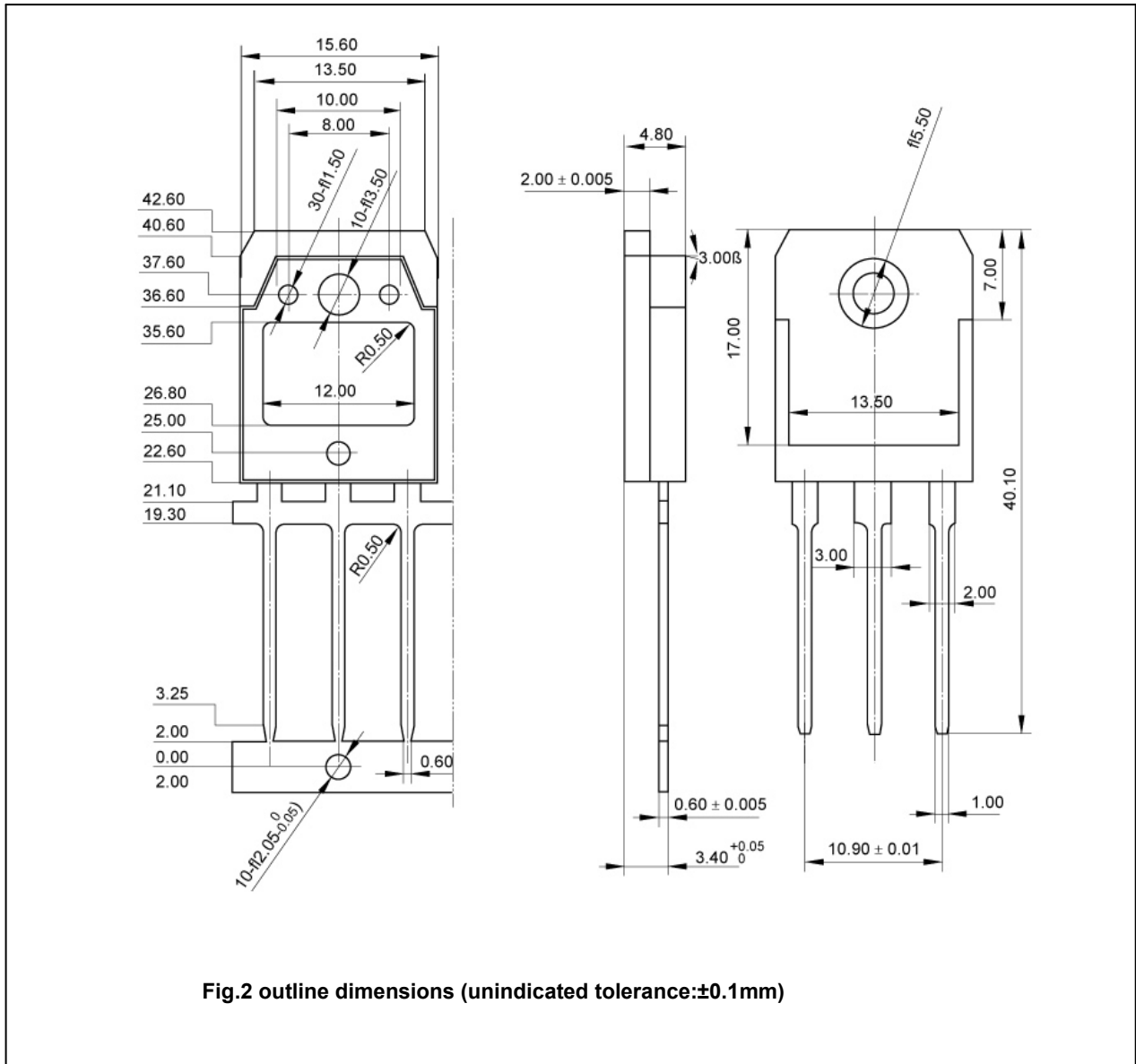


Fig.2 outline dimensions (unindicated tolerance:±0.1mm)

Silicon NPN Power Transistors

2SC3519 2SC3519A

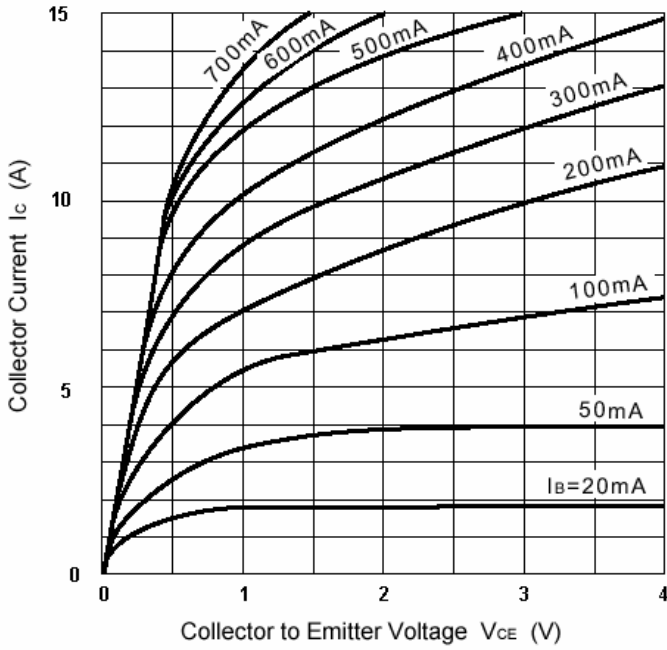


Fig.3 Static Characteristic

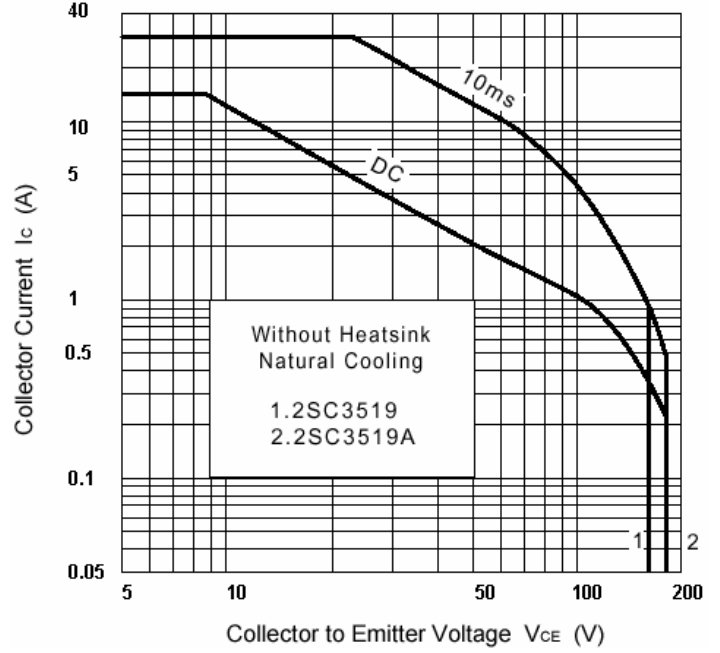


Fig.4 Safe Operating Area

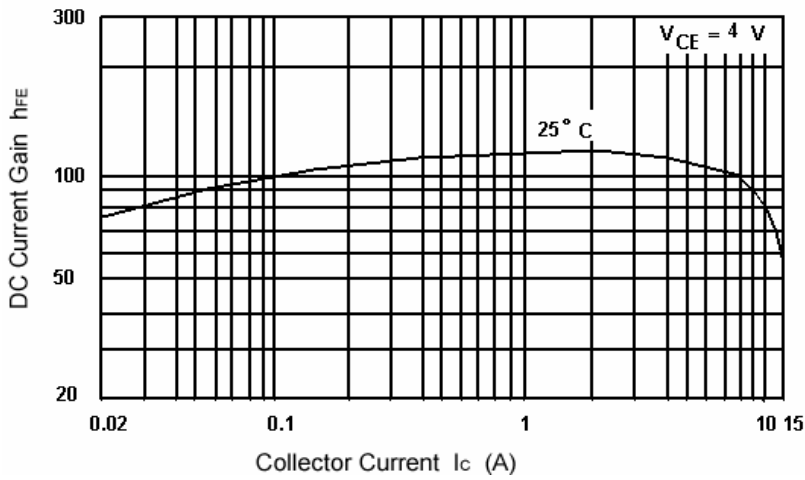


Fig.5 DC current Gain