

isc Silicon NPN Power Transistor

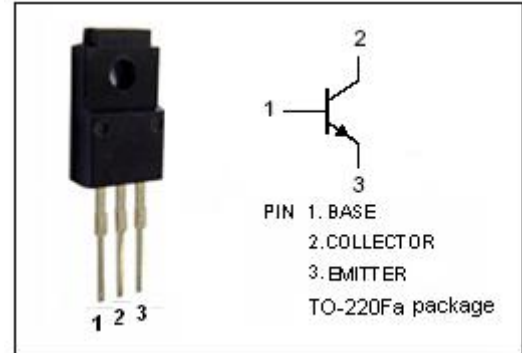
2SC3871

DESCRIPTION

- Collector-Base Breakdown Voltage-
: $V_{(BR)CBO} = 500V(\text{Min.})$
- Low Collector Saturation Voltage
- Wide Area of Safe Operation
- High Speed Switching
- Minimum Lot-to-Lot variations for robust device performance and reliable operation

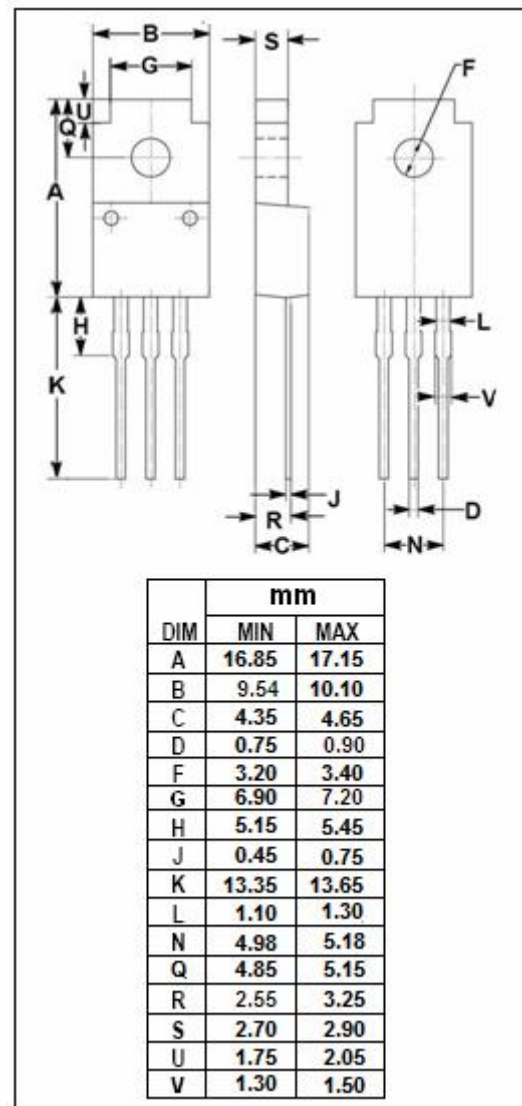
APPLICATIONS

- Designed for high speed switching applications.



ABSOLUTE MAXIMUM RATINGS ($T_a=25^\circ\text{C}$)

SYMBOL	PARAMETER	VALUE	UNIT
V_{CBO}	Collector-Base Voltage	500	V
V_{CES}	Collector-Emitter Voltage	500	V
V_{CEO}	Collector-Emitter Voltage	400	V
V_{EBO}	Emitter-Base Voltage	7	V
I_C	Collector Current-Continuous	10	A
I_{CM}	Collector Current-Peak	20	A
I_B	Base Current-Continuous	5	A
P_C	Collector Power Dissipation @ $T_a=25^\circ\text{C}$	2	W
	Collector Power Dissipation @ $T_c=25^\circ\text{C}$	45	
T_j	Junction Temperature	150	$^\circ\text{C}$
T_{stg}	Storage Temperature Range	-55~150	$^\circ\text{C}$



isc Silicon NPN Power Transistor

2SC3871

ELECTRICAL CHARACTERISTICS

T_c=25°C unless otherwise specified

SYMBOL	PARAMETER	CONDITIONS	MIN	TYP.	MAX	UNIT
V _{(BR)CEO}	Collector-Emitter Breakdown Voltage	I _C = 10mA; I _B = 0	400			V
V _{CE(sat)}	Collector-Emitter Saturation Voltage	I _C = 5A; I _B = 1A			1.0	V
V _{BE(sat)}	Base-Emitter Saturation Voltage	I _C = 5A; I _B = 1A			1.5	V
I _{CBO}	Collector Cutoff Current	V _{CB} = 500V; I _E = 0			100	μA
I _{EBO}	Emitter Cutoff Current	V _{EB} = 5V; I _C = 0			100	μA
h _{FE-1}	DC Current Gain	I _C = 0.1A; V _{CE} = 5V	15			
h _{FE-2}	DC Current Gain	I _C = 5A; V _{CE} = 5V	8			
f _T	Current-Gain—Bandwidth Product	I _C = 0.5A; V _{CE} = 10V	15			MHz
Switching Times						
t _{on}	Turn-on Time	I _C = 5A; I _{B1} = 1A; I _{B2} = -2A; V _{CC} = 150V			0.7	μs
t _s	Storage Time				2.0	μs
t _f	Fall Time				0.3	μs

NOTICE:

ISC reserves the rights to make changes of the content herein the datasheet at any time without notification. The information contained herein is presented only as a guide for the applications of our products.

ISC products are intended for usage in general electronic equipment. The products are not designed for use in equipment which require specialized quality and/or reliability, or in equipment which could have applications in hazardous environments, aerospace industry, or medical field. Please contact us if you intend our products to be used in these special applications.

ISC makes no warranty or guarantee regarding the suitability of its products for any particular purpose, nor does ISC assume any liability arising from the application or use of any products, and specifically disclaims any and all liability, including without limitation special, consequential or incidental damages.