

Silicon NPN Power Transistors

2SC4581

DESCRIPTION

- With TO-3PML package
- High voltage,high speed
- Switching power transistor

PINNING

PIN	DESCRIPTION
1	Base
2	Collector
3	Emitter

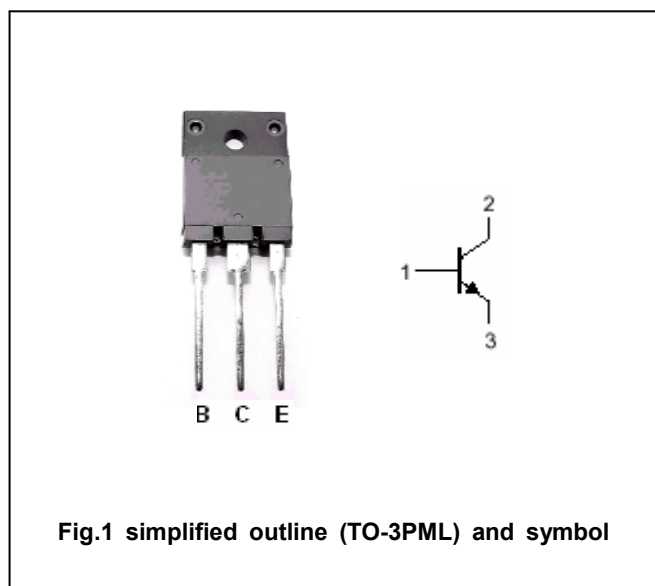


Fig.1 simplified outline (TO-3PML) and symbol

Absolute maximum (Ta=25°C)

SYMBOL	PARAMETER	CONDITIONS	VALUE	UNIT
V_{CBO}	Collector-base voltage	Open emitter	600	V
V_{CEO}	Collector-emitter voltage	Open base	450	V
V_{EBO}	Emitter-base voltage	Open collector	7	V
I_C	Collector current		10	A
I_{CM}	Collector current-peak		20	A
I_B	Base current		4	A
I_{BM}	Base current-peak		8	A
P_C	Collector power dissipation	$T_C=25^\circ\text{C}$	65	W
T_j	Junction temperature		150	°C
T_{stg}	Storage temperature		-55~150	°C

THERMAL CHARACTERISTICS

SYMBOL	PARAMETER	MAX	UNIT
$R_{th\ j-c}$	Thermal resistance junction to case	1.92	°C/W

Silicon NPN Power Transistors

2SC4581

CHARACTERISTICS

T_j=25°C unless otherwise specified

SYMBOL	PARAMETER	CONDITIONS	MIN	TYP.	MAX	UNIT
V _{CEsat}	Collector-emitter saturation voltage	I _C =5A; I _B =1 A			1.0	V
V _{BEsat}	Base-emitter saturation voltage	I _C =5A; I _B =1 A			1.5	V
V _{CEO(SUS)}	Collector-emitter sustaining voltage	I _C =0.2A; I _B =0	450			V
I _{EBO}	Emitter cut-off current	At rated voltage			0.1	mA
I _{CBO}	Collector cut-off current	At rated voltage			0.1	mA
I _{CEO}	Collector cut-off current					
h _{FE-1}	DC current gain	I _C =5 A ; V _{CE} =5V	10			
h _{FE-2}	DC current gain	I _C =1mA ; V _{CE} =5V	5			
f _T	Transition frequency	I _C =1A ; V _{CE} =10V		20		MHz

Switching times

t _{on}	Turn-on time	I _C =5A; R _L =30Ω I _{B1} =1A; I _{B2} =2A V _{BB2} =4V			0.5	μs
t _{stg}	Storage time				2.0	μs
t _f	Fall time				0.2	μs

Silicon NPN Power Transistors

2SC4581

PACKAGE OUTLINE

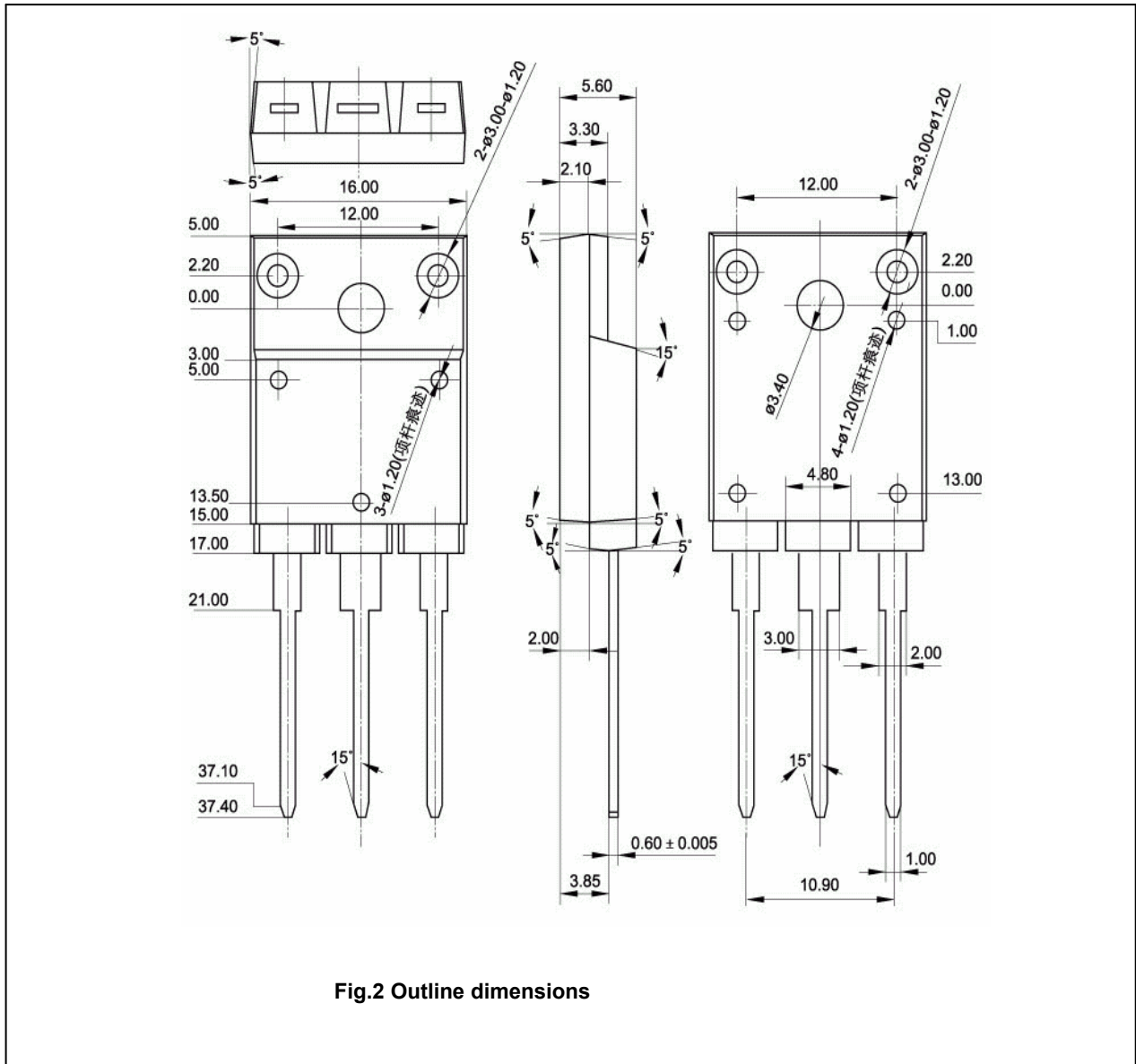


Fig.2 Outline dimensions