

**isc Silicon NPN Power Transistor**
**2SC5149**
**DESCRIPTION**

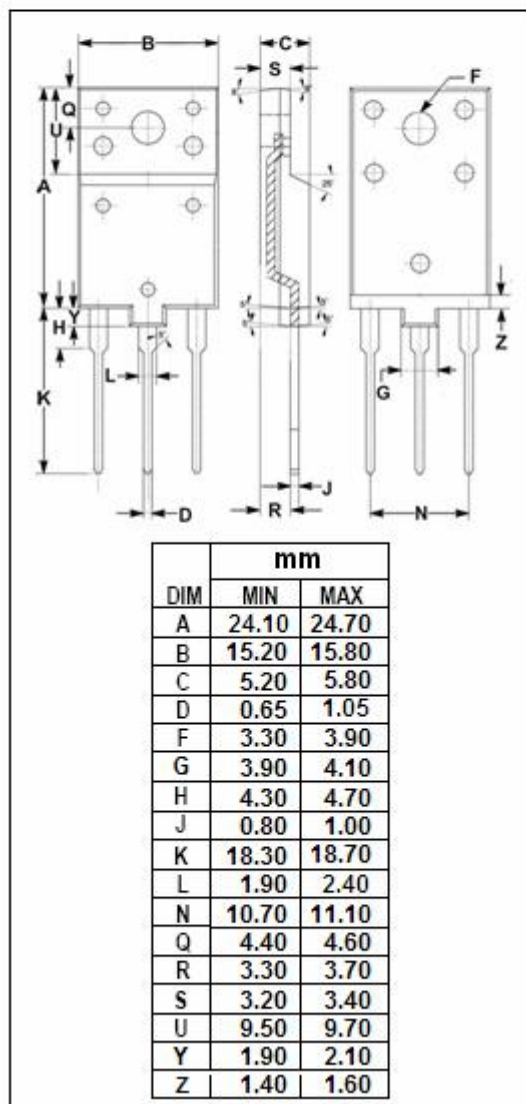
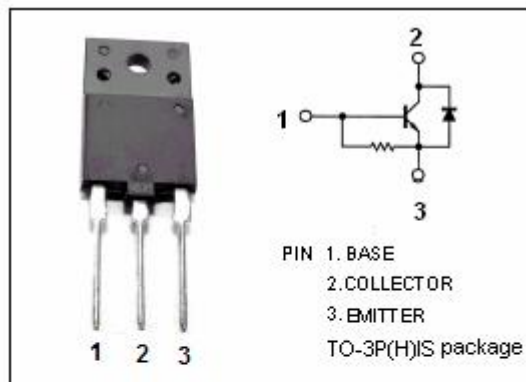
- High Breakdown Voltage  
:  $V_{CBO} = 1500V$  (Min)
- High Switching Speed
- Low Saturation Voltage
- Built-in Damper Diode
- Minimum Lot-to-Lot variations for robust device performance and reliable operation

**APPLICATIONS**

- Horizontal deflection output for medium resolution display color TV
- High speed switching applications

**ABSOLUTE MAXIMUM RATINGS ( $T_a = 25^\circ C$ )**

SYMBOL	PARAMETER	VALUE	UNIT
$V_{CBO}$	Collector-Base Voltage	1500	V
$V_{CEO}$	Collector-Emitter Voltage	600	V
$V_{EBO}$	Emitter-Base Voltage	5	V
$I_C$	Collector Current- Continuous	8	A
$I_{CP}$	Collector Current-Pulse	16	A
$I_B$	Base Current- Continuous	4	A
$P_C$	Collector Power Dissipation @ $T_C = 25^\circ C$	50	W
$T_J$	Junction Temperature	150	$^\circ C$
$T_{stg}$	Storage Temperature Range	-55~150	$^\circ C$



**isc Silicon NPN Power Transistor**
**2SC5149**
**ELECTRICAL CHARACTERISTICS**

 T<sub>c</sub>=25°C unless otherwise specified

SYMBOL	PARAMETER	CONDITIONS	MIN	TYP.	MAX	UNIT
V <sub>(BR)EBO</sub>	Emitter-Base Breakdown Voltage	I <sub>E</sub> = 400mA ; I <sub>C</sub> = 0	5			V
V <sub>CE(sat)</sub>	Collector-Emitter Saturation Voltage	I <sub>C</sub> = 5A; I <sub>B</sub> = 1.3A			5.0	V
V <sub>BE(sat)</sub>	Base-Emitter Saturation Voltage	I <sub>C</sub> = 5A; I <sub>B</sub> = 1.3A			1.5	V
I <sub>CBO</sub>	Collector Cutoff Current	V <sub>CB</sub> = 1500V ; I <sub>E</sub> = 0			1.0	mA
I <sub>EBO</sub>	Emitter Cutoff Current	V <sub>EB</sub> = 5V ; I <sub>C</sub> = 0	66		200	mA
h <sub>FE-1</sub>	DC Current Gain	I <sub>C</sub> = 1A ; V <sub>CE</sub> = 5V	8		25	
h <sub>FE-2</sub>	DC Current Gain	I <sub>C</sub> = 5A ; V <sub>CE</sub> = 5V	3.8		8.0	
V <sub>ECF</sub>	C-E Diode Forward Voltage	I <sub>F</sub> = 5A			1.8	V
f <sub>T</sub>	Current-Gain—Bandwidth Product	I <sub>C</sub> = 0.1A ; V <sub>CE</sub> = 10V	2			MHz
C <sub>OB</sub>	Output Capacitance	I <sub>E</sub> =0 ; V <sub>CB</sub> =10V; f <sub>test</sub> =1.0MHz		110		pF

**NOTICE:**

ISC reserves the rights to make changes of the content herein the datasheet at any time without notification. The information contained herein is presented only as a guide for the applications of our products.

ISC products are intended for usage in general electronic equipment. The products are not designed for use in equipment which require specialized quality and/or reliability, or in equipment which could have applications in hazardous environments, aerospace industry, or medical field. Please contact us if you intend our products to be used in these special applications.

ISC makes no warranty or guarantee regarding the suitability of its products for any particular purpose, nor does ISC assume any liability arising from the application or use of any products, and specifically disclaims any and all liability, including without limitation special, consequential or incidental damages.