

Silicon NPN Power Transistors

2SD1455

DESCRIPTION

www.datasheet4u.com

- With TO-3PN package
- High voltage,high speed
- Built-in damper diode

APPLICATIONS

- For TV horizontal deflection output applications

PINNING

PIN	DESCRIPTION
1	Base
2	Collector;connected to mounting base
3	Emitter

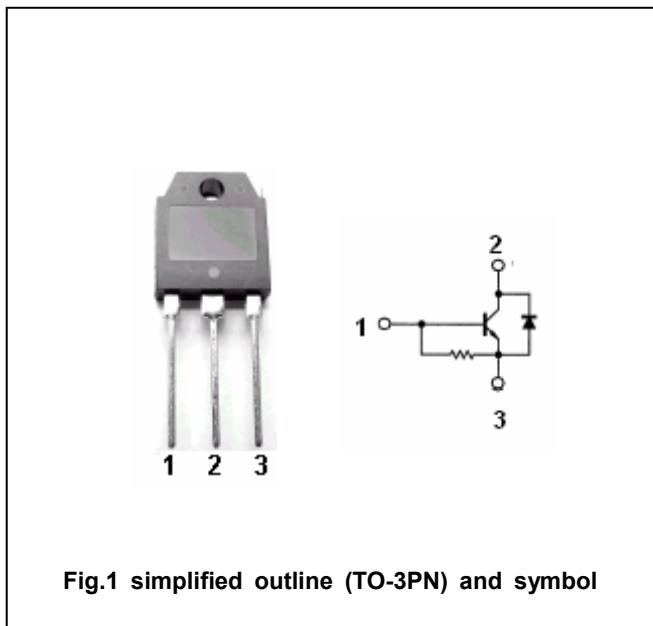


Fig.1 simplified outline (TO-3PN) and symbol

Absolute maximum ratings (Ta=25°C)

SYMBOL	PARAMETER	CONDITIONS	VALUE	UNIT
V <sub>CBO</sub>	Collector-base voltage	Open emitter	1500	V
V <sub>EBO</sub>	Emitter-base voltage	Open collector	6	V
I <sub>C</sub>	Collector current (DC)		5	A
P <sub>C</sub>	Collector power dissipation	T <sub>C</sub> =25°C	50	W
T <sub>j</sub>	Junction temperature		150	°C
T <sub>stg</sub>	Storage temperature		-45~150	°C

## Silicon NPN Power Transistors

## 2SD1455

## CHARACTERISTICS

T<sub>j</sub>=25°C unless otherwise specified

www.datasheet4u.com

SYMBOL	PARAMETER	CONDITIONS	MIN	TYP.	MAX	UNIT
V <sub>(BR)EBO</sub>	Emitter-base breakdown voltage	I <sub>E</sub> =200mA; I <sub>C</sub> =0	6			V
V <sub>CEsat</sub>	Collector-emitter saturation voltage	I <sub>C</sub> =4.5A; I <sub>B</sub> =1.2A			5.0	V
V <sub>BEsat</sub>	Base-emitter saturation voltage	I <sub>C</sub> =4.5A; I <sub>B</sub> =1.2A			1.5	V
I <sub>CB0</sub>	Collector cut-off current	V <sub>CB</sub> =1500V; I <sub>E</sub> =0			0.5	mA
h <sub>FE</sub>	DC current gain	I <sub>C</sub> =1A ; V <sub>CE</sub> =5V	6			
V <sub>F</sub>	Diode forward voltage	I <sub>F</sub> =5A			2.2	V

Silicon NPN Power Transistors

2SD1455

PACKAGE OUTLINE

www.datasheet4u.com

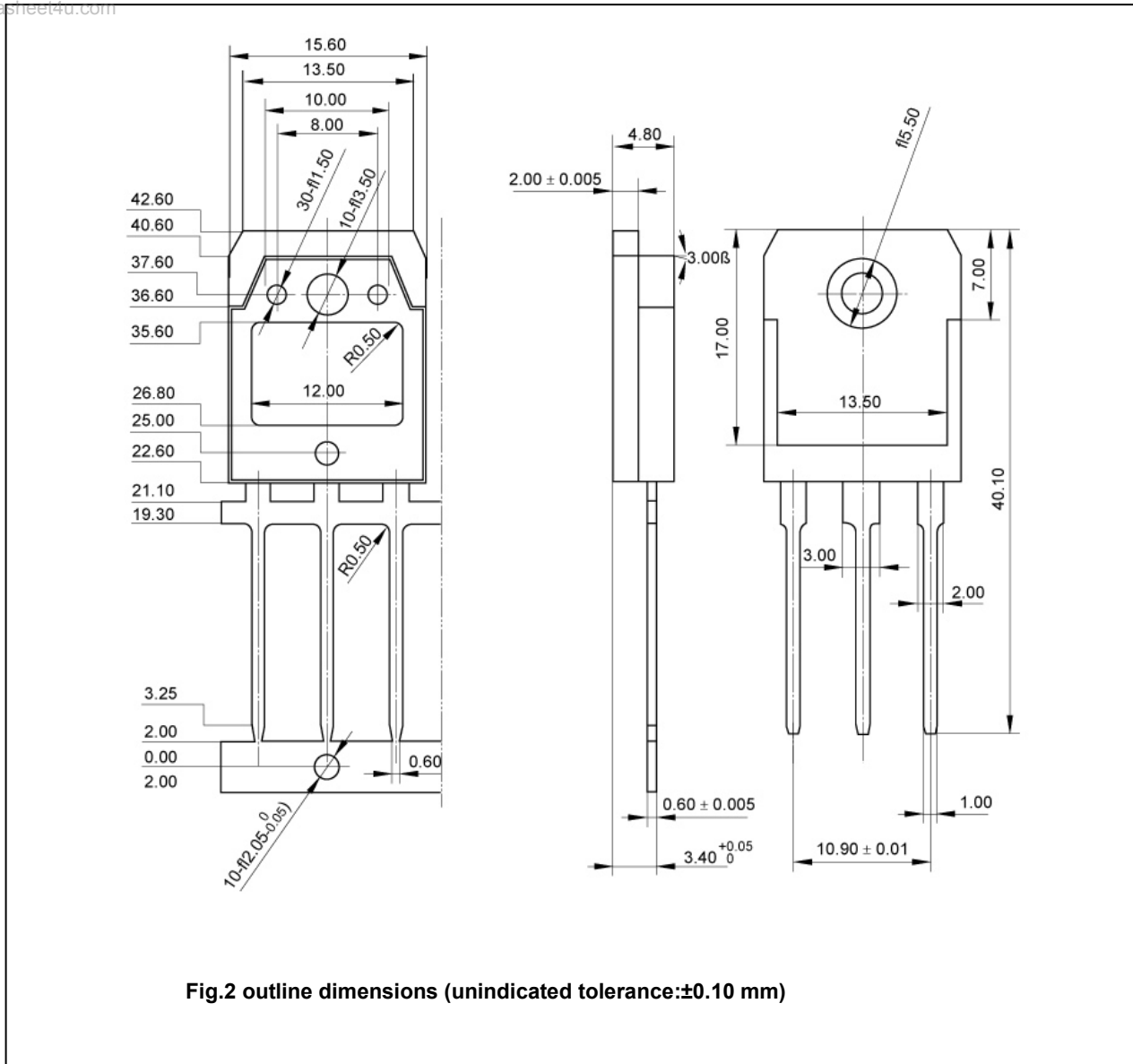


Fig.2 outline dimensions (unindicated tolerance:±0.10 mm)