

## Silicon NPN Power Transistors

2SD1497

## DESCRIPTION

www.datasheet4u.com

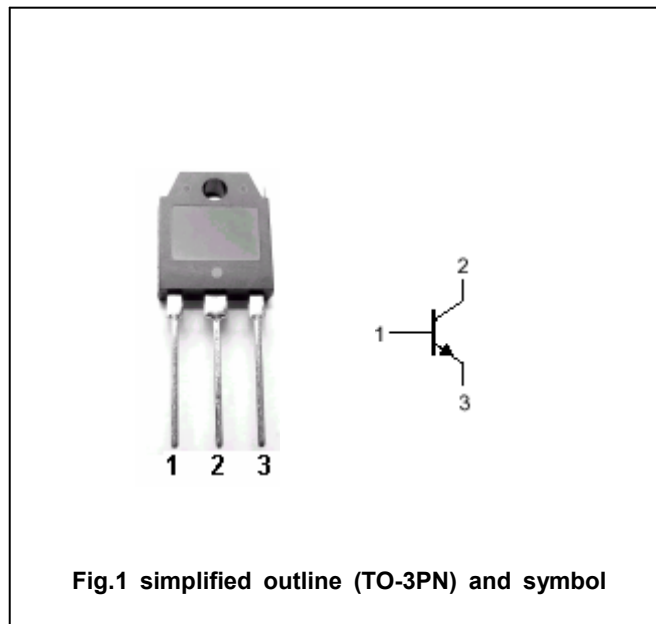
- With TO-3PN package
- High voltage ,high reliability
- Wide area of safe operation

## APPLICATIONS

- High voltage power switching TV horizontal deflection output applications

## PINNING

PIN	DESCRIPTION
1	Base
2	Collector;connected to mounting base
3	Emitter



## Absolute maximum ratings (Ta=25℃)

SYMBOL	PARAMETER	CONDITIONS	VALUE	UNIT
V <sub>CBO</sub>	Collector-base voltage	Open emitter	1500	V
V <sub>CEO</sub>	Collector-emitter voltage	Open base	600	V
V <sub>EBO</sub>	Emitter-base voltage	Open collector	7	V
I <sub>C</sub>	Collector current		6	A
I <sub>CM</sub>	Collector current-peak		7	A
I <sub>C(surge)</sub>	Collector surge current		16	A
P <sub>C</sub>	Collector power dissipation	T <sub>C</sub> =25℃	50	W
T <sub>j</sub>	Junction temperature		150	℃
T <sub>stg</sub>	Storage temperature		-45~150	℃

## Silicon NPN Power Transistors

## 2SD1497

## CHARACTERISTICS

T<sub>j</sub>=25°C unless otherwise specified

www.datasheet4u.com

SYMBOL	PARAMETER	CONDITIONS	MIN	TYP.	MAX	UNIT
V <sub>(BR)EBO</sub>	Emitter-base breakdown voltage	I <sub>E</sub> =10mA; I <sub>C</sub> =0	7			V
V <sub>(BR)CEO</sub>	Collector-emitter breakdown voltage	I <sub>C</sub> =10mA; R <sub>BE</sub> =∞	600			V
V <sub>CEsat</sub>	Collector-emitter saturation voltage	I <sub>C</sub> =5A; I <sub>B</sub> =1A			5.0	V
V <sub>BEsat</sub>	Base-emitter saturation voltage	I <sub>C</sub> =5A; I <sub>B</sub> =1A			1.5	V
I <sub>CEX</sub>	Collector cut-off current	V <sub>CE</sub> =1500V; V <sub>BE</sub> =1.5V			1.0	mA
I <sub>EBO</sub>	Emitter cut-off current	V <sub>EB</sub> =7V; I <sub>C</sub> =0			1.0	mA
h <sub>FE-1</sub>	DC current gain	I <sub>C</sub> =0.3A; V <sub>CE</sub> =5V	10		30	
h <sub>FE-2</sub>	DC current gain	I <sub>C</sub> =5A; V <sub>CE</sub> =5V	5			
t <sub>f</sub>	Fall time	I <sub>CP</sub> =4A; I <sub>B1</sub> =1.3A; L <sub>B</sub> =0			2.0	μs

Silicon NPN Power Transistors

2SD1497

PACKAGE OUTLINE

www.datasheet4u.com

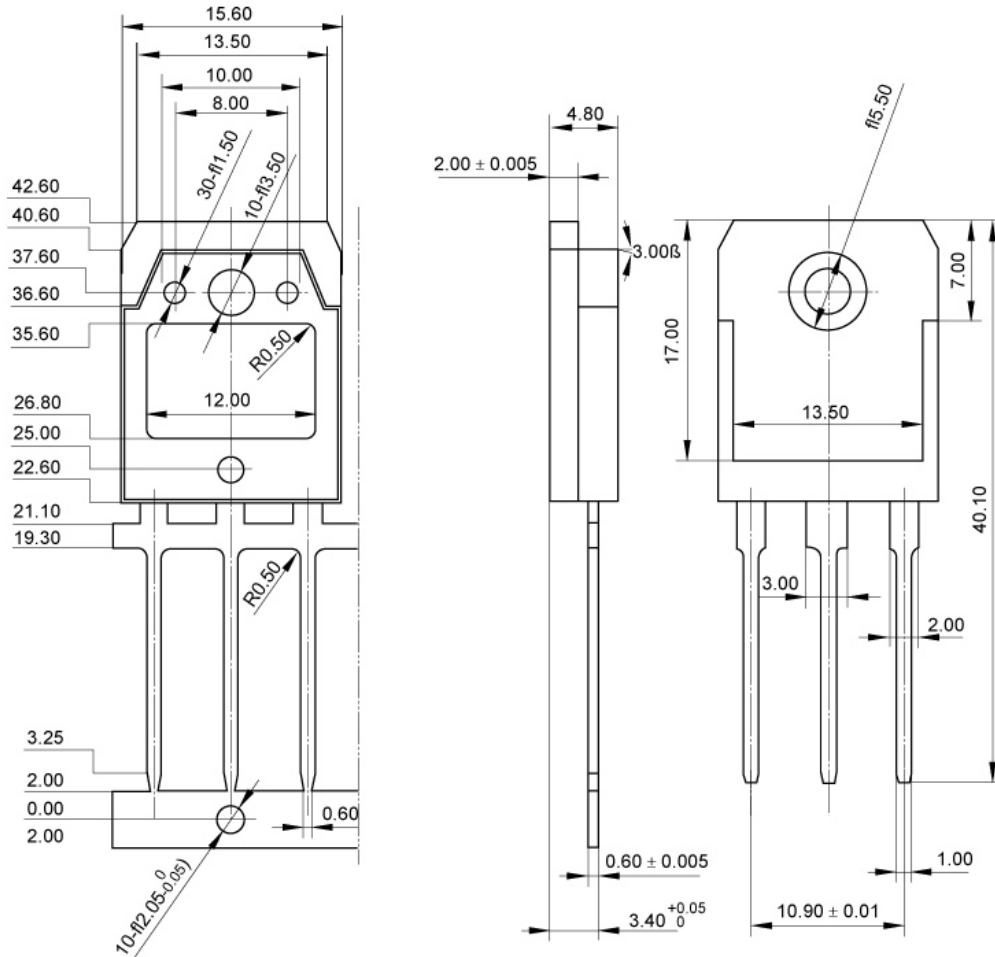


Fig.2 outline dimensions (unindicated tolerance:±0.10 mm)