

Silicon NPN Power Transistors

2SD2129

DESCRIPTION

www.datasheet4u.com

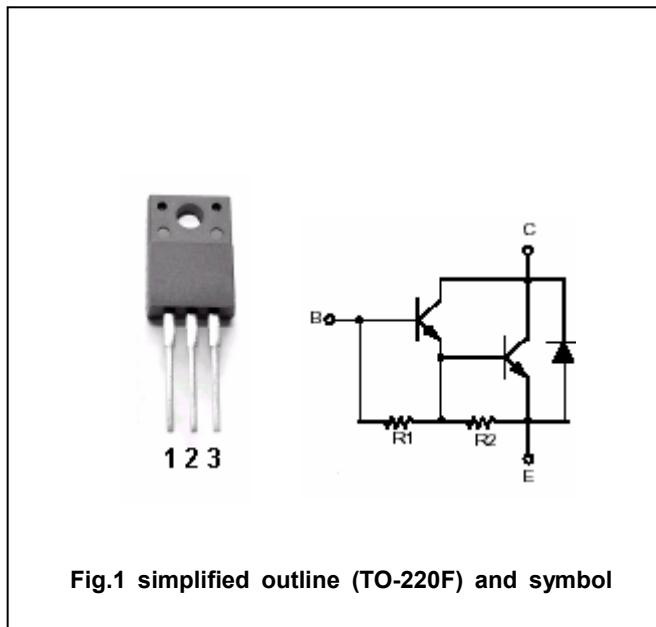
- With TO-220F package
- DARLINGTON
- High DC current gain
- Low collector saturation voltage

APPLICATIONS

- High power switching applications
- Hammer drive,pulse motor drive applications

PINNING

PIN	DESCRIPTION
1	Base
2	Collector
3	Emitter



Absolute maximum ratings (Ta=25°C)

SYMBOL	PARAMETER	CONDITIONS	VALUE	UNIT
V _{CBO}	Collector-base voltage	Open emitter	100	V
V _{CEO}	Collector-emitter voltage	Open base	100	V
V _{EBO}	Emitter-base voltage	Open collector	7	V
I _C	Collector current		3	A
I _{CM}	Collector current-peak		5	A
I _B	Base current		0.5	A
P _C	Collector dissipation	T _a =25°C	2	W
		T _C =25°C	20	
T _j	Junction temperature		150	°C
T _{stg}	Storage temperature		-55~150	°C

Silicon NPN Power Transistors

2SD2129

CHARACTERISTICS

T_j=25°C unless otherwise specified

www.datasheet4u.com

SYMBOL	PARAMETER	CONDITIONS	MIN	TYP.	MAX	UNIT
V _{(BR)CEO}	Collector-emitter breakdown voltage	I _C =30mA ; I _B =0	100			V
V _{CEsat-1}	Collector-emitter saturation voltage	I _C =1.5A ; I _B =3mA			1.5	V
V _{CEsat-2}	Collector-emitter saturation voltage	I _C =3A ; I _B =12mA			2.0	V
V _{BEsat}	Base-emitter saturation voltage	I _C =1.5A ; I _B =3mA			2.0	V
I _{CBO}	Collector cut-off current	V _{CB} =100V; I _E =0			100	μA
I _{EBO}	Emitter cut-off current	V _{EB} =6V; I _C =0			2.5	mA
h _{FE-1}	DC current gain	I _C =1.5A ; V _{CE} =3V	2000		15000	
h _{FE-2}	DC current gain	I _C =3A ; V _{CE} =3V	1000			

Switching times

t _{on}	Turn-on time	I _{B1} =-I _{B2} =3mA V _{CC} ≈30V , R _L =20Ω		1.0		μs
t _s	Storage time			5.0		μs
t _f	Fall time			2.0		μs

Silicon NPN Power Transistors

2SD2129

PACKAGE OUTLINE

www.datasheet4u.com

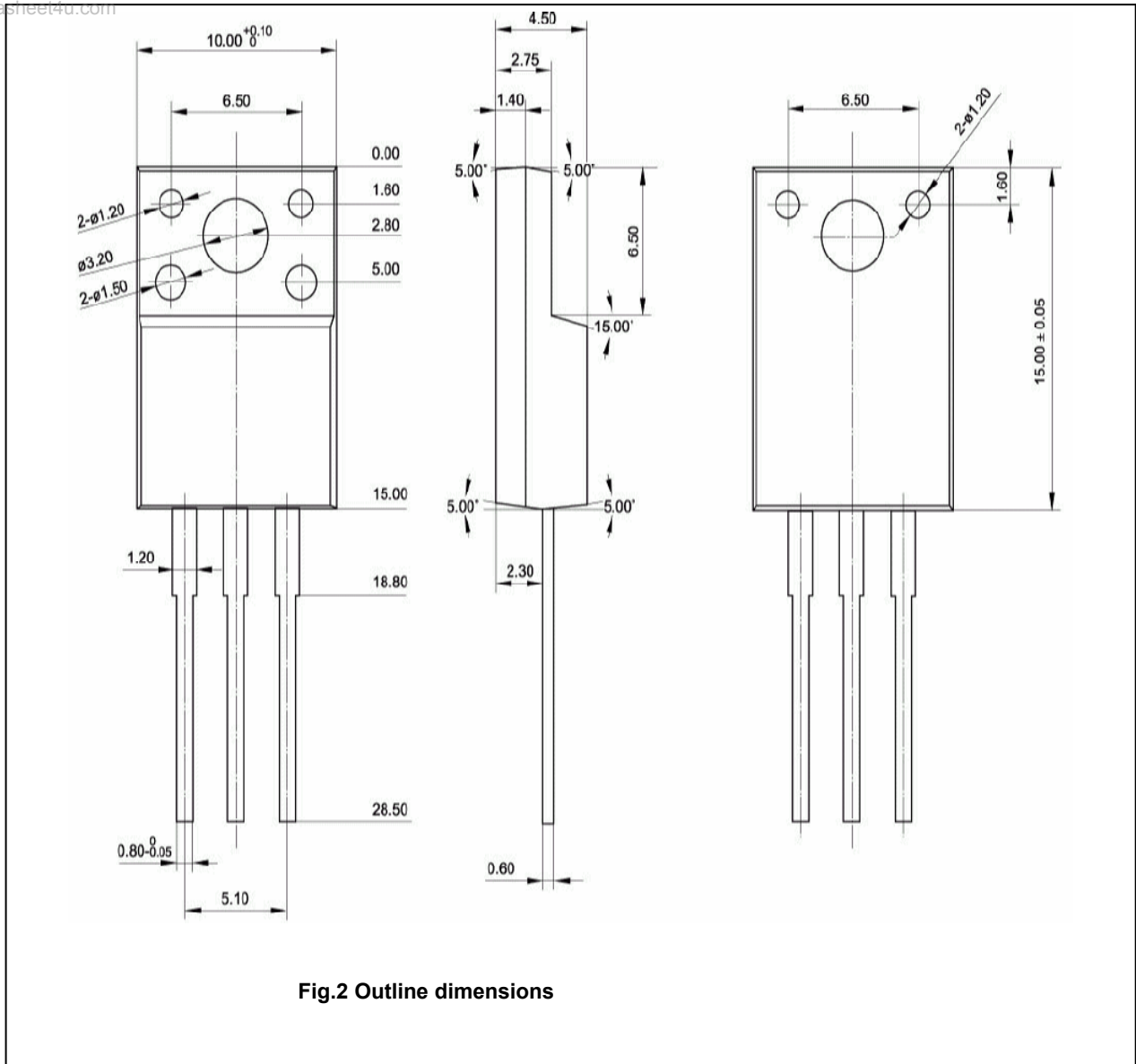


Fig.2 Outline dimensions