

Silicon NPN Power Transistors

2SD560

DESCRIPTION

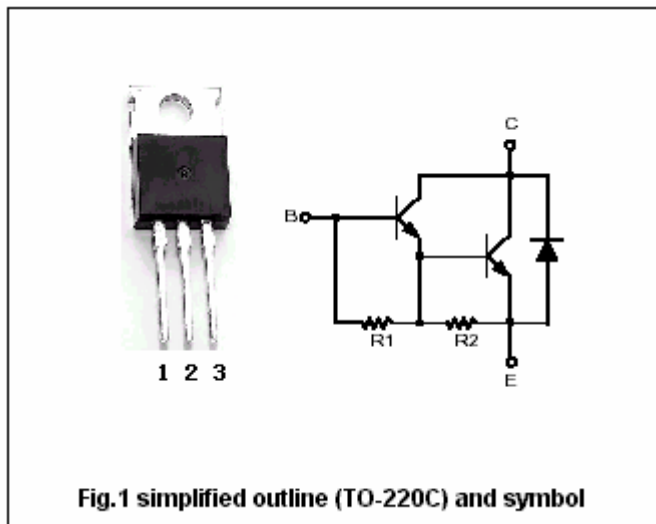
- With TO-220C package
- Complement to type 2SB601
- DARLINGTON

APPLICATIONS

- Low frequency power amplifier
- Low speed switching industrial use

PINNING

PIN	DESCRIPTION
1	Base
2	Collector;connected to mounting base
3	Emitter



Absolute maximum ratings(Ta=25°C)

SYMBOL	PARAMETER	CONDITIONS	VALUE	UNIT
V <sub>CBO</sub>	Collector-base voltage	Open emitter	150	V
V <sub>CEO</sub>	Collector-emitter voltage	Open base	100	V
V <sub>EBO</sub>	Emitter-base voltage	Open collector	7	V
I <sub>C</sub>	Collector current (DC)		5	A
I <sub>CM</sub>	Collector current-Peak		8	A
I <sub>B</sub>	Base current		0.5	A
P <sub>C</sub>	Collector dissipation	T <sub>C</sub> =25°C	30	W
			1.5	
T <sub>j</sub>	Junction temperature		150	°C
T <sub>stg</sub>	Storage temperature		-50~150	°C

## Silicon NPN Power Transistors

## 2SD560

## CHARACTERISTICS

T<sub>j</sub>=25°C unless otherwise specified

SYMBOL	PARAMETER	CONDITIONS	MIN	TYP.	MAX	UNIT
V <sub>(BR)CEO</sub>	Collector-emitter breakdown voltage	I <sub>C</sub> =30mA; I <sub>B</sub> =0	100			V
V <sub>CEsat</sub>	Collector-emitter saturation voltage	I <sub>C</sub> =3A; I <sub>B</sub> =3mA			1.5	V
V <sub>BEsat</sub>	Base-emitter saturation voltage	I <sub>C</sub> =3A; I <sub>B</sub> =3mA			2.0	V
I <sub>CBO</sub>	Collector cut-off current	V <sub>CB</sub> =100V; I <sub>E</sub> =0			1	μA
I <sub>EBO</sub>	Emitter cut-off current	V <sub>EB</sub> =5V; I <sub>C</sub> =0			3	mA
h <sub>FE-1</sub>	DC current gain	I <sub>C</sub> =3A ; V <sub>CE</sub> =2V	2000	6000	15000	
h <sub>FE-2</sub>	DC current gain	I <sub>C</sub> =5A ; V <sub>CE</sub> =2V	500			

## Switching times

t <sub>on</sub>	Turn-on time	I <sub>C</sub> =3A; I <sub>B1</sub> =-I <sub>B2</sub> =3mA V <sub>CC</sub> =50V; R <sub>L</sub> =16.7Ω		1.0		μs
t <sub>s</sub>	Storage time			3.5		μs
t <sub>f</sub>	Fall time			1.2		μs

◆ h<sub>FE-1</sub> Classifications

R	O	Y
2000-5000	3000-7000	5000-15000

Silicon NPN Power Transistors

2SD560

PACKAGE OUTLINE

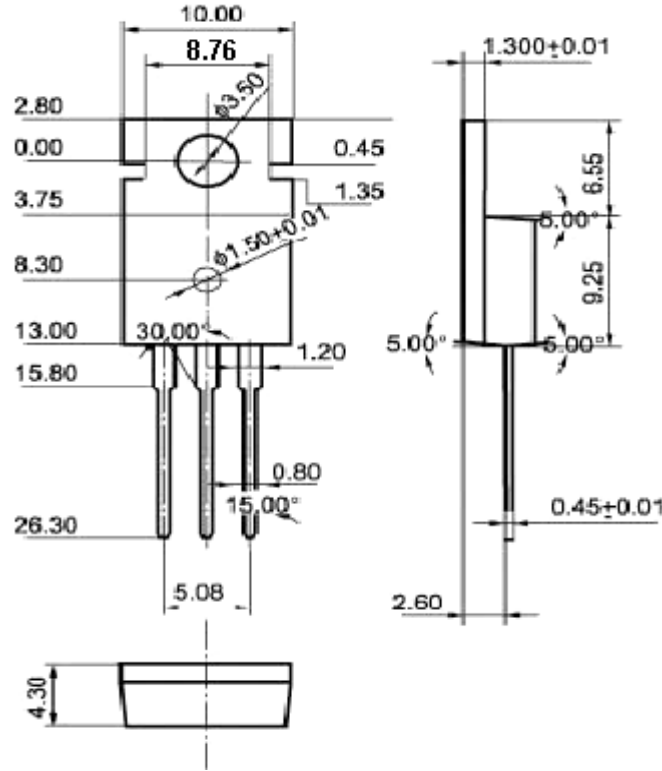


Fig.2 Outline dimensions (unindicated tolerance:  $\pm 0.10$ mm)