

**isc N-Channel MOSFET Transistor**
**2SK1204**
**DESCRIPTION**

- Drain Current  $-I_D = 8A @ T_C = 25^\circ C$
- Drain Source Voltage:  
:  $V_{DSS} = 900V(\text{Min})$
- Fast Switching Speed
- Minimum Lot-to-Lot variations for robust device performance and reliable operation

**APPLICATIONS**

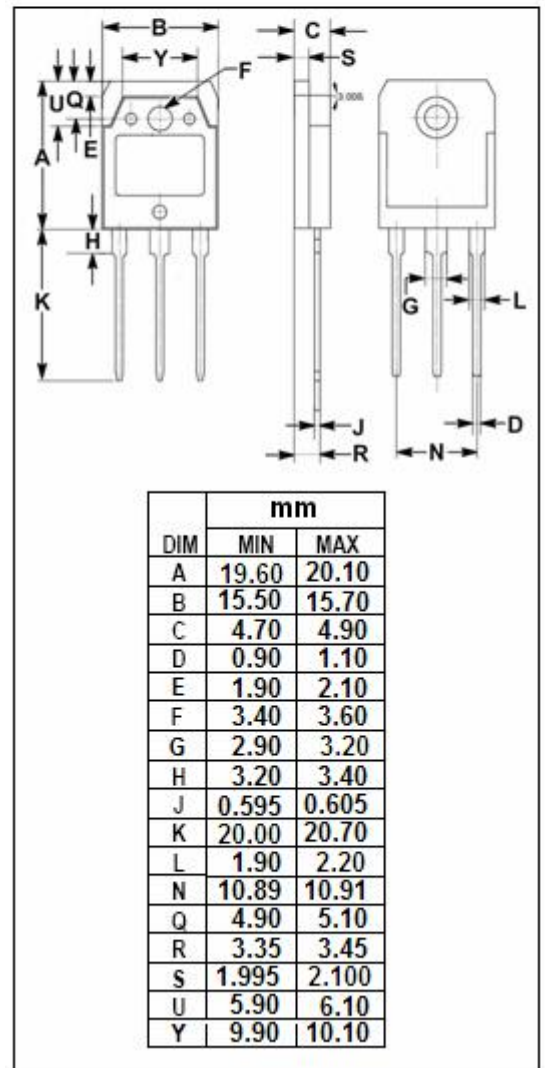
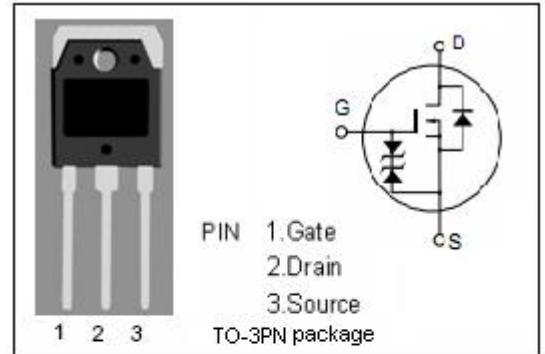
- Designed for high voltage, high speed power switching

**ABSOLUTE MAXIMUM RATINGS( $T_a = 25^\circ C$ )**

SYMBOL	PARAMETER	VALUE	UNIT
$V_{DSS}$	Drain-Source Voltage ( $V_{GS}=0$ )	900	V
$V_{GS}$	Gate-Source Voltage	$\pm 20$	V
$I_D$	Drain Current-continuous@ $T_C = 25^\circ C$	8	A
$P_{tot}$	Total Dissipation@ $T_C = 25^\circ C$	100	W
$T_j$	Max. Operating Junction Temperature	150	$^\circ C$
$T_{stg}$	Storage Temperature Range	-55~150	$^\circ C$

**THERMAL CHARACTERISTICS**

SYMBOL	PARAMETER	MAX	UNIT
$R_{th\ j-c}$	Thermal Resistance, Junction to Case	0.83	$^\circ C/W$
$R_{th\ j-a}$	Thermal Resistance, Junction to Ambient	35	$^\circ C/W$



## isc N-Channel Mosfet Transistor

2SK1204

• ELECTRICAL CHARACTERISTICS (T<sub>c</sub>=25°C)

SYMBOL	PARAMETER	CONDITIONS	MIN	TYP	MAX	UNIT
V <sub>(BR)DSS</sub>	Drain-Source Breakdown Voltage	V <sub>GS</sub> =0; I <sub>D</sub> = 10mA	900			V
V <sub>GS(th)</sub>	Gate Threshold Voltage	V <sub>DS</sub> =10 V <sub>GS</sub> ; I <sub>D</sub> =1mA	2.0		4.0	V
R <sub>DS(on)</sub>	Drain-Source On-stage Resistance	V <sub>GS</sub> =10V; I <sub>D</sub> =4A		1.2	1.6	Ω
I <sub>GSS</sub>	Gate Source Leakage Current	V <sub>GS</sub> = ± 16V; V <sub>DS</sub> = 0			± 10	uA
I <sub>DSS</sub>	Zero Gate Voltage Drain Current	V <sub>DS</sub> =720V; V <sub>GS</sub> = 0			250	uA
V <sub>SD</sub>	Diode Forward Voltage	I <sub>F</sub> =8A; V <sub>GS</sub> =0		1.1		V
t <sub>r</sub>	Rise time	V <sub>GS</sub> =10V; I <sub>D</sub> =4A; R <sub>L</sub> =7.5 Ω		250		ns
t <sub>on</sub>	Turn-on time			270		ns
t <sub>f</sub>	Fall time			200		ns
t <sub>off</sub>	Turn-off time			410		ns

## Notice:

ISC reserves the rights to make changes of the content herein the datasheet at any time without notification. The information contained herein is presented only as a guide for the applications of our products.

ISC products are intended for usage in general electronic equipment. The products are not designed for use in equipment which require specialized quality and/or reliability, or in equipment which could have applications in hazardous environments, aerospace industry, or medical field. Please contact us if you intend our products to be used in these special applications.

ISC makes no warranty or guarantee regarding the suitability of its products for any particular purpose, nor does ISC assume any liability arising from the application or use of any products, and specifically disclaims any and all liability, including without limitation special, consequential or incidental damages.