

# SPECIFICATION

DEVICE NAME : Power MOSFET

TYPE NAME : 2SK2849-01L.S

SPEC. No. :

Fuji Electric Co.,Ltd.

This Specification is subject to change without notice.

	DATE	NAME	APPROVED	Fuji Electric Co.,Ltd.	
DRAWN				DWG.NO.	
CHECKED					
					1/12

1. Scope  
This specifies Fuji power MOSFET 2SK2849-01L, S
2. Construction N-channel enhancement mode power MOSFET
3. Application for switching
4. Outview T-Pack L-TYPE Outview See to 5/12 page  
S-TYPE Outview See to 6/12 page
5. Absolute maximum ratings at  $T_c=25^\circ\text{C}$  (unless otherwise specified)

Description	Symbol	Characteristics	Unit	
Drain-source voltage	$V_{DS}$	200	V	
Drain-gate voltage	$V_{DGR}$	200	V	$R_{GS} = 20\text{K}\Omega$
Continuous Drain current	$I_D$	$\pm 18$	A	
Pulsed drain current	$I_{Dpulsw}$	$\pm 72$	A	
Gate-source voltage	$V_{GS}$	$\pm 30$	V	
Maximum power dissipation	$P_D$	50	W	
Operating and storage temperature range	$T_{ch}$	150	$^\circ\text{C}$	
	$T_{stg}$	-55 ~ +150	$^\circ\text{C}$	

6. Electrical characteristics at  $T_c=25^\circ\text{C}$  (unless otherwise specified)  
Static ratings

Description	Symbol	Conditions	Characteristics			Unit
			Min.	Typ.	Max.	
Drain-source breakdown voltage	$BV_{DSS}$	$I_D = 1\text{mA}$ $V_{GS} = 0\text{V}$	200			V
Gate threshold voltage	$V_{GS(th)}$	$I_D = 1\text{mA}$ $V_{DS} = V_{GS}$	2.5	3.0	3.5	V
Zero gate voltage drain current	$I_{DSS}$	$V_{DS} = 200\text{V}$ $V_{GS} = 0\text{V}$	$T_{ch} = 25^\circ\text{C}$	10	500	$\mu\text{A}$
			$T_{ch} = 125^\circ\text{C}$	0.2	1.0	mA
Gate-source leakage current	$I_{GSS}$	$V_{GS} = \pm 30\text{V}$ $V_{DS} = 0\text{V}$		10	100	nA
Drain-source on-state resistance	$R_{DS(on)}$	$I_D = 9\text{A}$ $V_{GS} = 10\text{V}$		0.15	0.18	$\Omega$

Dynamic ratings

Description	Symbol	Conditions	Characteristics			Unit
			Min.	Typ.	Max.	
Forward transconductance	$g_{fs}$	$I_D = 9A$ $V_{DS} = 25V$	4.0	9.0		S
Input capacitance	$C_{iss}$	$V_{DS} = 25V$ $V_{GS} = 0V$ $f = 1MHz$		1100	1650	pF
Output capacitance	$C_{oss}$			220	330	pF
Reverse transfer capacitance	$C_{rss}$			100	150	pF
Turn-on time	$t_{d(on)}$	$V_{CC} = 150V$ $V_{GS} = 10V$ $I_D = 18A$ $R_{GS} = 10\Omega$		15	30	ns
	$t_r$			80	120	ns
Turn-off time	$t_{d(off)}$			60	90	ns
	$t_f$			40	60	ns

Reverse diode

Description	Symbol	Conditions	Characteristics			Unit
			Min.	Typ.	Max.	
Avalanche capability	$I_{AV}$	$L = 100\mu H$ , $T_{CH} = 25^\circ C$ *see Fig1 and Fig2	18.0			V
Diode forward on-voltage	$V_{SD}$	$I_F = 2 \times I_{DR}$ $V_{GS} = 0V$ , $T_{CH} = 25^\circ C$		1.5	2.25	V
Reverse recovery time	$t_{rr}$	$I_F = I_{DR}$ $V_{GS} = 0V$ $-di_F/dt = 100A/\mu s$ $T_{CH} = 25^\circ C$		165		ns
Reverse recovery charge	$Q_{rr}$				1300	

7. Thermal resistance

Description	Symbol	Conditions	Characteristics			Unit
			Min.	Typ.	Max.	
Thermal resistance	$R_{th_{ch-c}}$				2.5	$^\circ C/W$
	$R_{th_{ch-a}}$				75.0	$^\circ C/W$

Fig.1 Test circuit

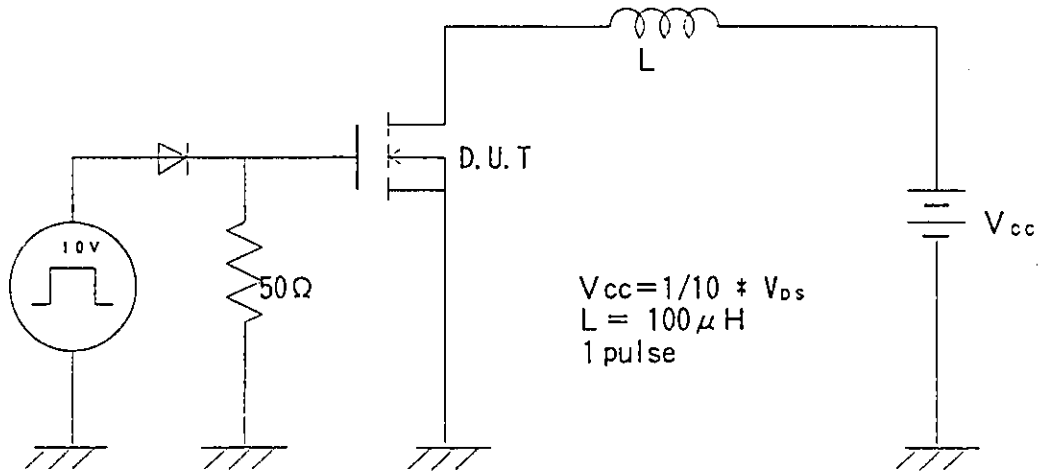
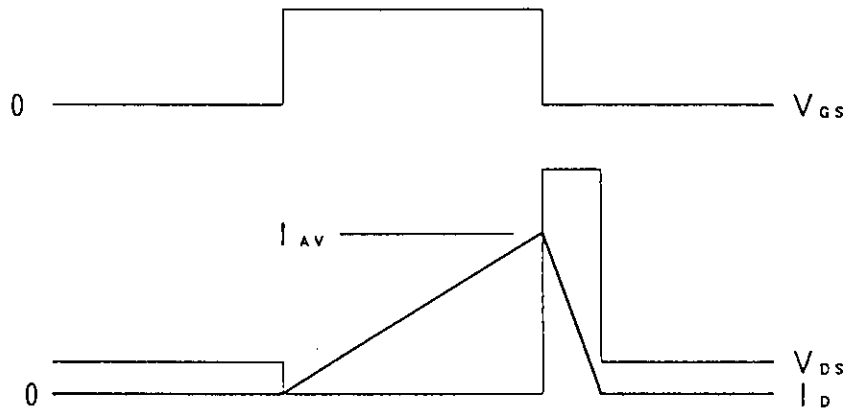
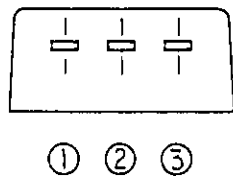
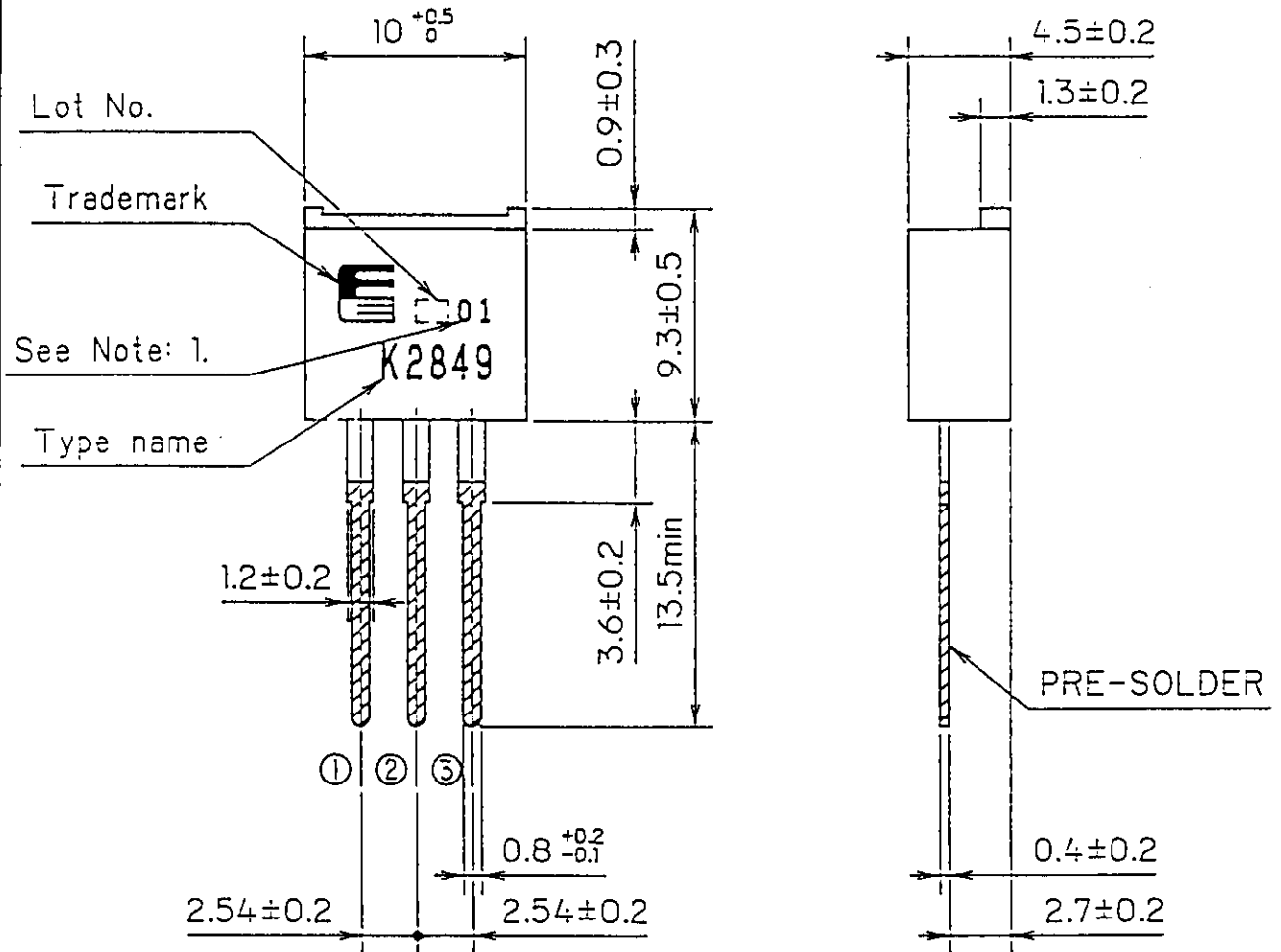


Fig.2 Operating waveforms



FUJI POWER MOS FET

TYPE : 2SK2849-01L



CONNECTION

- ① GATE
- ② DRAIN
- ③ SOURCE

Note: 1. Guaranteed mark of avalanche ruggedness.

DIMENSIONS ARE IN MILLIMETERS.

Fuji Electric Co., Ltd.

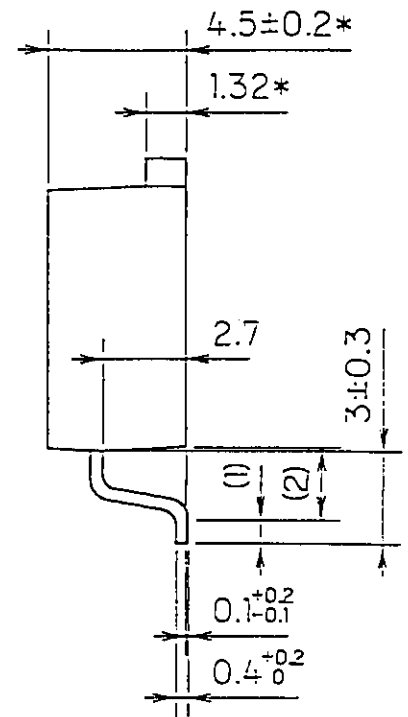
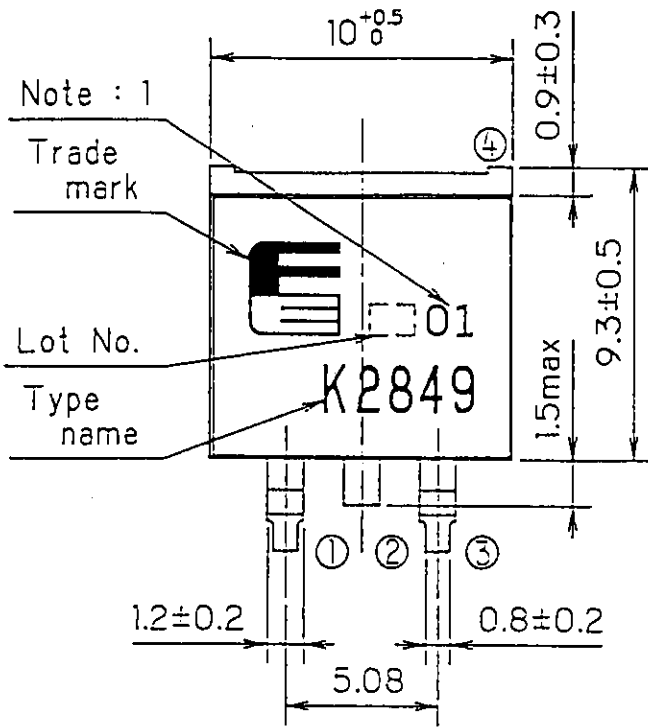
DWG. NO.

5/12

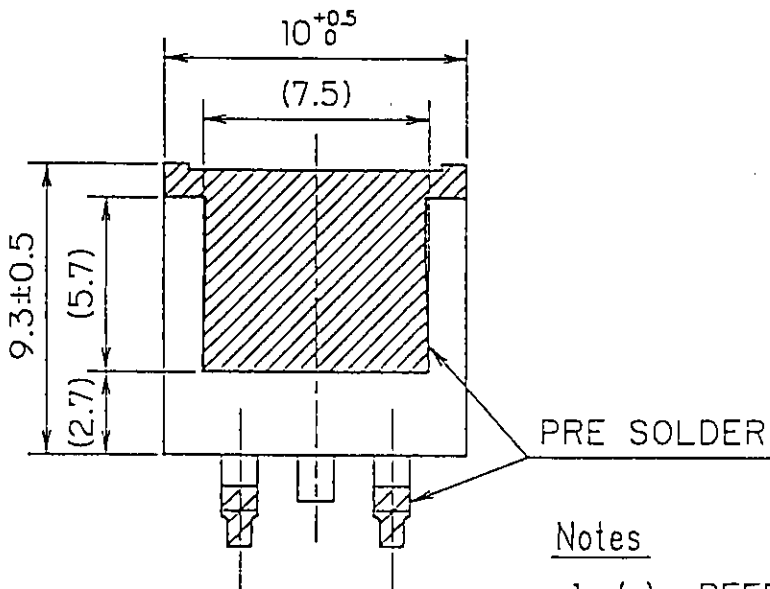
Y 0257-R-003a

FUJI POWER MOS FET

TYPE : 2SK2849-01S



BOTTOM VIEW



CONNECTION

- ① GATE
- ④ ② DRAIN
- ③ SOURCE

Notes

1. ( ) : REFERENCE DIMENSIONS.
  2. \* : DO NOT INCLUDE SOLDER.
- Note 1. Guaranteed mark of avalanche ruggedness.

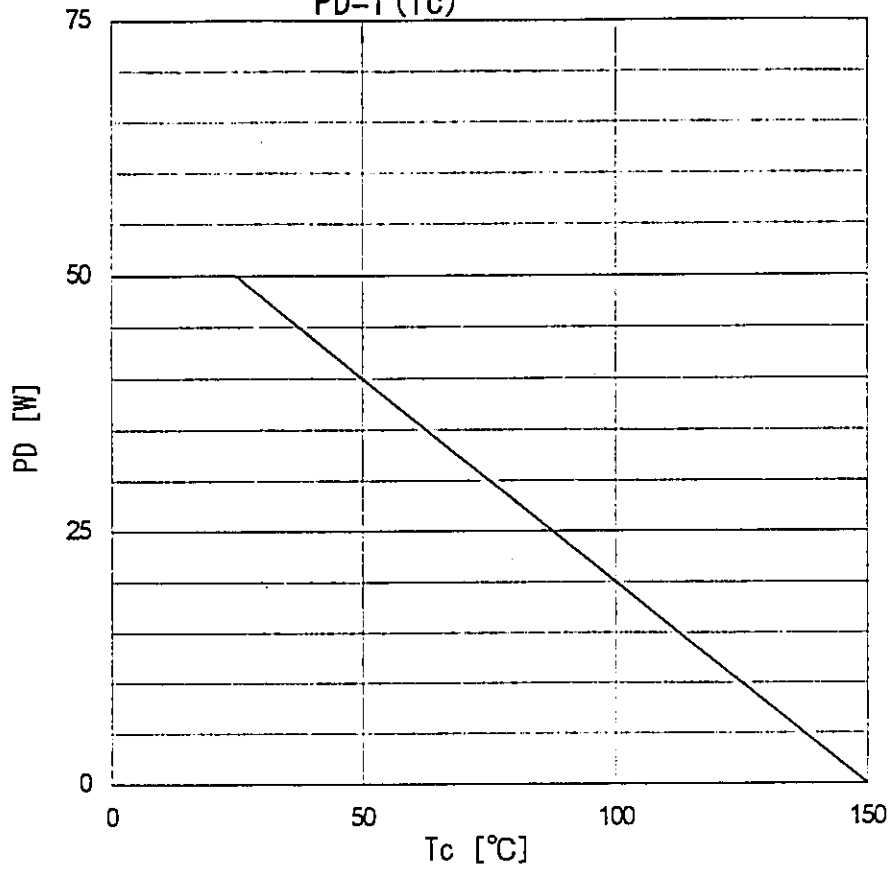
DIMENSIONS ARE IN MILLIMETERS.

Fuji Electric Co., Ltd.

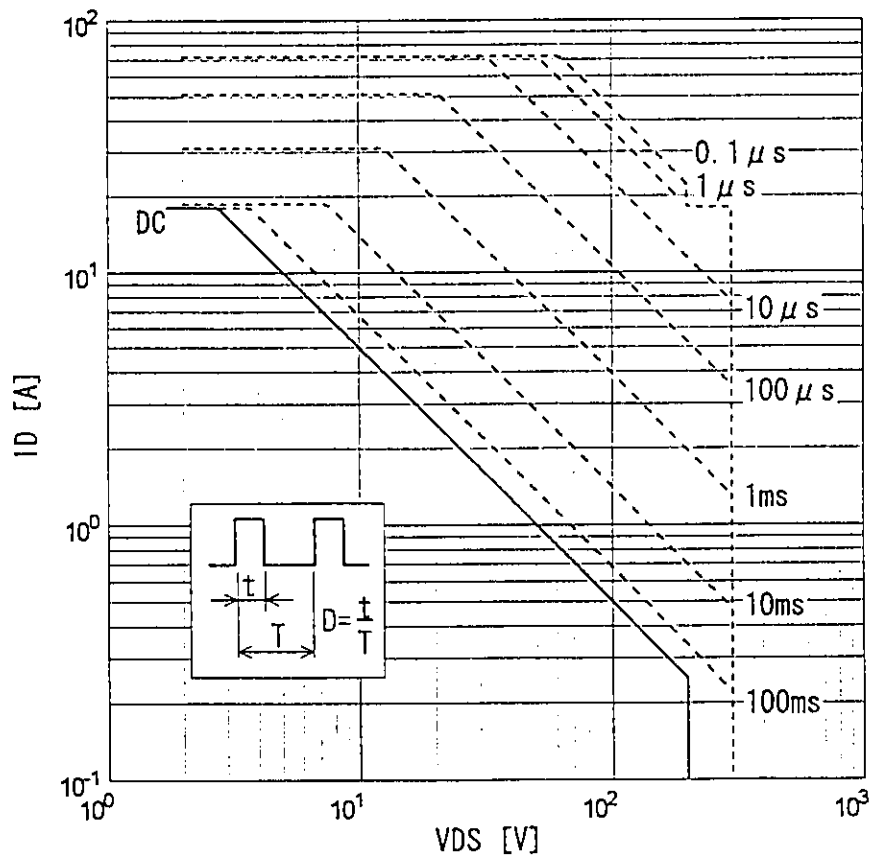
DWG. NO.

6/12

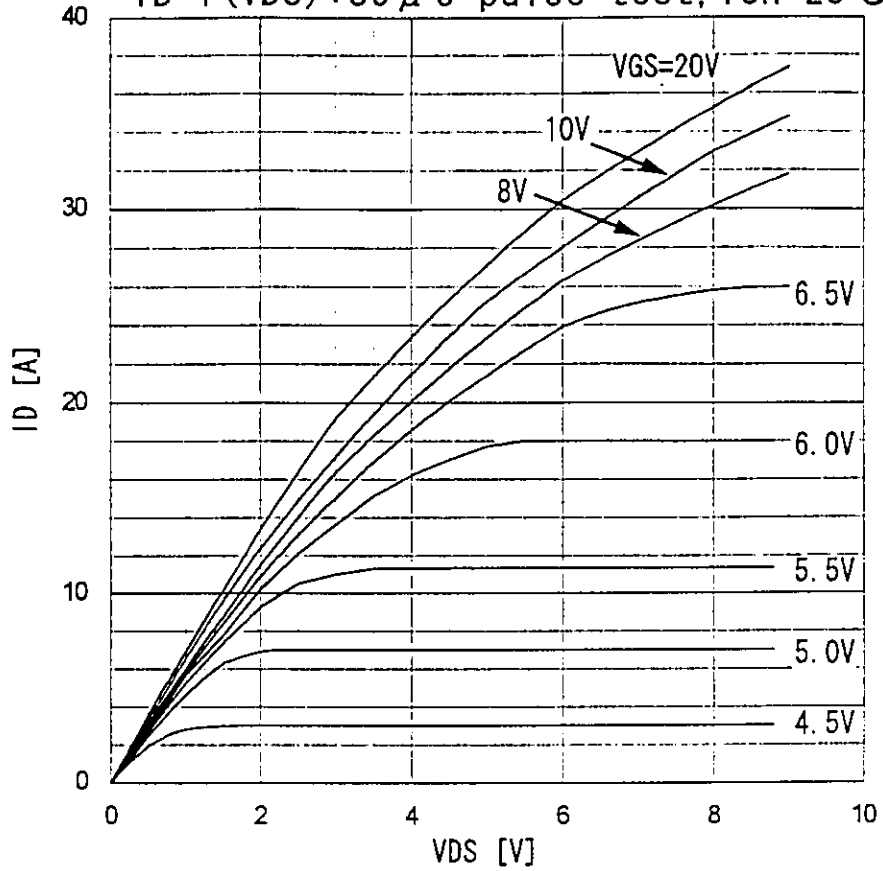
Power Dissipation  
 $PD=f(T_c)$



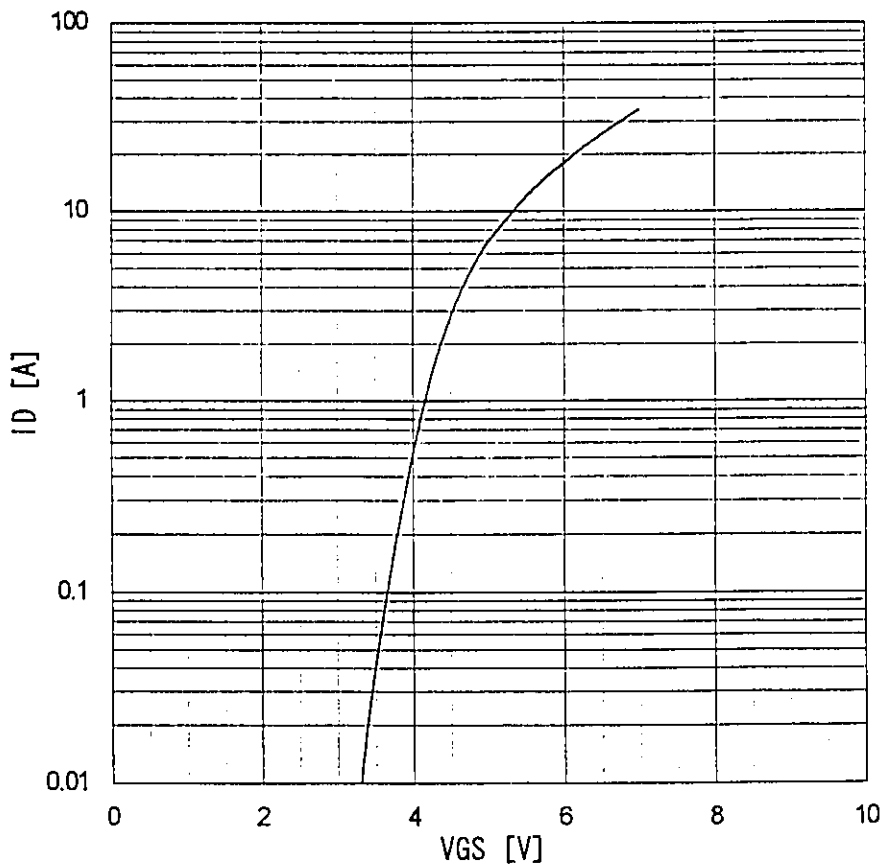
Safe operating area  
 $ID=f(V_{DS}) : D=0.01, T_c=25^\circ\text{C}$



Typical output characteristics  
 $I_D = f(V_{DS}) : 80 \mu s$  pulse test,  $T_{ch} = 25^\circ C$



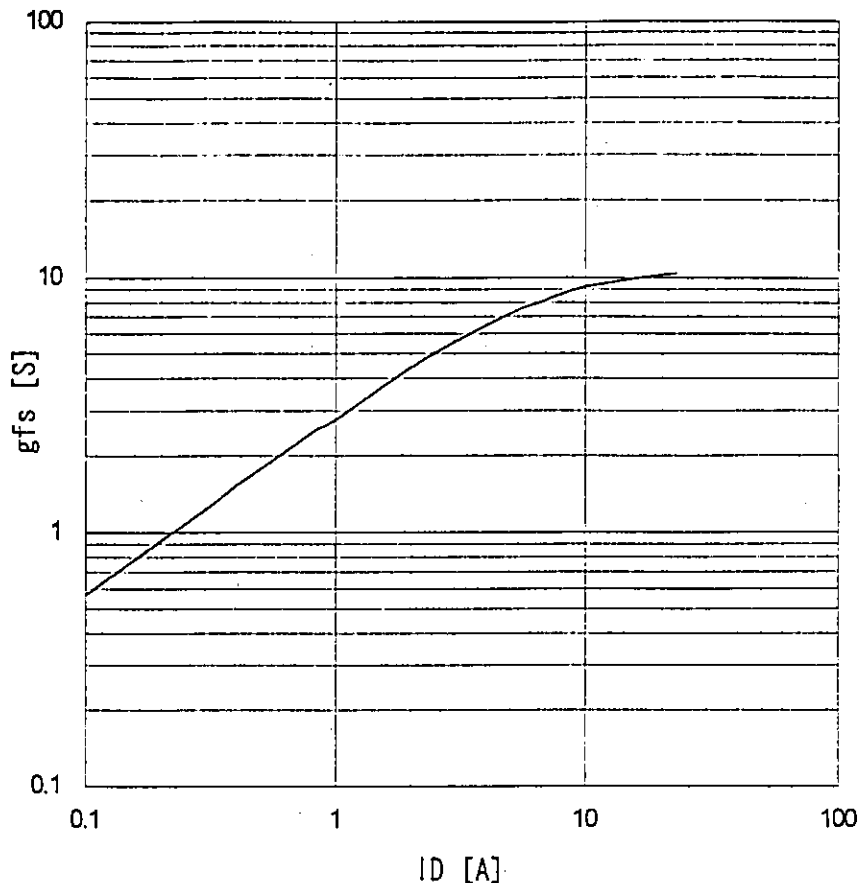
Typical transfer characteristic  
 $I_D = f(V_{GS}) : 80 \mu s$  pulse test,  $V_{DS} = 25V$ ,  $T_{ch} = 25^\circ C$





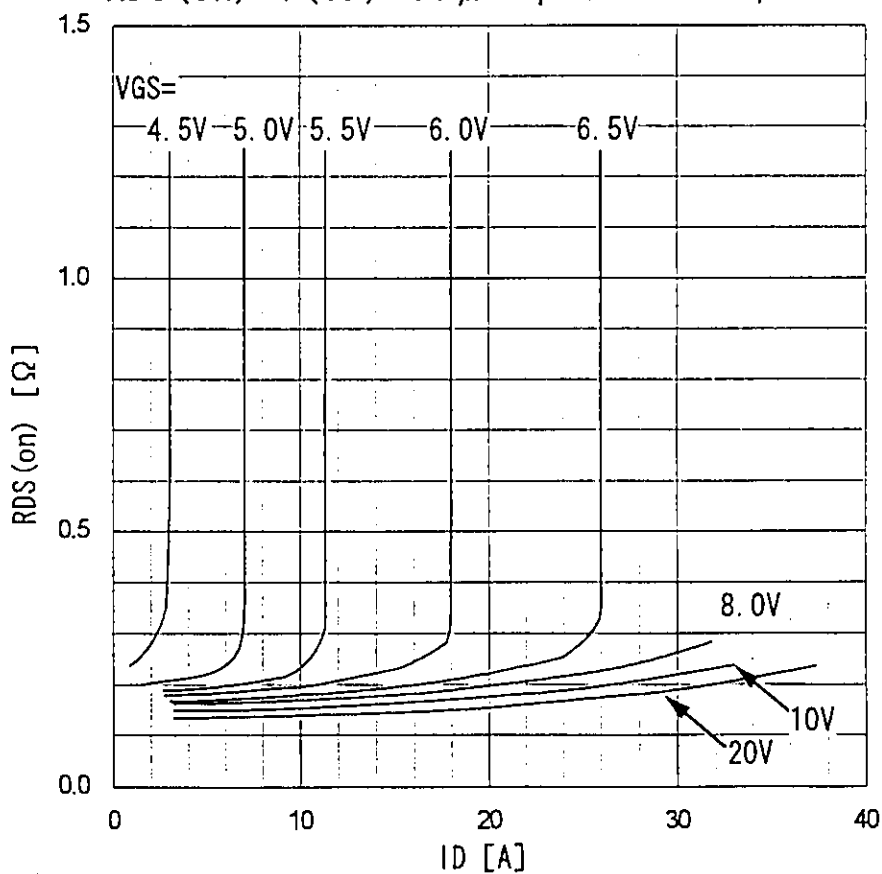
Typical transconductance

$g_{fs} = f(I_D)$ : 80  $\mu$ s pulse test,  $V_{DS} = 25V$ ,  $T_{ch} = 25^\circ C$

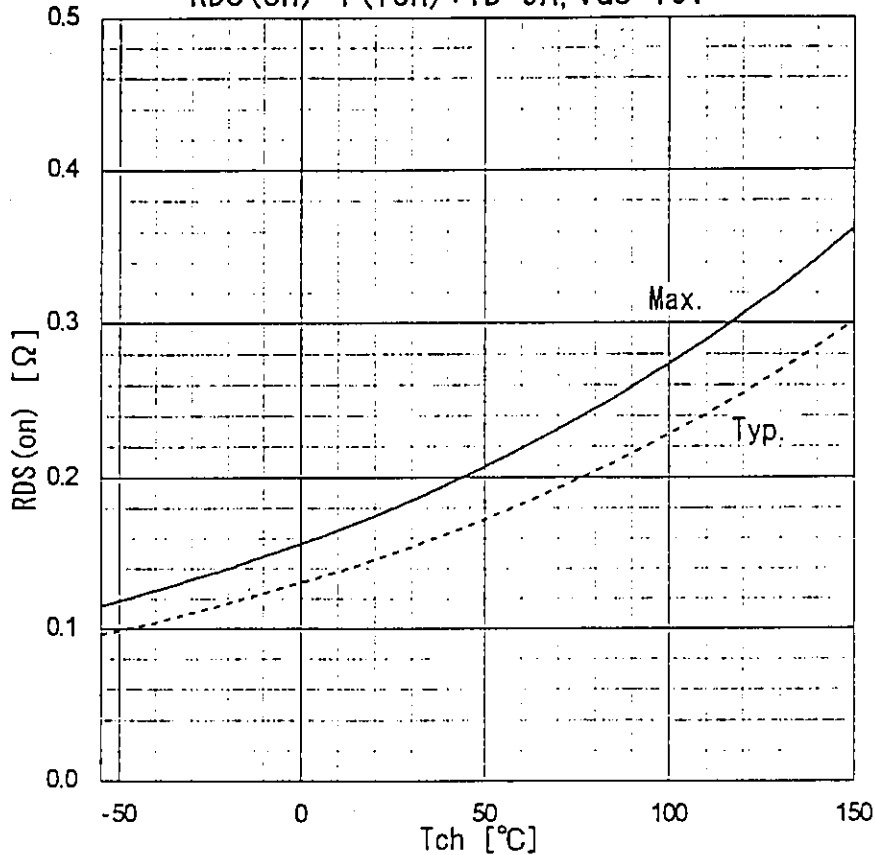


Typical drain-source on-state resistance

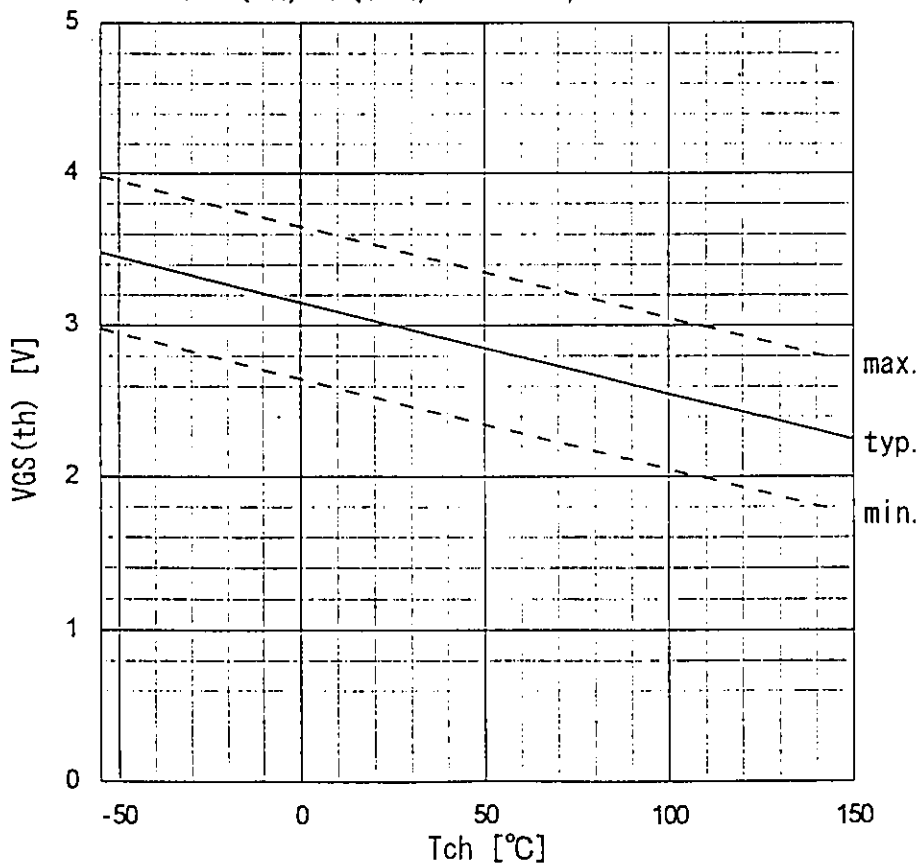
$R_{DS(on)} = f(I_D)$ : 80  $\mu$ s pulse test,  $T_{ch} = 25^\circ C$



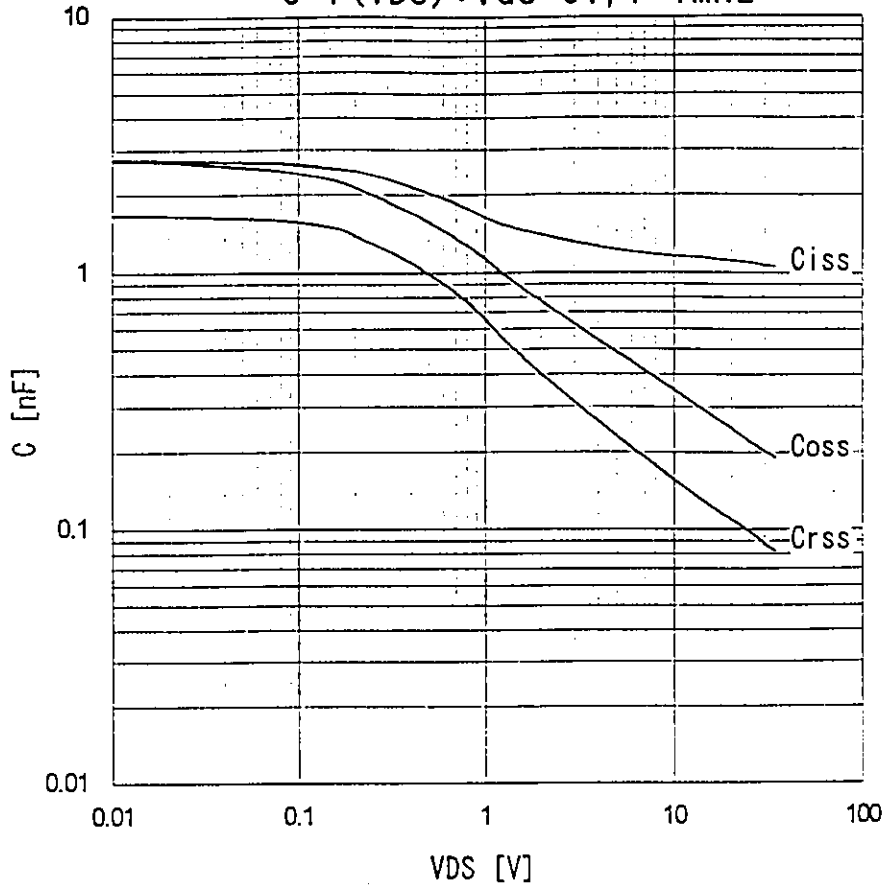
Drain-source on-state resistance  
 $R_{DS(on)} = f(T_{ch}) : I_D = 9A, V_{GS} = 10V$



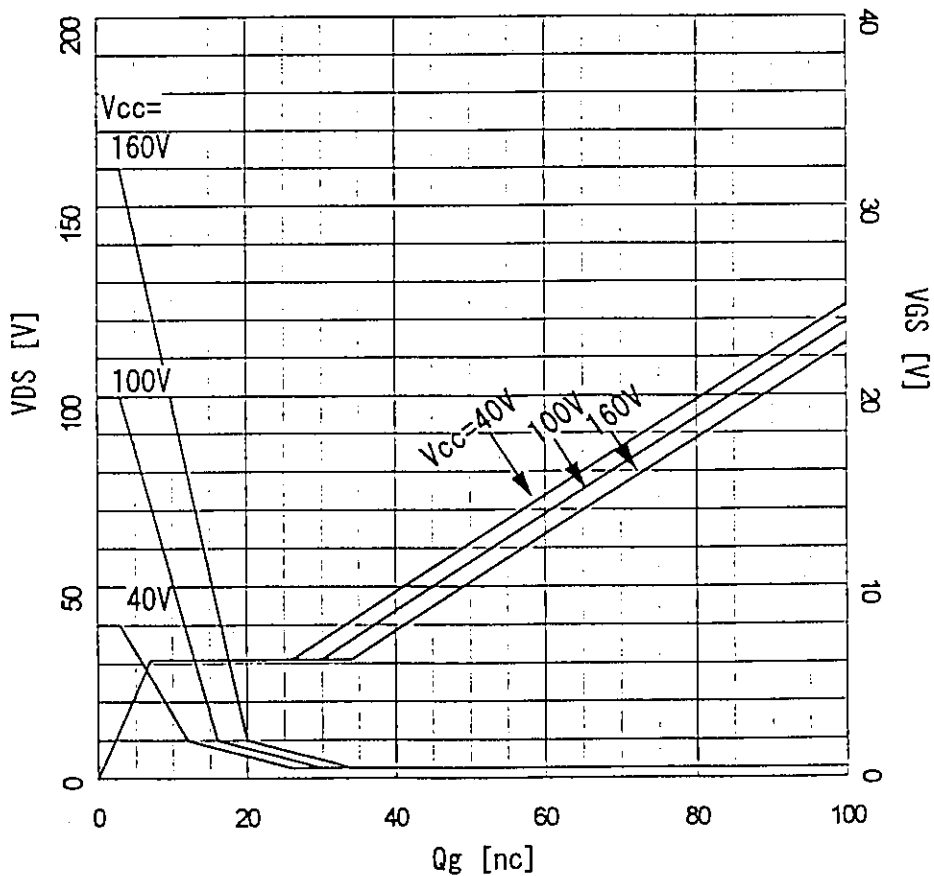
Gate threshold voltage  
 $V_{GS(th)} = f(T_{ch}) : I_D = 1mA, V_{DS} = V_{GS}$



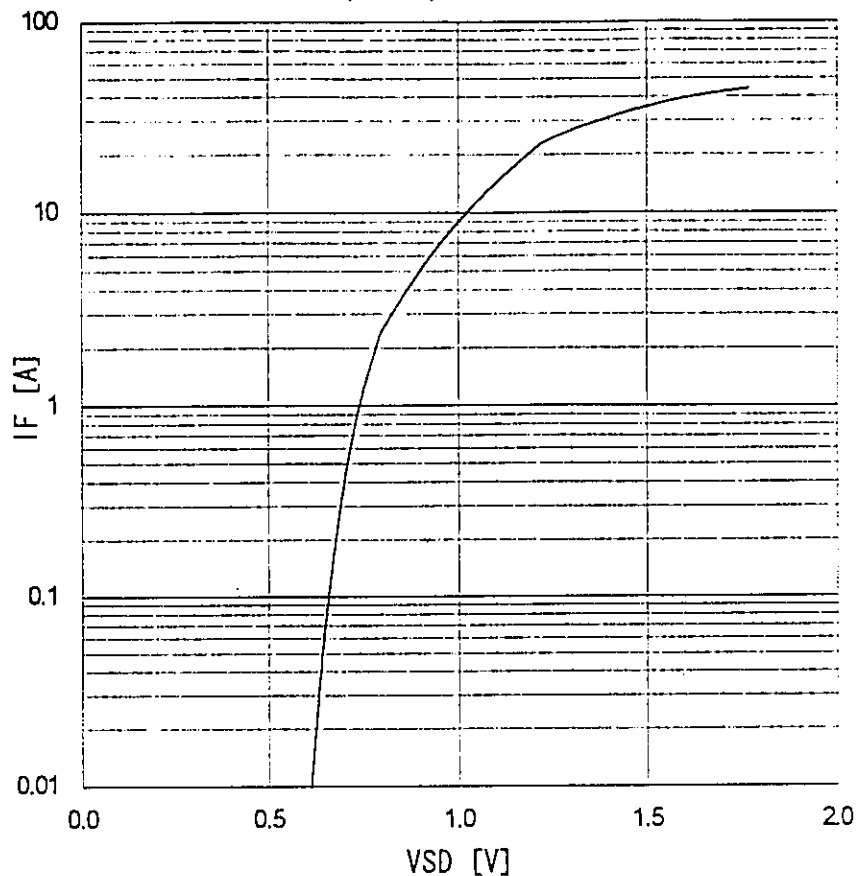
Typical Capacitances  
 $C=f(V_{DS}) : V_{GS}=0V, f=1MHz$



Typical gate charge characteristics  
 $V_{GS}=f(Q_g) : I_D=18A$



Forward characteristic of reverse diode  
 $I_F = f(V_{SD}) : 80 \mu s$  pulse test  $T_{ch} = 25^\circ C$   $V_{GS} = 0V$



Transient thermal impedance  
 $Z_{th}(ch-c) = f(t)$  parameter:  $D = t/T$

