

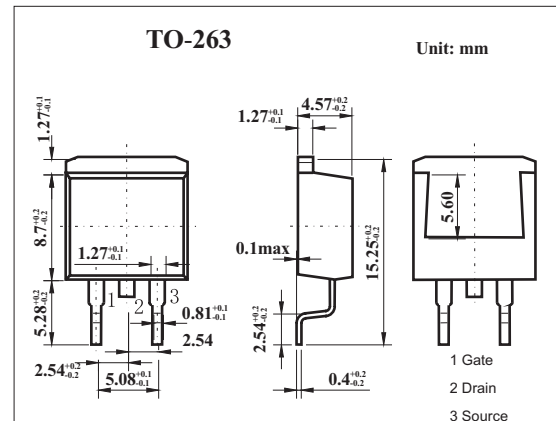
SMD Type

MOSFET

MOS Field Effect Transistor 2SK3405

Features

- 4.5-V drive available
- Low on-state resistance
 $R_{DS(on)1} = 9.0\text{m}\Omega$ MAX. ($V_{GS} = 10\text{V}$, $I_D = 24\text{A}$)
- Low gate charge
 $Q_G = 34\text{ nC}$ TYP. ($I_D = 48\text{A}$, $V_{DD} = 16\text{V}$, $V_{GS} = 10\text{V}$)
- Built-in gate protection diode
- Surface mount device available



Absolute Maximum Ratings $T_a = 25^\circ\text{C}$

Parameter	Symbol	Rating	Unit
Drain to source voltage	V_{DSS}	20	V
Gate to source voltage	V_{GSS}	± 20	V
Drain current	I_D	± 48	A
	I_{dp}^*	± 192	A
Power dissipation	$T_c=25^\circ\text{C}$	50	W
	$T_A=25^\circ\text{C}$	1.5	W
Channel temperature	T_{ch}	150	$^\circ\text{C}$
Storage temperature	T_{stg}	-55 to +150	$^\circ\text{C}$

* $PW \leq 10\ \mu\text{s}$, Duty Cycle $\leq 1\%$

Electrical Characteristics $T_a = 25^\circ\text{C}$

Parameter	Symbol	Testconditions	Min	Typ	Max	Unit
Drain cut-off current	I_{DSS}	$V_{DS}=20\text{V}, V_{GS}=0$			10	μA
Gate leakage current	I_{GSS}	$V_{GS}=\pm 20\text{V}, V_{DS}=0$			± 10	μA
Gate cutoff voltage	$V_{GS(off)}$	$V_{DS}=10\text{V}, I_D=1\text{mA}$	1.5		2.5	V
Forward transfer admittance	$ Y_{fs} $	$V_{DS}=10\text{V}, I_D=24\text{A}$	12.5			S
Drain to source on-state resistance	$R_{DS(on)1}$	$V_{GS}=10\text{V}, I_D=24\text{A}$		6.5	9.0	$\text{m}\Omega$
	$R_{DS(on)2}$	$V_{GS}=4.5\text{V}, I_D=24\text{A}$		9.9	14.0	$\text{m}\Omega$
Input capacitance	C_{iss}	$V_{DS}=10\text{V}, V_{GS}=0, f=1\text{MHz}$		1800		pF
Output capacitance	C_{oss}			770		pF
Reverse transfer capacitance	C_{rss}			400		pF
Turn-on delay time	t_{on}			21		ns
Rise time	t_r	$I_D=24\text{A}, V_{GS(on)}=10\text{V}, R_G=10\Omega, V_{DD}=10\text{V}$		13		ns
Turn-off delay time	t_{off}			64		ns
Fall time	t_f			25		ns
Total Gate Charge	Q_G	$I_D=48\text{A}, V_{DD}=16\text{V}, V_{GS}=10\text{V}$		34		nC
Gate to Source Charge	Q_{GS}			6.6		nC
Gate to Drain Charge	Q_{GD}			11		nC