



Single Phase Bridge Rectifier

Features

- Plastic package has UL flammability Classification 94V-0
- This series is UL recognized under component Index, file number E127707
- High surge current capability
- High temperature soldering guaranteed:
260°C/10 seconds
- RoHS and REACH Compliance

Mechanical Data

Case:	Molded plastic body
Polarity	Polarity symbols marked on case
Terminals:	Leads solderable per MIL-STD-202E method 208C
Mounting torque	/
Mounting position:	Any
Weight:	0.05 ounce, 1.42 gram

Maximum Ratings ($T_{Ambient}=25^{\circ}C$ unless noted otherwise)

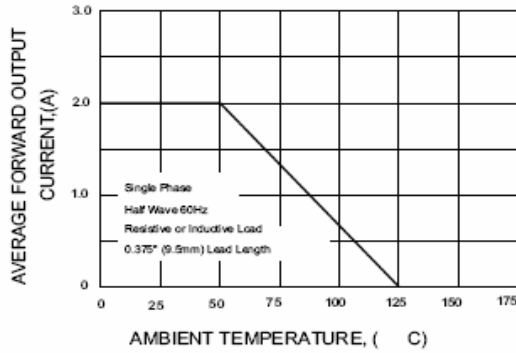
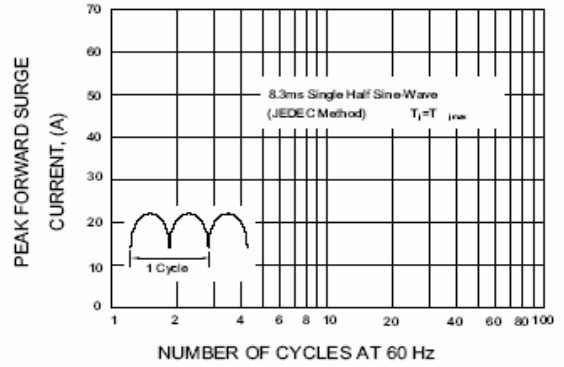
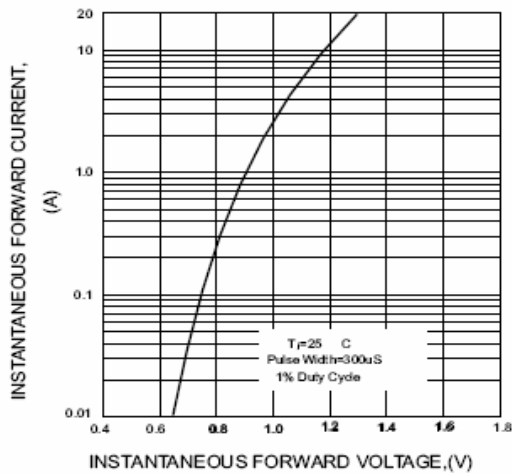
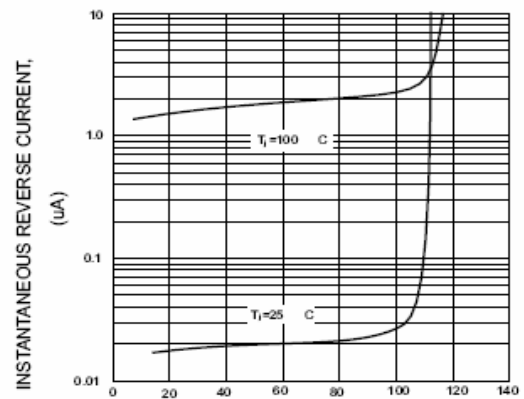
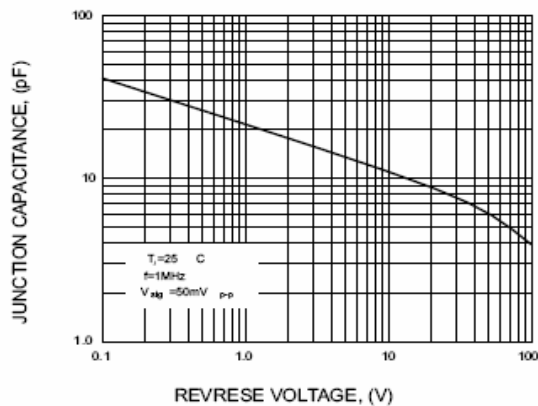
Symbol	Description	2W005M	2W01M	2W02M	2W04M	2W06M	2W08M	2W10M	Unit	Conditions
VRRM	Max Recurrent Peak Reverse Voltage	50	100	200	400	600	800	1000	V	
VRMS	Max RMS Voltage	35	70	140	280	420	560	700	V	
VDC	Max DC Blocking Voltage	50	100	200	400	600	800	1000	V	
I(AV)	Max Average Forward Rectified Current	2.0							A	@TA=50°C (Note 1)
IFSM	Peak Forward Surge Current	50							A	8.3ms single half sine-wave (JEDEC method)
TJ,TSTG	Operating and Storage Temperature Range	-55 to +125, -55 to +150							°C	
I2t	Rating for Fusing	10							A2s	T<8.3mS

Electrical Characteristics ($T_{Ambient}=25^{\circ}C$ unless noted otherwise)

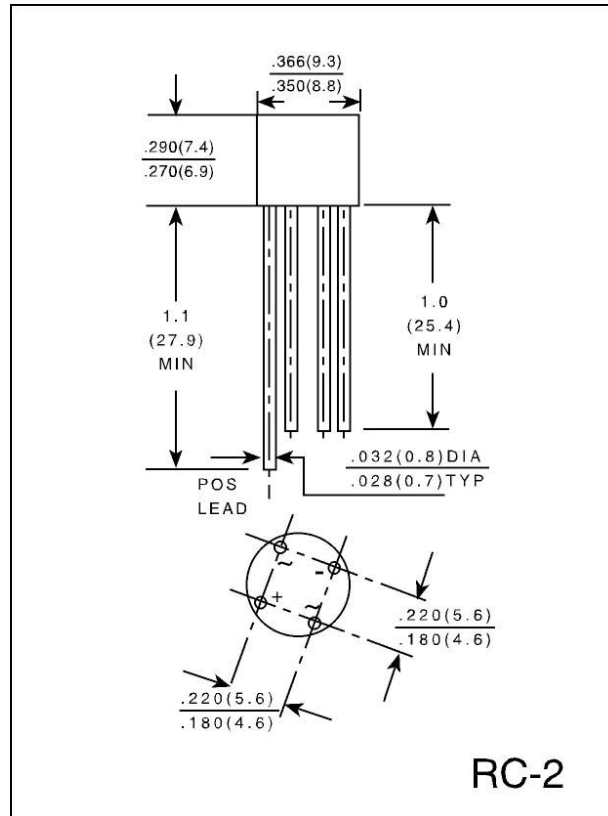
Symbol	Description	2W005M	2W01M	2W02M	2W04M	2W06M	2W08M	2W10M	Unit	Conditions
VF	Max Instantaneous Forward Voltage	1.0							V	Drop per Bridge element 1.0A
IR	Max DC Reverse Current at Rated DC Blocking Voltage	10							μA	TA=25°C
		500							mA	TA=100°C
Rθ-Ja	Typical Thermal Resistance	40							°C/W	Note 1
CJ	Typical Junction Capacitance	15							pF	Measured at 1.0MHz/4.0V

Note:

1. Mounted on P.C.Board with 0.22" x 0.22" (5.5 x 5.5mm) copper pads and 0.375" (9.5mm) lead length

2W005M ~ 2W10M
RATING AND CHARACTERISTIC CURVES 2W005M THRU 2W10M
**FIG.1-DERATING CURVE FOR
OUTPUT RECTIFIED CURRENT**

**FIG.2-MAXIMUM NON-REPETITIVE PEAK
FORWARD SURGE CURRENT PER ELEMENT**

**FIG.3-TYPICAL FORWARD CHARACTERISTICS
PER BRIDGE ELEMENT**

**FIG.4-TYPICAL REVERSE CHARACTERISTICS
PER BRIDGE ELEMENT**

**FIG.5-TYPICAL JUNCTION CAPACITANCE
PER BRIDGE ELEMENT**


Dimensions in inches (mm)



Contact us:

US HEADQUARTERS

MEI SEMI INC.

2902 Corvin Drive, Santa Clara, CA95051, USA

Tel: 1-408-733-0808 Fax: 1-408-733-2828