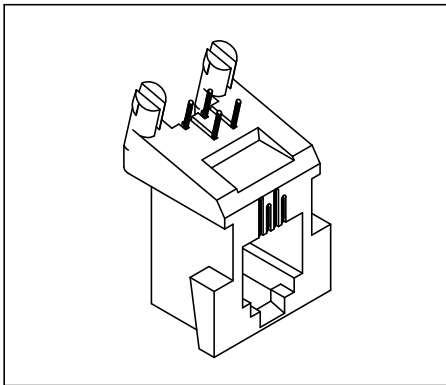


# Oblique Angle Entry Modular Telephone Jack

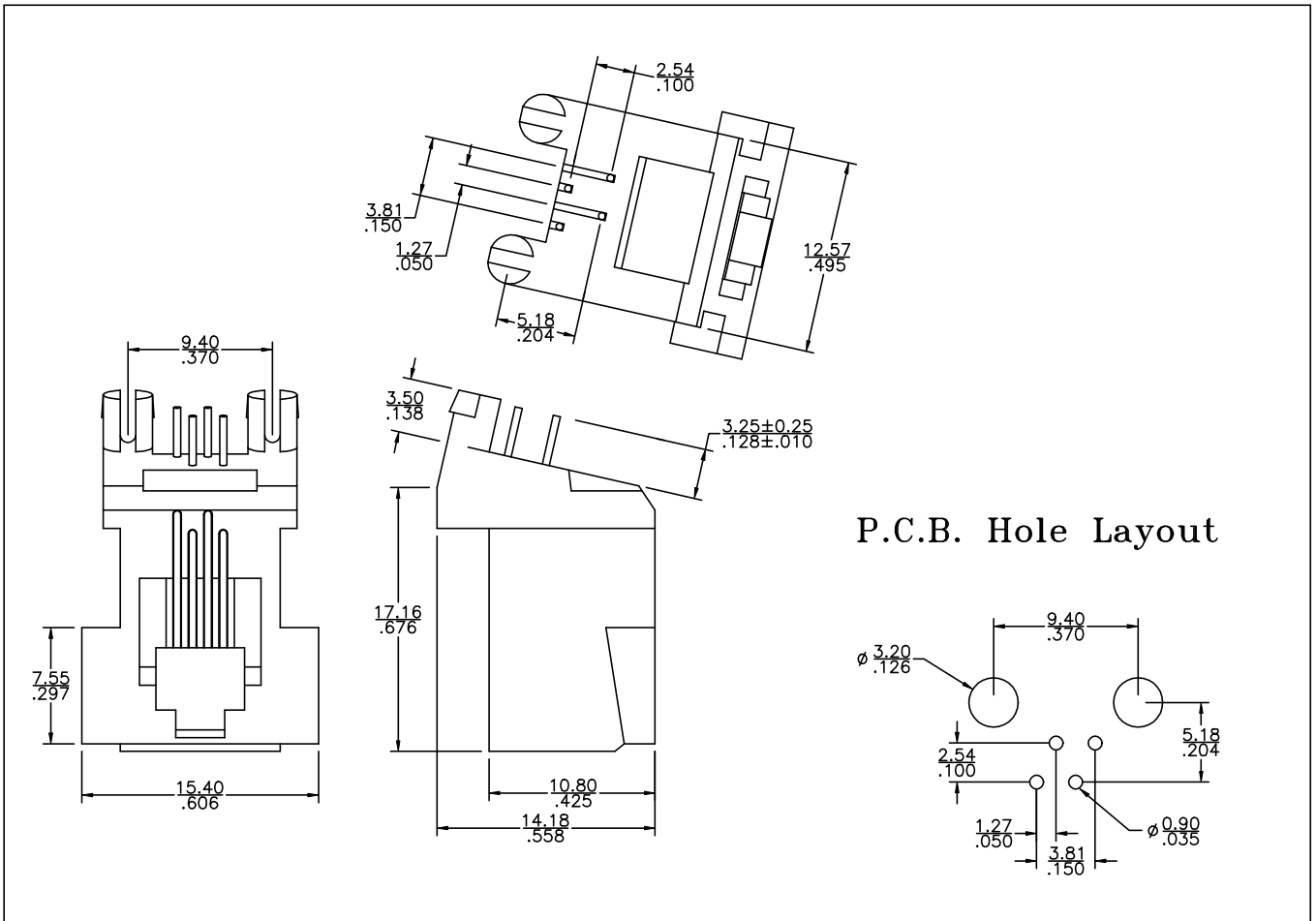
(664-A Type)

3026 Series



## Material and Finish:

- \* Housing: Standard Material: Glass Filled Polyester UL94V-0.  
Standard Color : Gray.
- \* Contact: 0.45mm(0.018") Diameter Phosphor Bronze.  
Gold Plating over Nickel.
- \* Cavity conforms to FCC rules and regulations part 68,  
subpart F.



## Ordering Information

Series No.	No. of Position	No. of Contact	Contact Plating
3026	4	4	1
	4	4	6 $\mu$ " 1
			15 $\mu$ " 2
			30 $\mu$ " 3
			50 $\mu$ " 4

SINGATRON U.S.A. Tel: (909)464-1883 Fax: (909)464-1884 Email: sales@singatron.com