

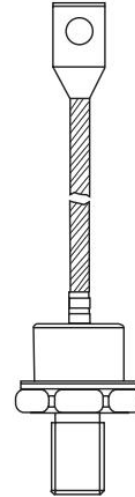
Standard Recovery Diodes

FEATURES

- High surge current capability
- Wide current range
- High voltage ratings up to 2500V
- Minimum Lot-to-Lot variations for robust device performance and reliable operation

APPLICATIONS

- Battery charges
- Converters
- Power supplies
- Machine tool controls



U = Stud Normal Polarity (Cathode to Stud)

UR = Stud Reverse Polarity (Anode to Stud)

ABSOLUTE MAXIMUM RATINGS

SYMBOL	PARAMETER	CONDITIONS		VALUE	UNIT
V_{RRM}	Repetitive Peak Reverse Voltage			2500	V
$I_{F(AV)}$	Average Forward Current	$T_c=120^{\circ}\text{C}$, 180° conduction, half sine wave		300	A
I_{FSM}	Surge Forward Current	t=10ms	No voltage reappplied	6550	A
		t=8.3ms		6850	
		t=10ms	100% V_{RRM} reappplied	5500	
		t=8.3ms		5750	
I^2t	I^2t for fusing	t=10ms	No voltage reappplied	214	KA ₂ S
		t=8.3ms		195	
		t=10ms	100% V_{RRM} reappplied	151	
		t=8.3ms		138	
T_J	Junction Temperature			-65~200	°C
T_{stg}	Storage Temperature Range			-65~200	°C

THERMAL CHARACTERISTICS

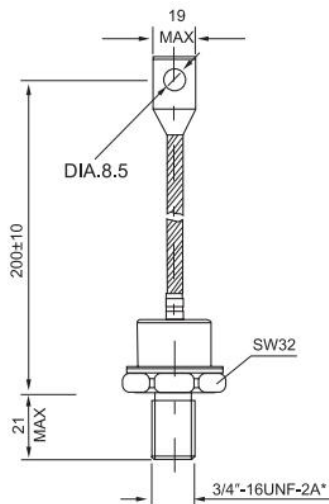
SYMBOL	PARAMETER	MAX	UNIT
$R_{th\ j-c}$	Thermal Resistance, Junction to Case	0.18	°C/W

ELECTRICAL CHARACTERISTICS

SYMBOL	PARAMETER	CONDITIONS	MAX	UNIT
V_{FM}	Forward Voltage drop	$I_F = 942A, T_J = 25^\circ C$	1.4	V

PACKAGE OUTLINE

Dimensions in mm (1mm = 0.0394")



*FOR METRIC DEVICE: M16 × 1.5 / M20 × 1.5

NOTICE:

ISC reserves the rights to make changes of the content herein the datasheet at any time without notification. The information contained herein is presented only as a guide for the applications of our products.

ISC products are intended for usage in general electronic equipment. The products are not designed for use in equipment which require specialized quality and/or reliability, or in equipment which could have applications in hazardous environments, aerospace industry, or medical field. Please contact us if you intend our products to be used in these special applications. ISC makes no warranty or guarantee regarding the suitability of its products for any particular purpose, nor does ISC assume any liability arising from the application or use of any products, and specifically disclaims any and all liability, including without limitation special, consequential or incidental damages.