

24BYJ48/28BYJ48/30BYJ46



Application:  
mainly used  
for air-conditioners...

24BYJ48 Motor Specification

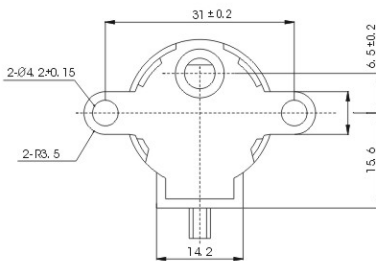
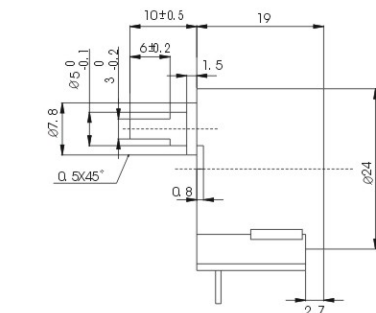
No. of phases	4	Voltage	12VDC
Current	40mA	Resistance	300 Ω
Step angle	5.625	Reduction Ratio	1:64
No-load pull-out frequency	1000pps	No-load pull-in frequency	500pps
Pull-in torque	≥29.4 mN . m		
Wiring indications	A (orange) , B (yellow) , C (blue) D (grey) , E (red,min-point)		

28BYJ48 Motor Specification

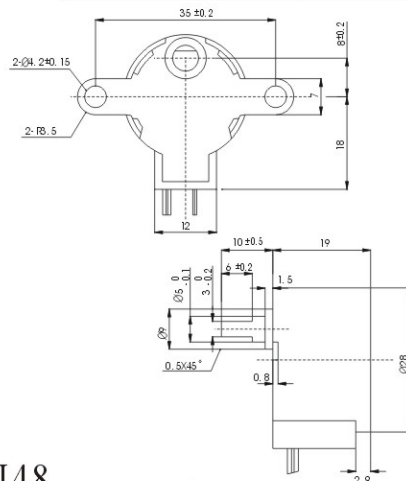
No. f phases	4	Voltage	12VDC
Current	40mA	Resistance	300 Ω
Step angle	5.625	Reduction Ratio	1:64
No-load pull-out frequency	1000pps	No-load pull-in frequency	500pps
Pull-in torque	≥29.4 mN . m		
Wiring indications	A (orange) , B (yellow) , C (blue) D (grey) , E (red,min-point)		

30BYJ46 Motor Specification

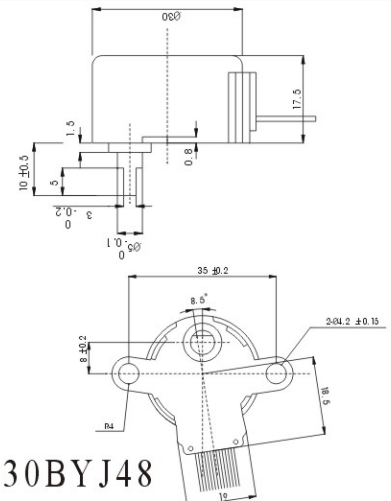
No. f phases	4	Voltage	12VDC
Current	40mA	Resistance	300 Ω
Step angle	5.625	Reduction Ratio	1:85.25
No-load pull-out frequency	800pps	No-load pull-in frequency	500pps
Pull-in torque	≥34.3 mN . m		
Wiring indications	A (orange) , B (black) , C (white) D (yellow) , E (red,mid-point)		



24BYJ48



28BYJ48



30BYJ48