

SHINDENGEN

Schottky Rectifiers (SBD)

Dual

DF30SC3ML

30V 30A

FEATURES

- SMT
- Tj150
- Low $V_F=0.45V$
- P_{RRSM} avalanche guaranteed
- High current capacity with Small Package

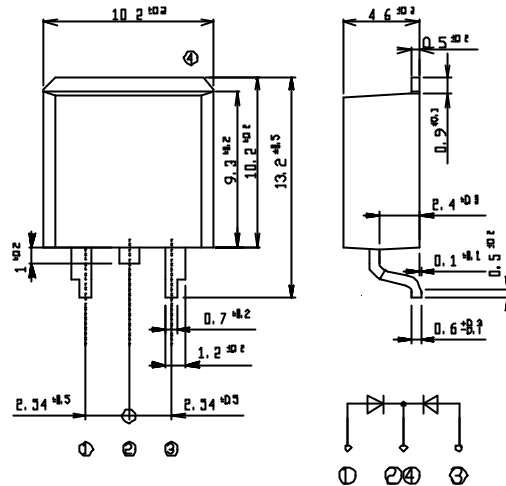
APPLICATION

- Switching power supply
- DC/DC converter
- Home Appliances, Office Equipment
- Telecommunication

OUTLINE DIMENSIONS

Case : STO-220

Unit : mm



RATINGS

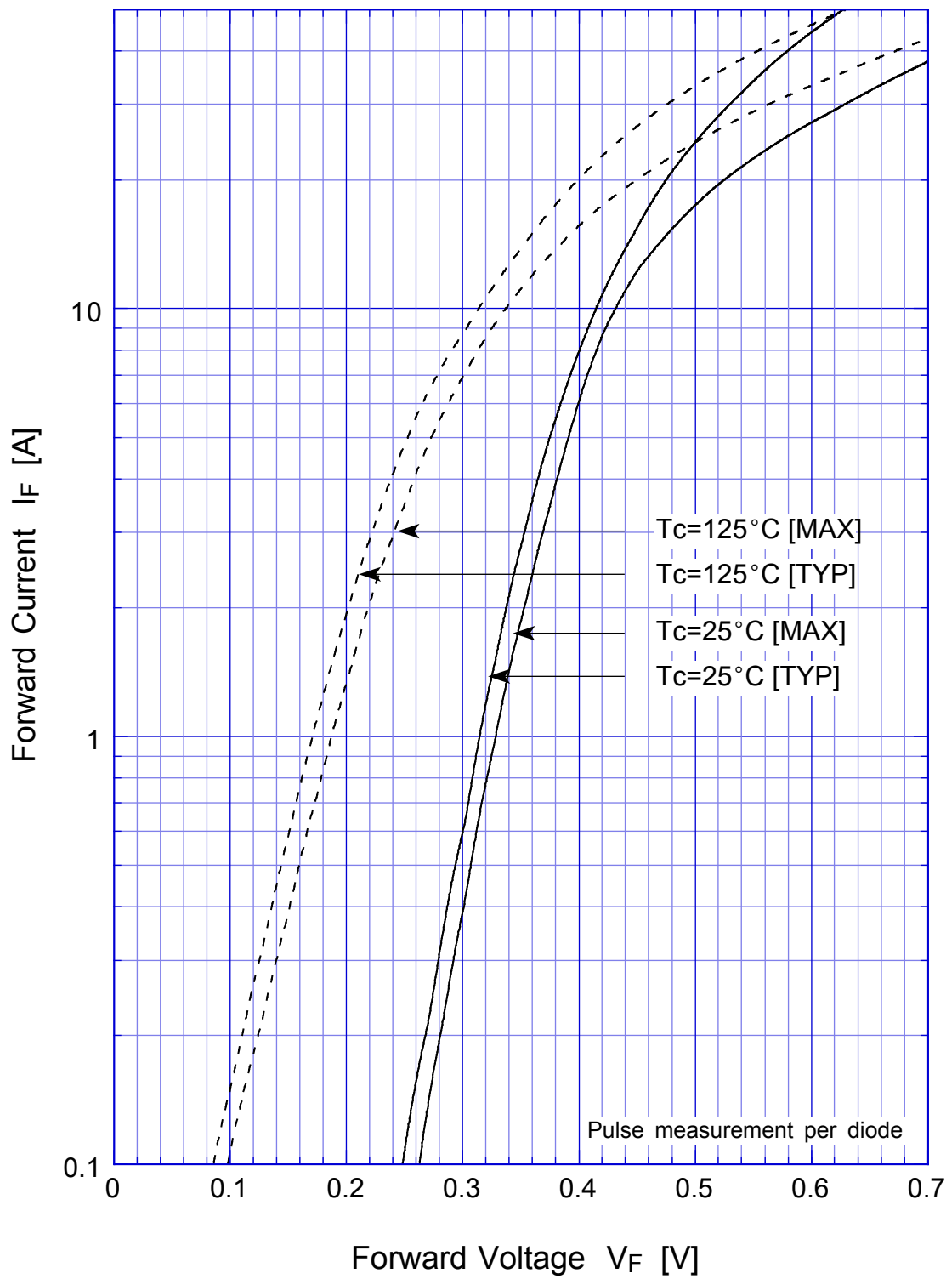
Absolute Maximum Ratings (If not specified $T_c=25$)

Item	Symbol	Conditions	Ratings	Unit
Storage Temperature	T_{stg}		-55 ~ 150	
Operating Junction Temperature	T_j		150	
Maximum Reverse Voltage	V_{RM}		30	V
Repetitive Peak Surge Reverse Voltage	V_{RRSM}	Pulse width 0.5ms, duty 1/40	35	V
Average Rectified Forward Current	I_o	50Hz sine wave, R-load, Rating for each diode $I_o/2$, $T_c=119$	30	A
Peak Surge Forward Current	I_{FSM}	50Hz sine wave, Non-repetitive 1 cycle peak value, $T_j=25$	350	A
Repetitive Peak Surge Reverse Power	P_{RRSM}	Pulse width 10 μ s, Rating of per diode, $T_j=25$	1000	W

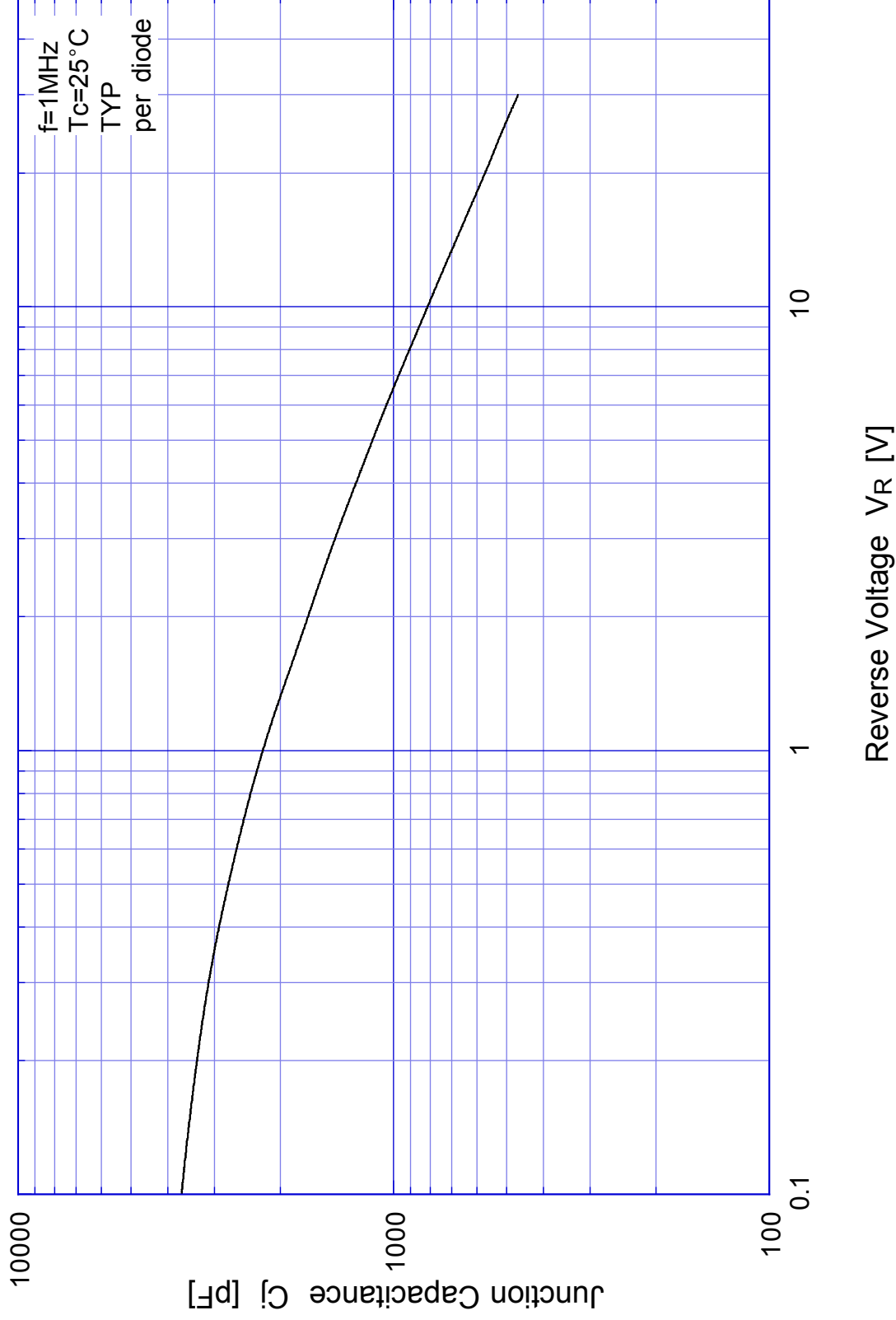
Electrical Characteristics (If not specified $T_c=25$)

Item	Symbol	Conditions	Ratings	Unit
Forward Voltage	V_F	$I_F=12.5A$, Pulse measurement, Rating of per diode	Max.0.45	V
Reverse Current	I_R	$V_R=V_{RM}$, Pulse measurement, Rating of per diode	Max.10	mA
Junction Capacitance	C_j	$f=1MHz$, $V_R=10V$, Rating of per diode	Typ.820	pF
Thermal Resistance	θ_{jc}	junction to case	Max.1.6	/W

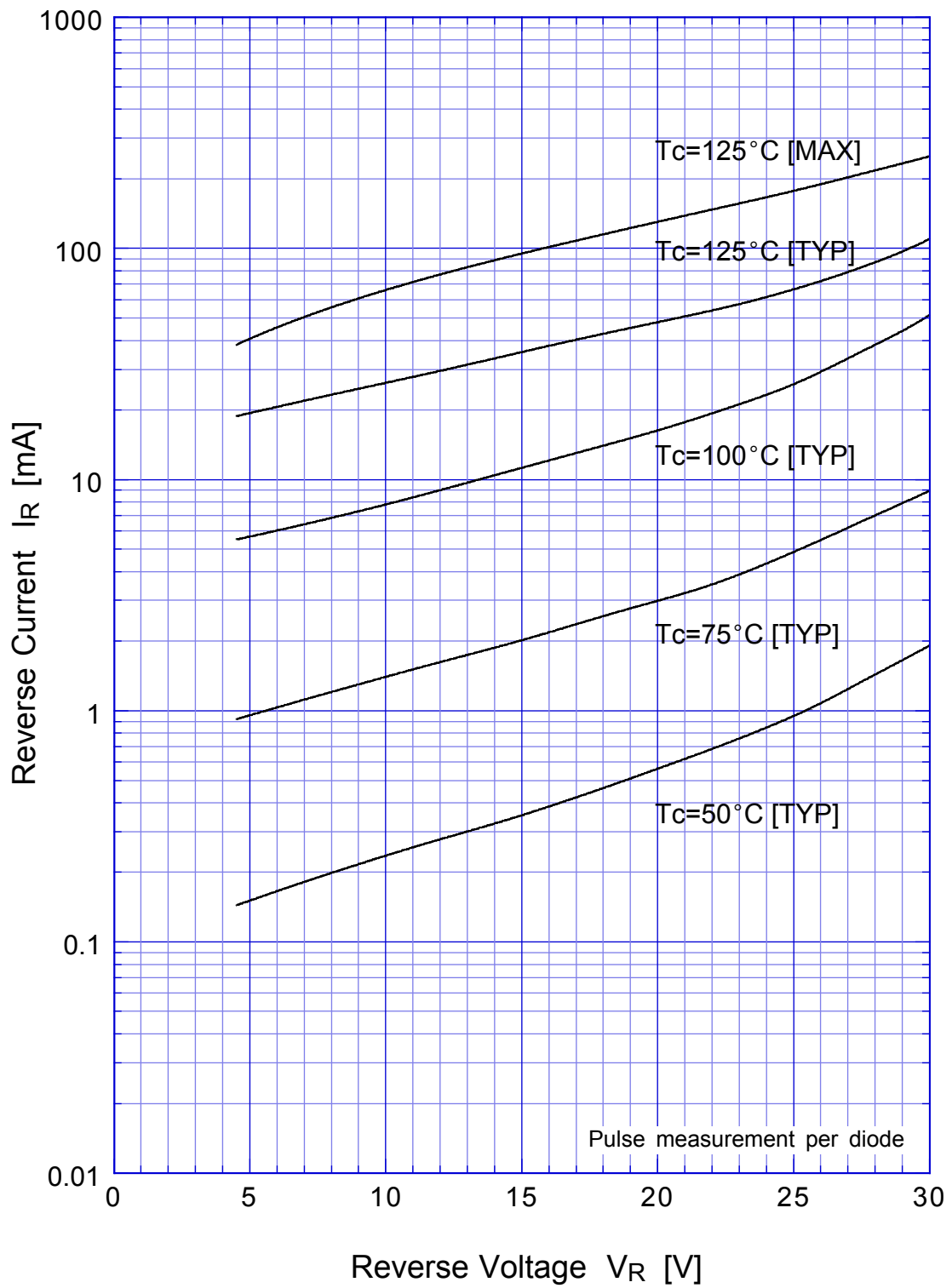
DF30SC3ML Forward Voltage



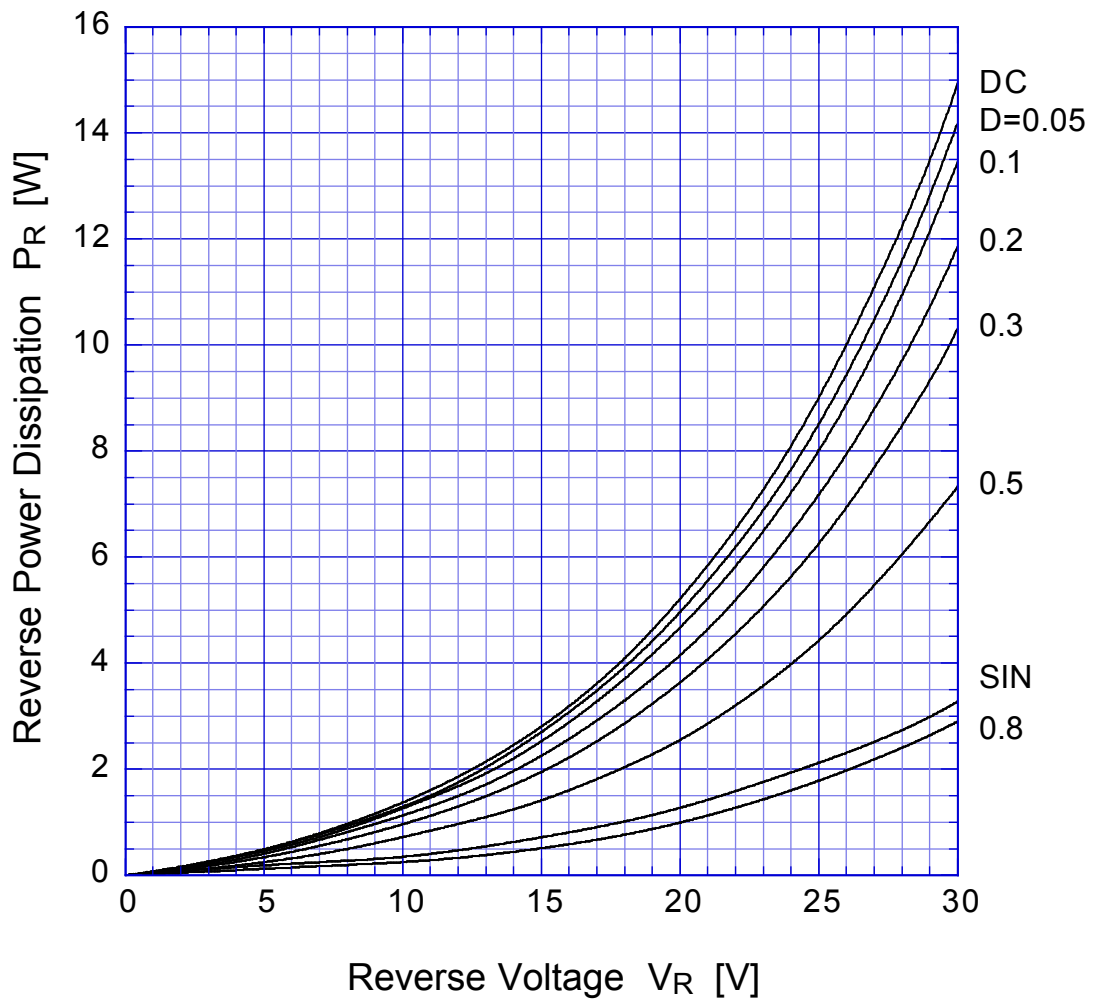
DF30SC3ML Junction Capacitance



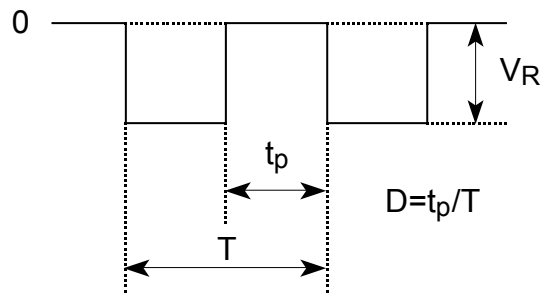
DF30SC3ML Reverse Current



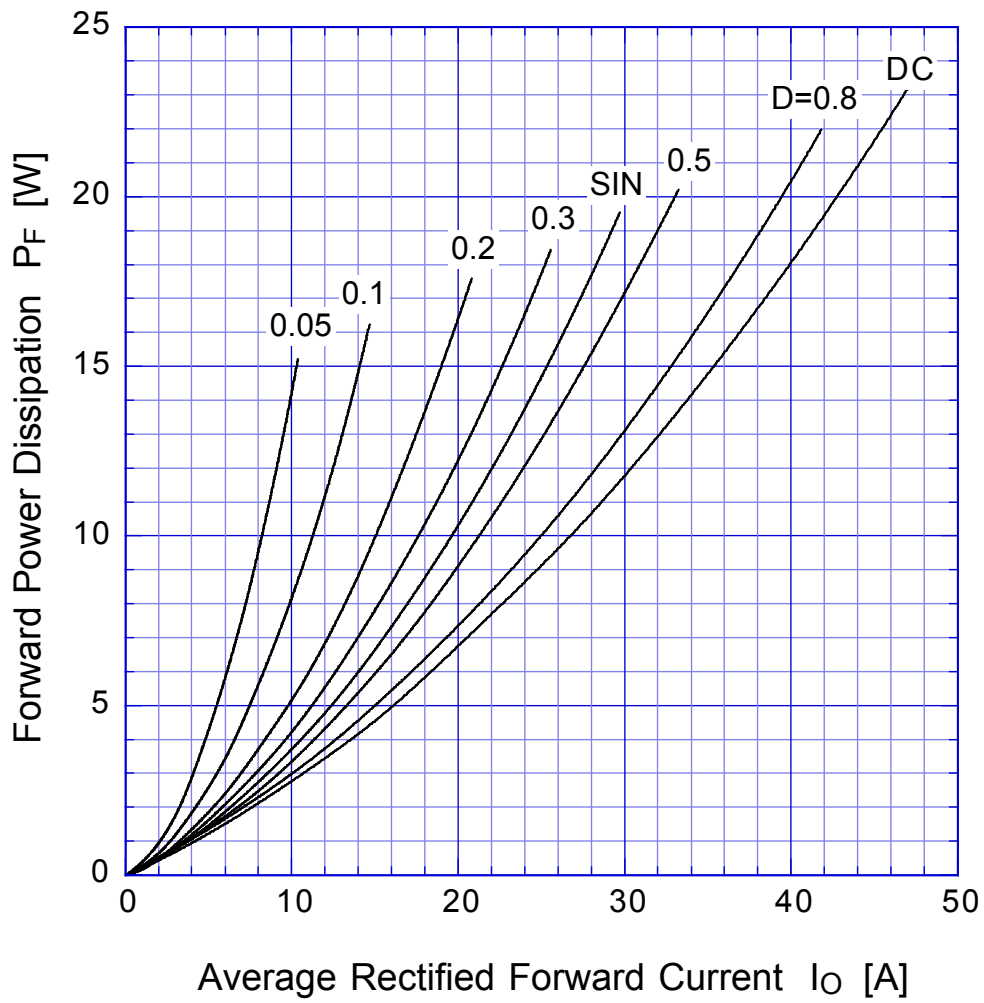
DF30SC3ML Reverse Power Dissipation



$T_j = T_{jmax}$



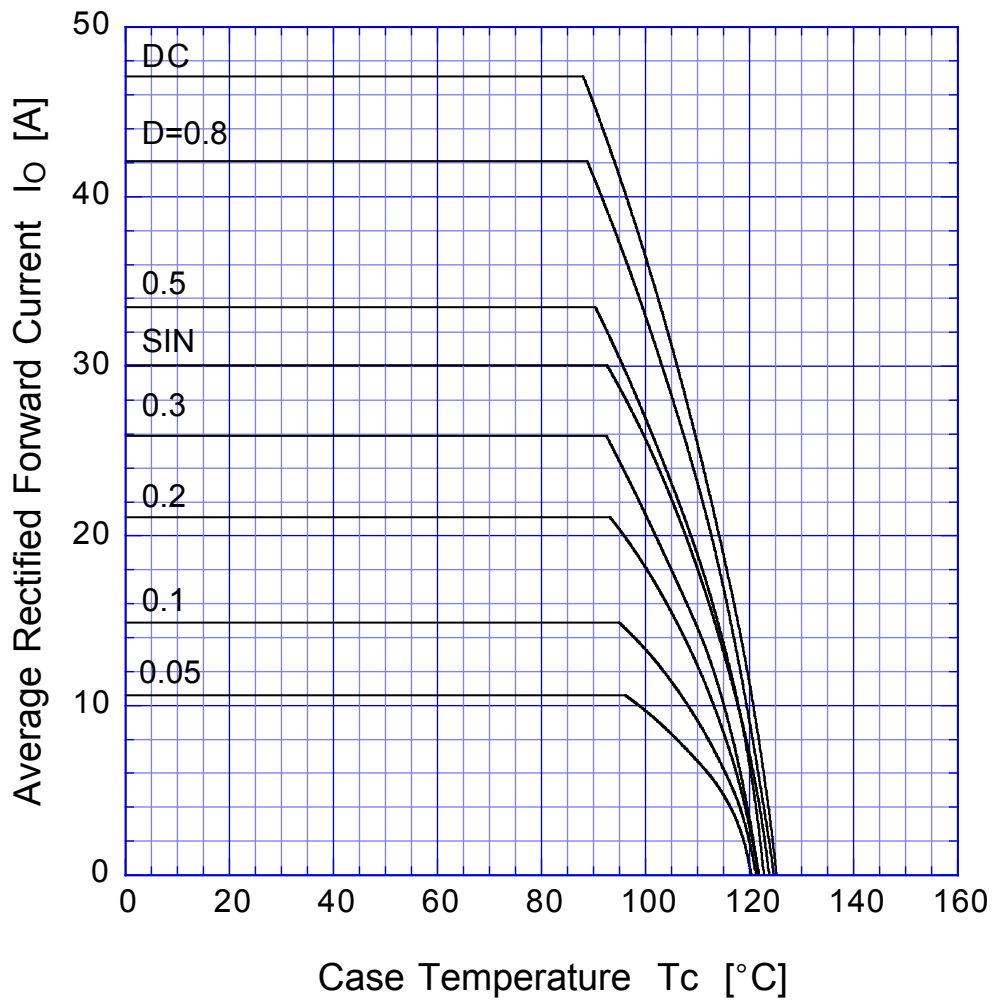
DF30SC3ML Forward Power Dissipation



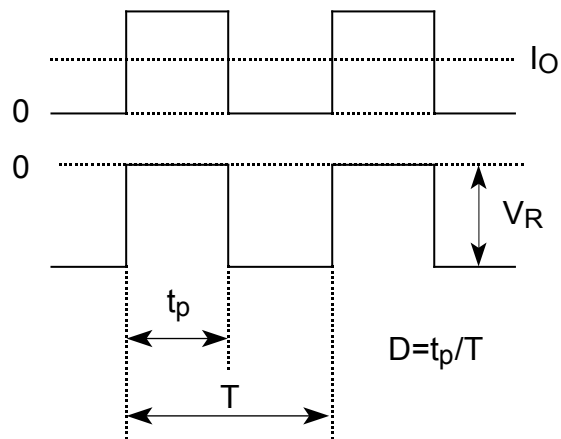
$T_j = T_{jmax}$



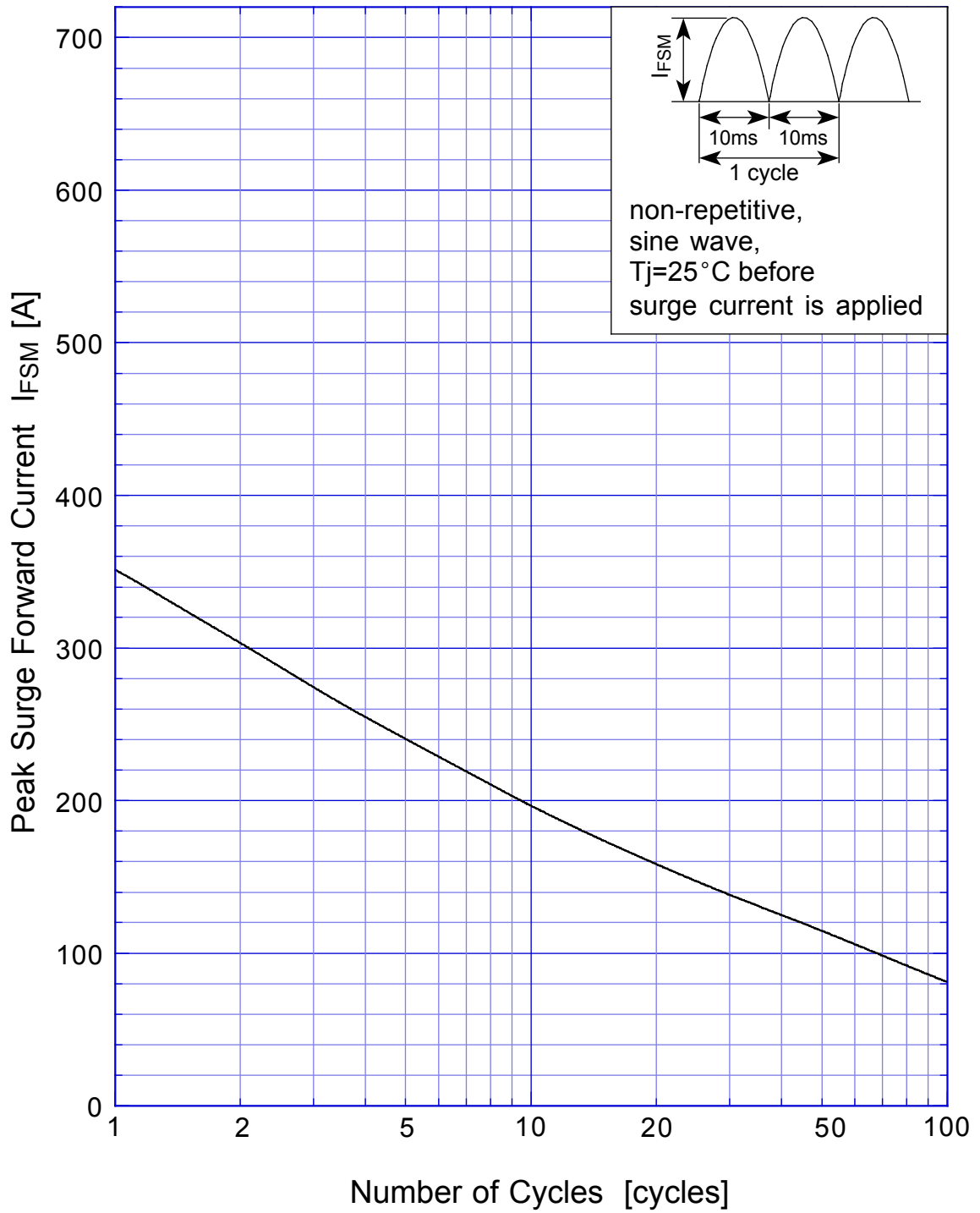
DF30SC3ML Derating Curve



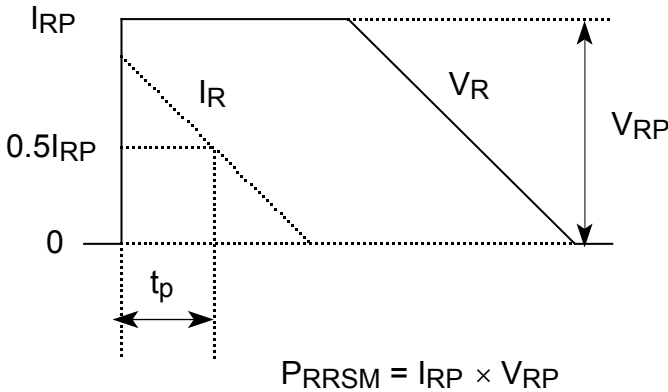
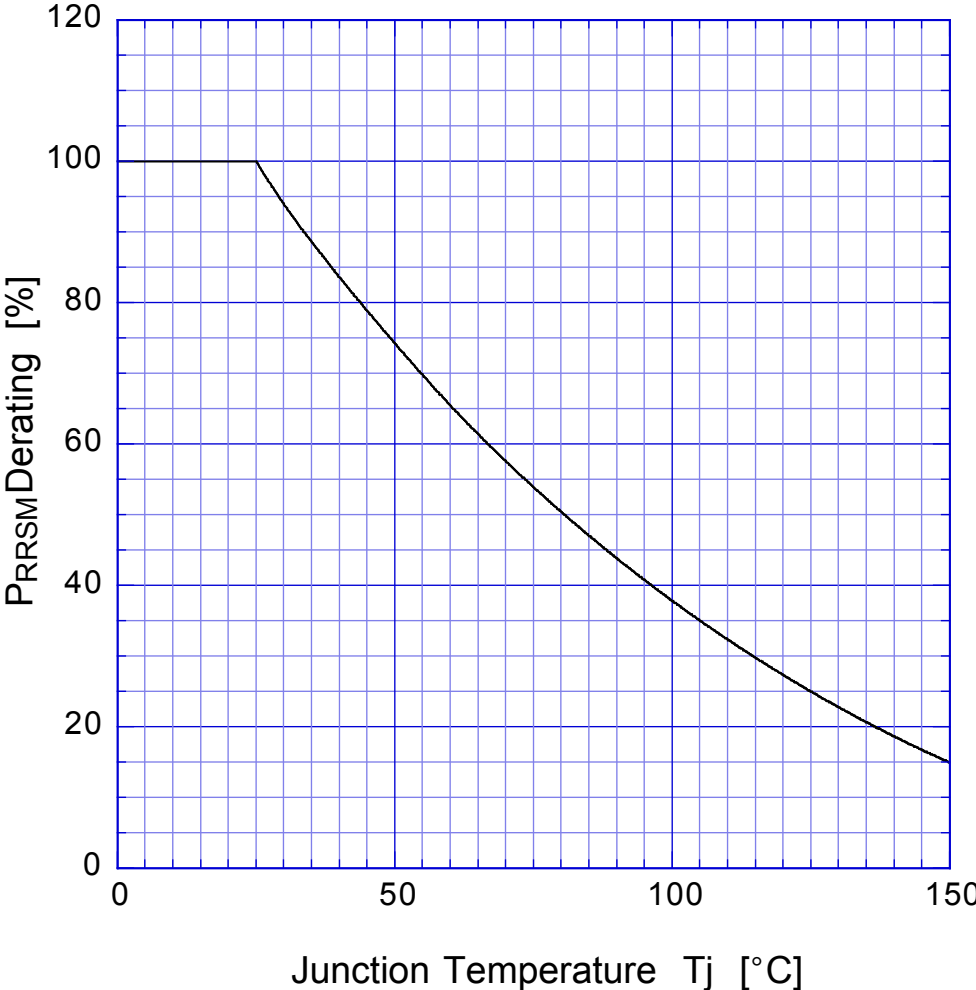
$$V_R = V_{RM}/2$$



DF30SC3ML Peak Surge Forward Capability



SBD Repetitive Surge Reverse Power Derating Curve



SBD

Repetitive Surge Reverse Power Capability

