

31945-MP

IR Remote Control Receiver

IR module for Arduino, Raspberry-Pi and Other Controllers

Mini receiver module using the VS1838B I/R Digital receiver. Designed for remote control systems with the opto PIN diode, pre-amp, filtering, demodulator in one small package. Uses 1 pin of the microcontroller GPIO.

Code libraries, applications and Information & Freeware available through: www.arduino.cc/en, www.raspberrypi.org and others. Data Format: Transmitter/Controller dependant

Power: 5VDC

Frequency: 38KHz

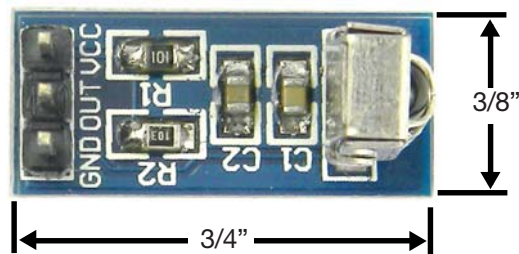
Output: TTL compatible Data, Current Sink

Connection: 3 Pin .1in. Pitch Header

Data I/R signal should follow the following guidelines

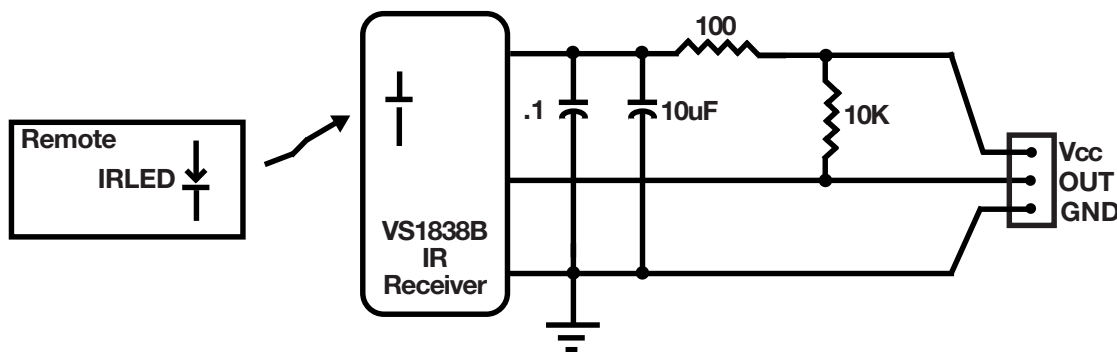
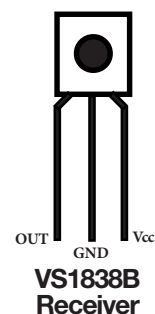
Burst length: >6 Cycles

Gap Length: >9 Cycles (>14ms) at least every 90ms



Conditions: T= 25C Vcc=5V fo= 38KHz Emitter=L51R I/R LED @ 300mA

Parameter	Symbol	Cond.	Min	Typ	Max	Unit
Power	Vcc		2.7	-	5.5	V
Freq. Oper.	Fo		38K			Hz
Bandwidth	Fbw	-3db	2	3.3	5	KHz
1/2Angle	$\theta_{1/2}$			+45		Deg
V output Low	Vol	@Iol.=5mA		0.2	0.4	V
V output High	Voh		4.5			V
Range	L		18	20		M
Supply Current	Icc			0.4	1.5	mA
Pulse Width Low	Tpwl		500	600	700	us
Pulse Width High	Tpwh		500	600	700	us
Temperature	Top		-20	25	85	C°
I/R Wave Length	λ		900	940	1000	nm



Information obtained from or supplied by Mpja.com or Marlin P. Jones and Associates inc. is supplied as a service to our customers and accuracy is not guaranteed nor is it definitive of any particular part or manufacturer. Use of information and suitability for any application is at users own discretion and user assumes all risk.



MARLIN P. JONES & ASSOC., INC.

P.O. Box 530400 Lake Park, FL 33403

800-652-6733 FAX 561-844-8764

WWW.MPJA.COM