

32086-HD

Proximity Sensor, Inductive, NPN-NO Output LJ12A3-4-Z/BX

Inductive type prox switch with NPN Normally Open transistor switch.

Output upon detection.

P/N: LJ12A3-4-Z/BX

Power: 6-36VDC

Output Current: 300mA (Sink)

Detection Range: 4mm

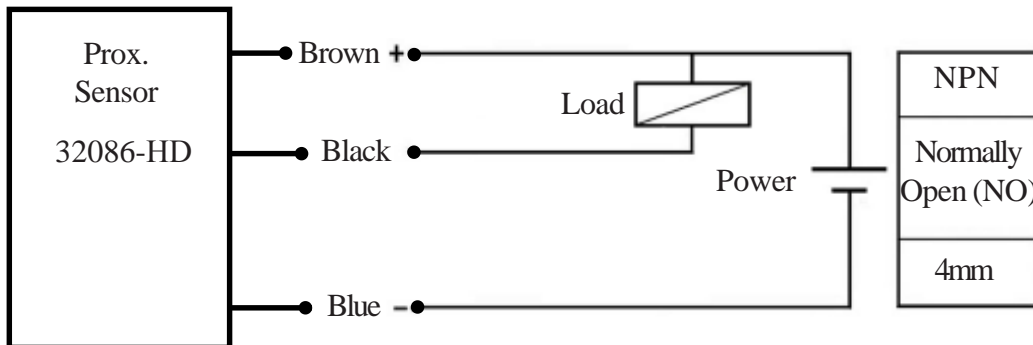
Detected material: Iron/Steel alloys

43in. Lead. Includes Hardware.

Dia: 12mm

L: 64mm (Body)

WT: .08



Information obtained from or supplied by Mpja.com or Marlin P. Jones and Associates inc. is supplied as a service to our customers and accuracy is not guaranteed nor is it definitive of any particular part or manufacturer. Use of information and suitability for any application is at users own discretion and user assumes all risk.



MARLIN P. JONES & ASSOC., INC.

P.O. Box 530400 Lake Park, FL 33403
800-652-6733 FAX 561-844-8764
WWW.MPJA.COM