

MICRO ELECTRONIC

3291G

LED BACKLIGHT
FOR LCD DISPLAY

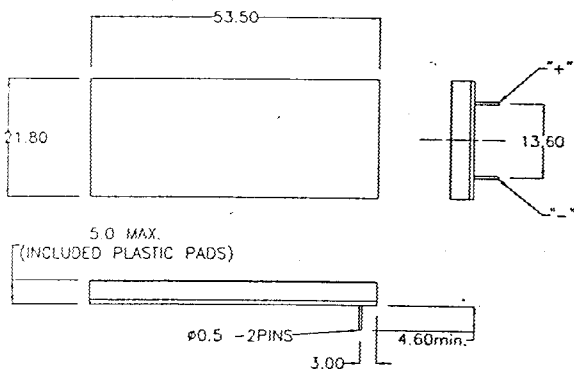
ABSOLUTE MAXIMUM RATINGS

Forward Current	IF	160mA
Reverse Voltage	VR	10V
Operating Temperature	Topr	-20 to +70°C
Storage Temperature	Tstg	-30 to +80°C

ELECTRO-OPTICAL CHARACTERISTICS (Ta=25°C)

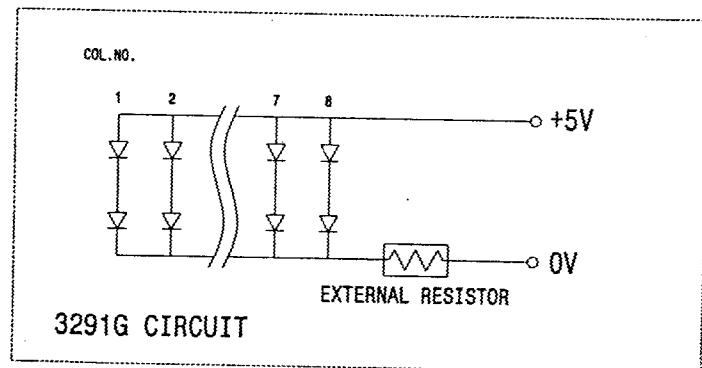
PARAMETER	SYMBOL	MIN	TYP	MAX	UNIT	CONDITIONS
Forward Voltage	VF	3.8	4.1	4.4	V	IF=80mA
Reverse Current	IR			80	μA	VR=10V
Peak Wavelength	λp		565		nm	IF=80mA
Spectral Line Half Width	Δλ		40		nm	IF=80mA
Brightness	B	60			cd/m ²	IF=80mA

MECHANICAL OUTLINE



ALL DIMENSION IN mm
NO SCALE
TOL. +/-0.3mm

CIRCUIT DIAGRAM



MICRO ELECTRONICS LTD. 美科有限公司

38, Hung To Road, Microtron Building, Kwun Tong, Kowloon, Hong Kong.

Kwun Tong P.O. Box 69477 Hong Kong. Fax No. 2341 0321 Telex: 43510 Micro Hx. Tel: 2343 0181-5

Rev A