

28 (X) + 28 (Y) Crossed Wire Anode, 5 Inch Diameter, 12-Stage, Bialkali Photocathode, Head-On

GENERAL

Parameter		Description/Value	Unit
Spectral Response		300 to 650	nm
Wavelength of Maximum Response		420	nm
Photocathode	Material	Bialkali	—
	Minimum Effective Area	100	mm dia.
Window	Material	Borosilicate glass	—
	Shape	Plano-plano	—
Dynode	Structure	Proximity mesh	—
	Number of Stages	12	—
Anode	Number of Wires	28 (X) +28 (Y)	—

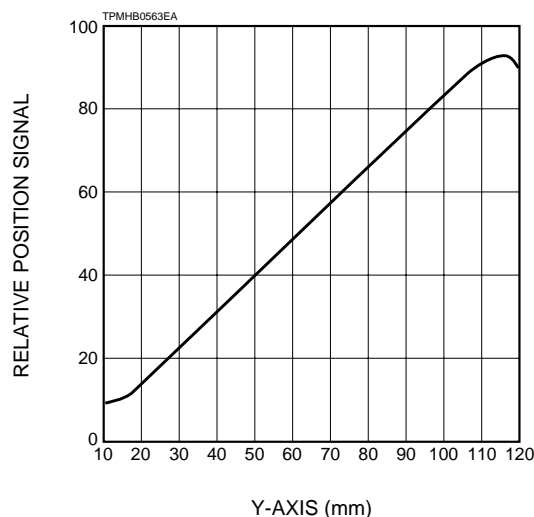
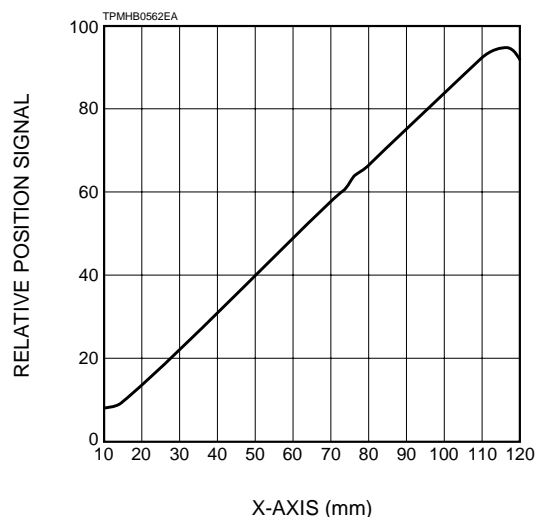
MAXIMUM RATINGS (Absolute Maximum Values)

Parameter		Value	Unit
Supply Voltage	Between Anode and Cathode	1300	Vdc
Ambient Temperature		-80 to +50	°C

CHARACTERISTICS (at 25°C)

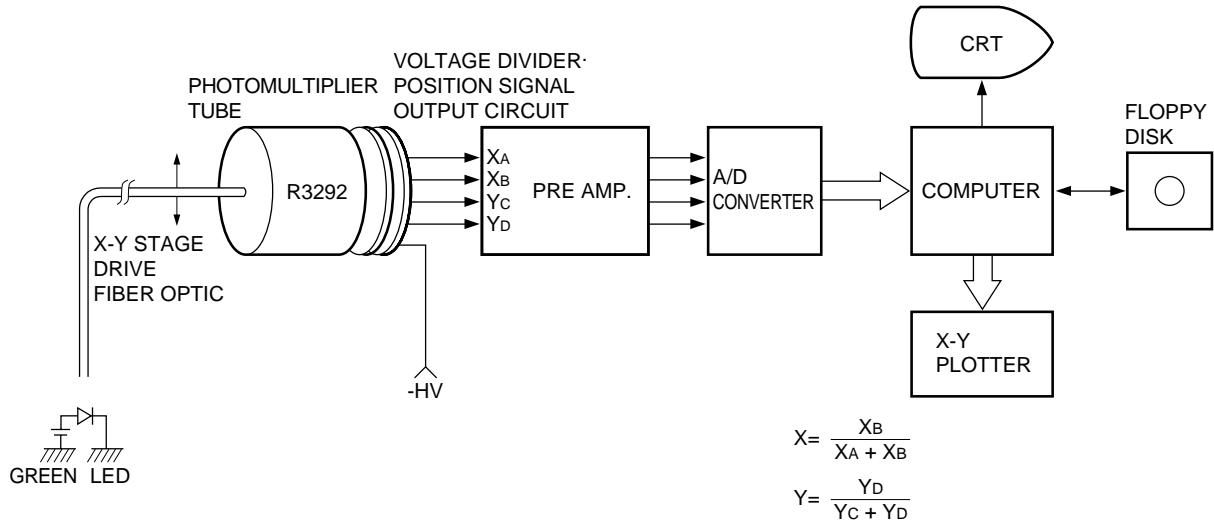
Parameter		Min.	Typ.	Max.	Unit
Cathode Sensitivity	Luminous (2856K)	50	80	—	μA/lm
	Radiant at 420nm	—	77	—	mA/W
	Blue (CS 5-58 filter)	—	9.0	—	μA/lm-b
	Quantum Efficiency at 420nm	—	23	—	%
Anode Sensitivity	Luminous (2856K)	5	10	—	A/lm
	Radiant at 420nm	—	7.7×10^3	—	A/W
Gain		—	1.25×10^5	—	—
Anode Dark Current (after 30 min. storage in darkness)		—	40	150	nA

Figure 1: Position Signal Linearity



PHOTOMULTIPLIER TUBES R3292 SERIES

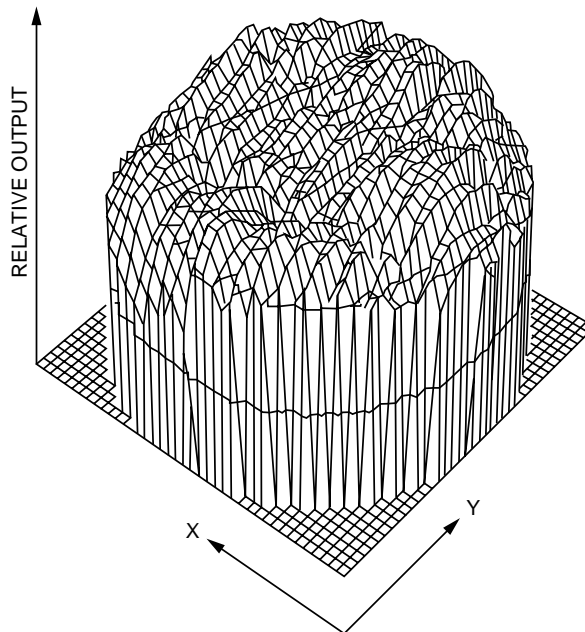
Figure 2: Block Diagram of Position Signal Linearity Measurement



TPMHC0176EA

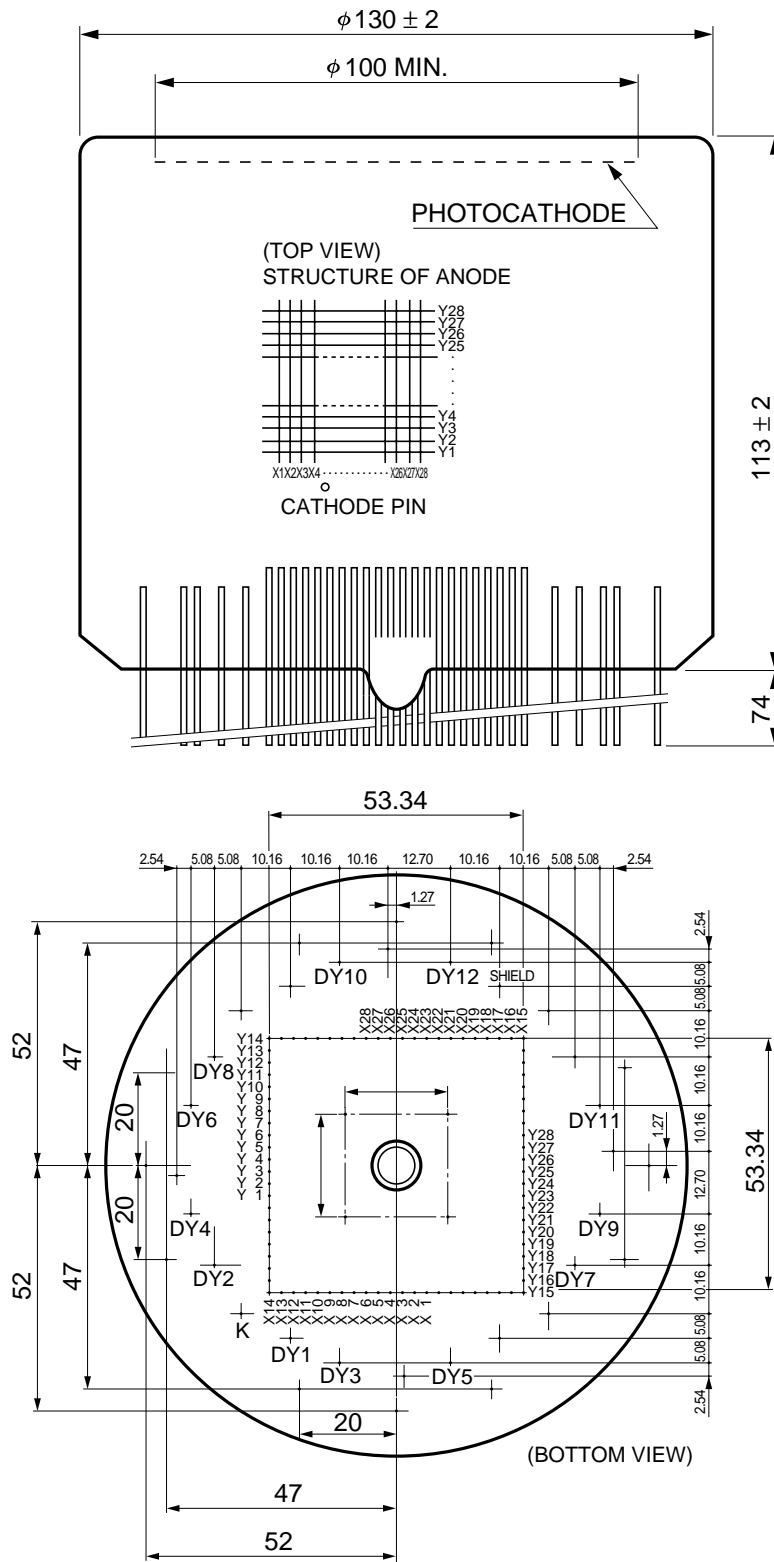
Figure 3: Uniformity Characteristics

SPOT DIA. : $\phi 1\text{mm}$
 SPOT INTERVAL: 2.5mm
 WIDTH : $\phi 100\text{mm}$
 WAVELENGTH : 420nm



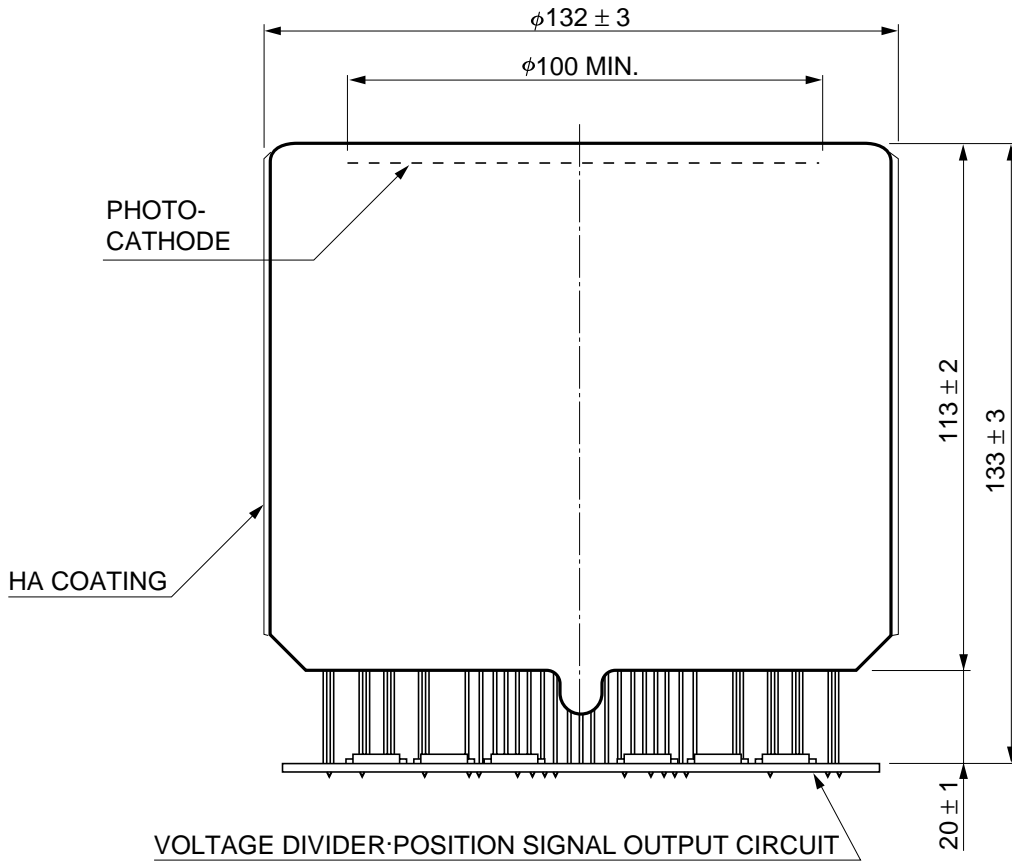
TPMHB0564EA

Figure 4: R3292 Dimensional Outline (Unit: mm)

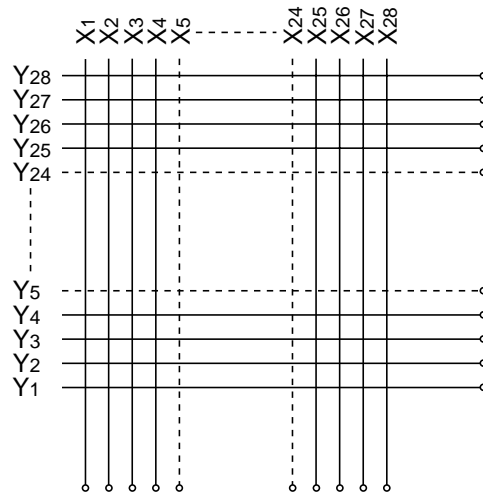
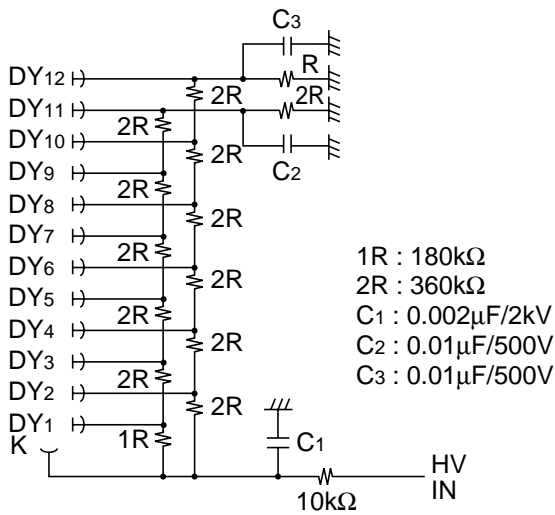


PHOTOMULTIPLIER TUBES R3292 SERIES

Figure 5: R3292-01 Dimensional Outline and Voltage Divider Circuit (Unit: mm)

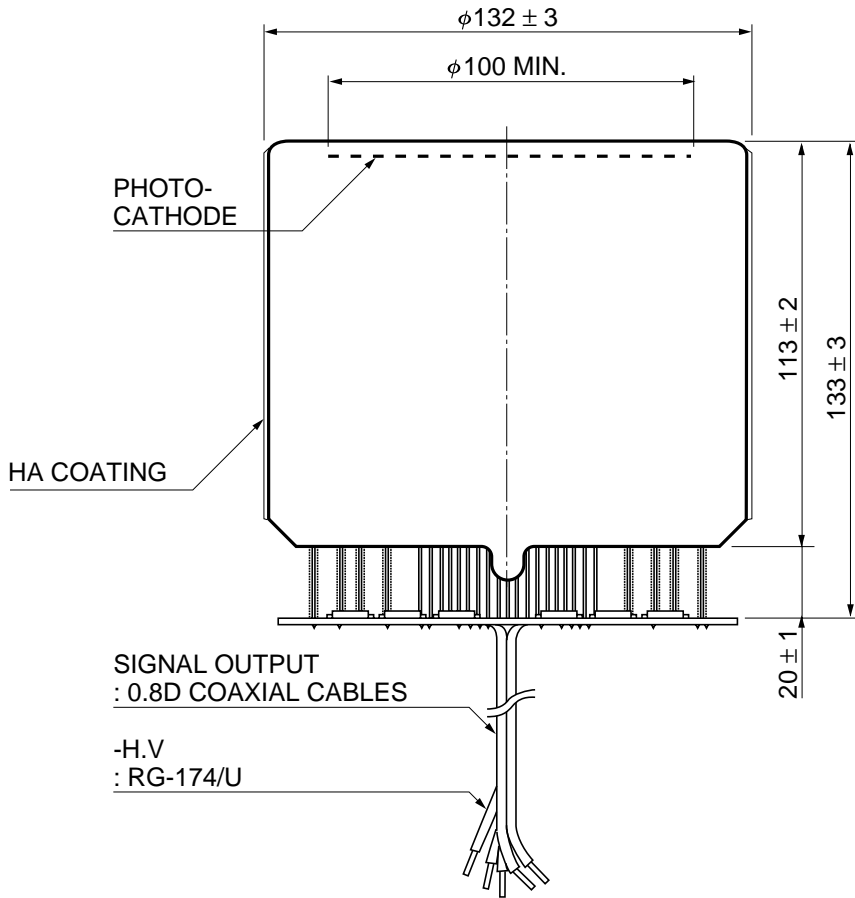


TPMHA0440EA

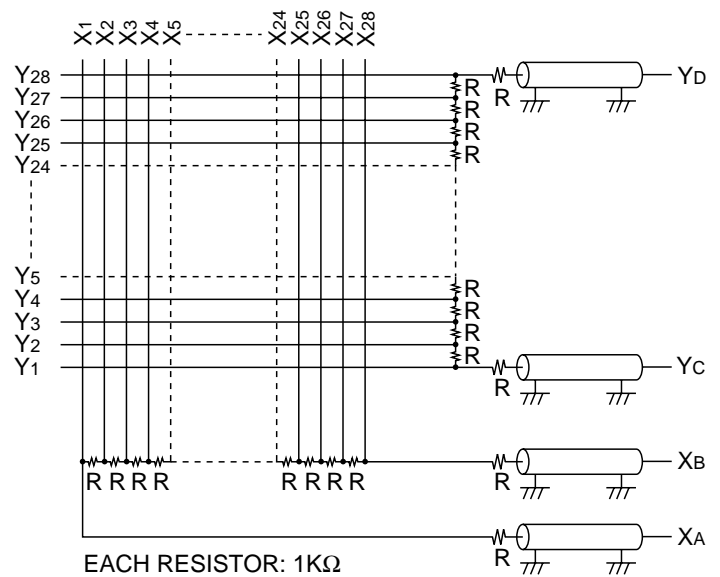
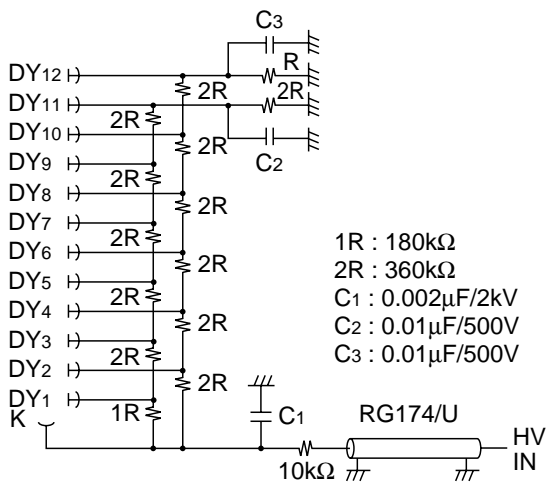


TPMHC0177EA

Figure 6: R3292-02 Dimensional Outline, Voltage Divider Circuit and Position Signal Output Circuit (Unit: mm)



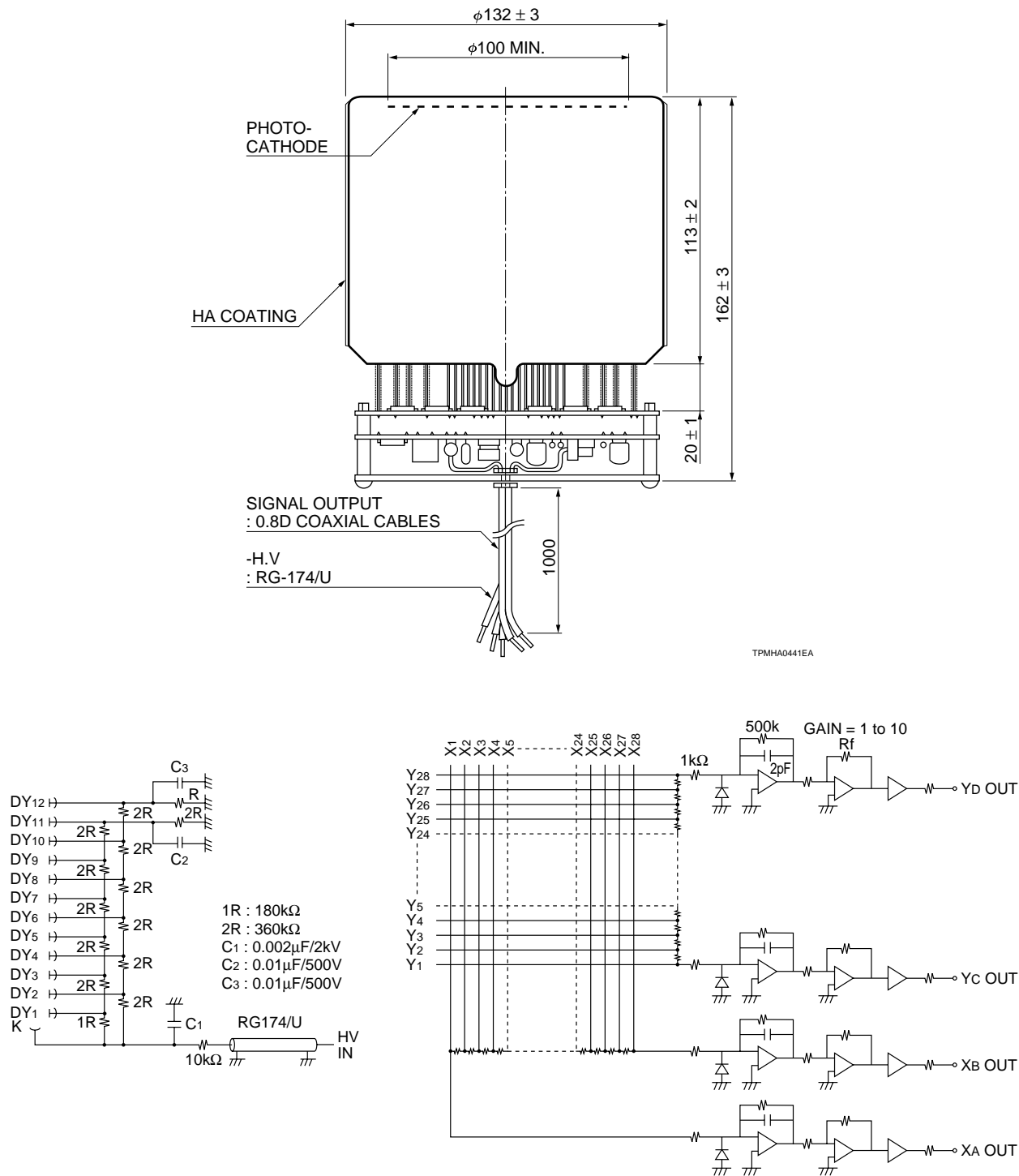
TPMHA0162EE



TPMHC008BED

PHOTOMULTIPLIER TUBES R3292 SERIES

Figure 7: R3292-05 Dimensional Outline, Voltage Divider Circuit, Position Signal Output Circuit and Preamplifier (Unit: mm)



TPMHA0441EA

TPMHC0178EA

HAMAMATSU

HAMAMATSU PHOTONICS K.K., Electron Tube Center

314-5, Shimokanzo, Toyooka-village, Iwata-gun, Shizuoka-ken, 438-0193, Japan, Telephone: (81)539/62-5248, Fax: (81)539/62-2205

U.S.A.: Hamamatsu Corporation: 360 Foothill Road, P. O. Box 6910, Bridgewater, N.J. 08807-0910, U.S.A., Telephone: (1)908-231-0960, Fax: (1)908-231-1218

Germany: Hamamatsu Photonics Deutschland GmbH: Arzbergerstr. 10, D-82211 Herrsching am Ammersee, Germany, Telephone: (49)8152-375-0, Fax: (49)8152-2658

France: Hamamatsu Photonics France S.A.R.L.: 8, Rue du Saule Trapu, Parc du Moulin de Massy, 91882 Massy Cedex, France, Telephone: (33)1 69 53 71 00, Fax: (33)1 69 53 71 00

United Kingdom: Hamamatsu Photonics UK Limited: Lough Point, 2 Gladbeck Way, Windmill Hill, Enfield, Middlesex EN2 7JA, United Kingdom, Telephone: (44)181-367-3560, Fax: (44)181-367-6384

North Europe: Hamamatsu Photonics Norden AB: Färögatan 7, S-164-40 Kista Sweden, Telephone: (46)8-703-29-50, Fax: (46)8-750-58-95

Italy: Hamamatsu Photonics Italia: S.R.L.: Strada della Moia, 1/E, 20020 Arese, (Milano), Italy, Telephone: (39)02-935 81 733, Fax: (39)02-935 81 741

TPMH1238E01
SEPT. 1998 SI
Printed in Japan (500)