

Varistor Type MYG

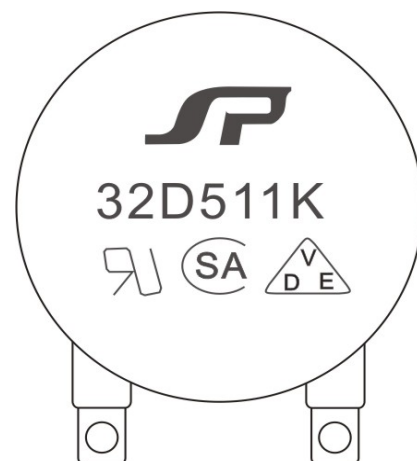
Type MYG Varistors are made of semiconductor ceramic materials composed mainly of zinc oxide. They have non-linear resistance that changes as a function of applied voltage. It has small size, high current capacity, and high protection level.

Features

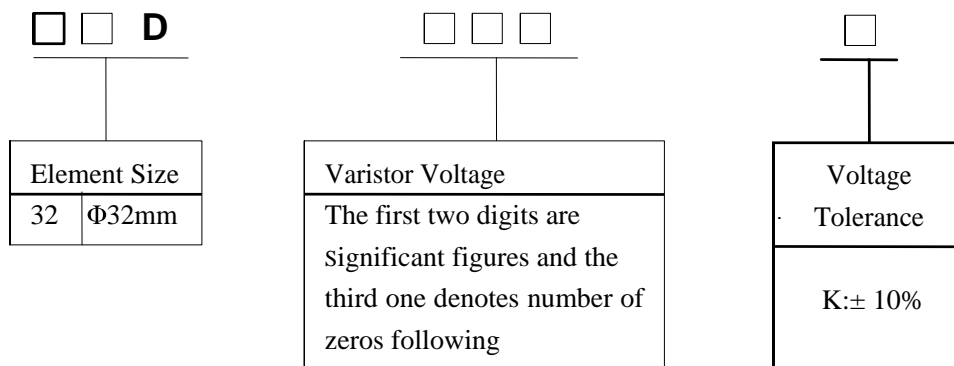
- > Wide Varistor voltage range (200V~1600V)
- > Excellent non-linearity and protection level
- > Large withstanding surge current
- > Fast response ($\leq 20\text{ns}$)

Recommended Applications

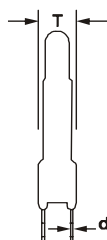
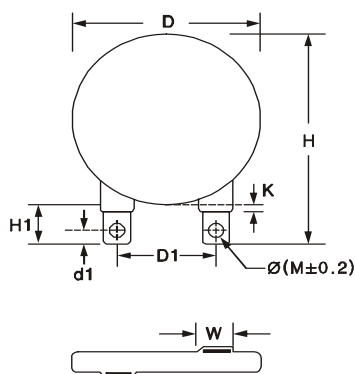
- > Protection of semiconductors
- > Surge protection of consumer equipment
- > Surge protection of communication, measuring or controller instrument
- > Relay or electromagnetic Valve surge absorption



Explanation of Part Numbers



Dimension



Symbol	Dimensions
H(max.)	56.3
H1(max.)	16.5
D(max.)	38.0
D1(±1.0)	25.4
d(±0.1)	0.5
d1(±0.3)	3.4
K(max.)	3.2
φ(M±0.2)	3.8
W(±0.5)	7.0
T(max.)	16.6

Specification and Electrical Characteristics

part Number	Maximum Allowable Voltage		Varistor Voltage	Maximum Clamping Voltage		Withstanding Surge Current	Maximum Energy (10/100 μ S)	Typical Capacitance (Reference)
	V _{AC} (V)	V _{DC} (V)	V _{1mA} (V)	I _p (A)	V _c (V)	I(A)	(J)	1KHz(pf)
32D162K	1000	1280	1600(1440-1760)	200	2640	25000	1080	700
32D142K	880	1140	1400(1260-1540)	200	2310	25000	1020	800
32D122K	750	990	1200(1350-1650)	200	1980	25000	960	920
32D112K	680	895	1100(990-1210)	200	1815	25000	910	1000
32D102K	625	825	1000(900-1100)	200	1650	25000	810	1100
32D951K	575	765	950(855-1045)	200	1570	25000	780	1200
32D911K	550	745	910(819-1001)	200	1500	25000	750	1300
32D821K	510	670	820(738-902)	200	1355	25000	700	1800
32D781K	485	640	780(702-858)	200	1290	25000	660	1900
32D751K	460	615	750(675-825)	200	1240	25000	620	2000
32D681K	420	560	680(612-748)	200	1120	25000	600	2200
32D621K	385	505	620(558-682)	200	1025	25000	570	2400
32D561K	350	460	560(504-616)	200	925	25000	540	2550
32D511K	320	415	510(459-561)	200	845	25000	510	2700
32D471K	300	385	470(423-517)	200	775	25000	460	2800
32D431K	275	350	430(387-473)	200	710	25000	430	3100
32D391K	250	320	390(351-429)	200	650	25000	400	3200
32D361K	230	300	360(324-396)	200	595	25000	380	3900
32D331K	210	275	330(297-363)	200	550	25000	360	4300
32D301K	190	250	300(270-330)	200	500	25000	330	4550
32D271K	175	225	270(243-297)	200	455	25000	300	4800
32D241K	150	200	240(216-264)	200	395	25000	290	5100
32D221K	140	180	220(198-242)	200	360	25000	270	5150
32D201K	130	170	200(180-220)	200	340	25000	250	5200

Note: 1、* Stand for commonly used models

2、Varistor voltage is measured at 0.1 mA for 05D, and at 1 mA for 07D, 10D, 14D, 20D,25D,32D respectively.

3、Operating Temperature Range: $-40^{\circ}\text{C} \sim +85^{\circ}\text{C}$

Storage Temperature Range: $-40^{\circ}\text{C} \sim +125^{\circ}\text{C}$