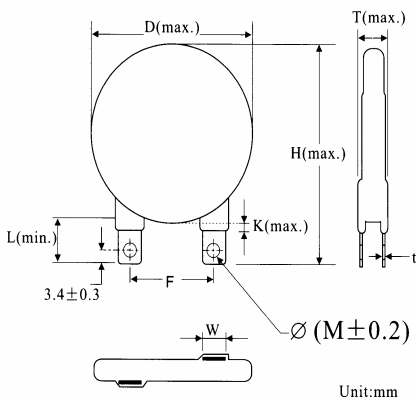


● **32D series**

Model Number	Maximum Allowable Voltage		Varistor Voltage V <sub>1m</sub> (V)	Clamping Voltage (MAX.)		Maximum Peak Current (8/20μs)		Maximum Energy (JOULE) 10/1000 μs	Typical Capacitance (Reference) @1KHz (pf)	UL	SF
	AC (V)	DC (V)		VC (V)	IP (A)	1 time (A)	2 time (A)				
	32D201K	130	170	200(185-225)	340	200	25000	15000	250		
32D241K	150	200	240(216-264)	395	290				5100	*	*
32D271K	175	225	270(243-297)	455	300				4800	*	*
32D331K	210	275	330(297-363)	550	360				4300	*	*
32D361K	230	300	360(324-396)	595	380				3900	*	*
32D391K	250	320	390(351-429)	650	400				3200	*	*
32D431K	275	350	430(387-473)	710	430				3100	*	*
32D471K	300	385	470(423-517)	775	460				2800	*	*
32D511K	320	415	510(459-561)	845	510				2700	*	*
32D621K	385	505	620(558-682)	1025	570				2400	*	*
32D681K	420	560	680(612-748)	1120	600				2200	*	*
32D751K	460	615	750(675-825)	1240	620				2000	*	*
32D781K	485	640	780(702-858)	1290	660				1900	*	*
32D821K	510	670	820(738-902)	1355	700				1800	*	*
32D911K	550	745	910(819-1001)	1500	750				1300	*	*
32D951K	575	765	950(855-1045)	1570	780				1200	*	*
32D102K	625	825	1000(900-1100)	1650	810				1100	*	*
32D112K	680	895	1100(990-1210)	1815	910				1000	*	*
32D122K	750	990	1200(1080-1320)	1980	960				920		*
32D152K	900	1200	1500(1350-1650)	2475	1000				800		*
32D182K	1000	1465	1800(1620-1980)	2970	1300	700		*			

**DIMENSIONS**



D (max.)	38
H (max.)	56.3
T (max.)	Ref.Tab1
F (±0.5)	25.4
t (±0.1)	0.5
L (min.)	16.5
K (max.)	3.18
W (±0.5)	7.0
Ø (M3±0.2)	3.8

Tab1.

Model	T (max.)	Model	T (max.)
201K	6.2	751K	9.4
241K	6.4	781K	9.6
271K	6.6	821K	9.8
331K	6.9	911K	10.4
361K	7.1	951K	10.6
391K	7.3	102K	11.2
431K	7.5	112K	11.8
471K	7.8	122K	12.3
511K	8.0	152K	13.3
621K	8.7	182K	14.3
681K	9.0		