

December 1992

**DESCRIPTION**

The SSI 32H6240 Servo Motor Driver is a bipolar device intended for use in Winchester disk drive head positioning systems employing linear or rotary voice coil motors. When used in conjunction with a position controller, such as the SSI 32H6220 Servo Controllers, and a position reference, such as the SSI 32H567 Servo Demodulator, the device allows the construction of a high performance, dedicated surface head positioning system.

The SSI 32H6240 serves as a transconductance amplifier by driving 4 bipolar power transistors in an H-bridge configuration and performs motor current sensing by using an on-chip differential amplifier. In its linear tracking mode, class B operation is guaranteed by crossover protection circuitry, which ensures that only one transistor in each leg of the H-bridge is active. Automatic head retraction and spindle braking may be initiated by a low voltage condition or upon external command.

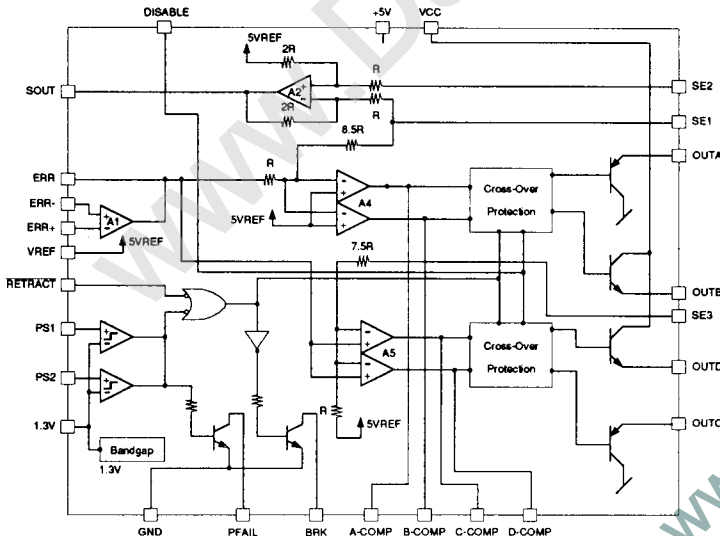
The SSI 32H6240 is implemented in an advanced bipolar process and dissipates less than (240 mW) from a 12V supply. The SSI 32H6240 is available in a 28-pin PLCC.

**FEATURES**

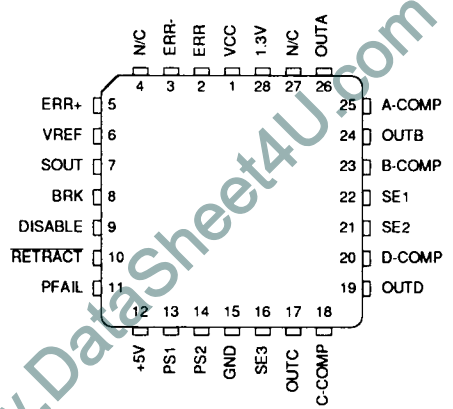
- Predriver for linear and rotary voice coil motors
- Interfaces directly to Bipolar H-Bridge motor driver
- Class B linear mode and constant velocity retract mode
- Power transistor disable function
- Precision differential amplifier for motor current sensing
- On-chip precision power fail detect
- Automatic head retract and spindle braking signal on power failure
- External digital enable
- Servo loop parameters programmed with external components
- Advanced bipolar IC requires under (240 mW) from 12V supply
- Available in 28-pin PLCC packaging
- +5V, +12V operation

6

**BLOCK DIAGRAM**



**PIN DIAGRAM**



CAUTION: Use handling procedures necessary for a static sensitive component.

# SSI 32H6240

## Servo Motor Driver

### FUNCTIONAL DESCRIPTION

(Refer to block diagram and typical application Fig.2)

There are three modes of operation of the SSI32H6240: Disable, Retract, and Linear. The circuit mode is controlled by the **DISABLE**, **RETRACT**, **PS1**, and **PS2** pins.

**DISABLE** mode turns off the output drivers. **OUTA** and **OUTC** are pulled to **VCC** through internal 1.5 k $\Omega$  resistors. **OUTB** and **OUTD** are pulled to **GND** through internal 1.5 k $\Omega$  resistors. Disable mode does not override Retract mode.

**RETRACT** mode turns off **OUTB** and **OUTC**. **OUTD** is turned on. **OUTA** is turned on in a special manner to force 1V at **SE1**. Retract mode does override Disable mode.

**POWER FAIL** mode occurs when either **PS1** or **PS2** fall below 1.3V. Power fail overrides Retract and Disable inputs and forces the chip into **RETRACT** mode.

When the **RETRACT** pin is pulled low the SSI32H6240 will go into retract mode. The **BRK** pin will go high. When the **DISABLE** pin is pulled high it will cause all 4 bridge power transistors to turn off. **PFAIL** and **BRK** will remain low if **PS1**, **PS2**, and **RETRACT** pins do not change.

During linear mode operation an acceleration signal from the servo controller is applied through amplifier **A1**. Amplifier **A1**'s three connections are available for connection to external loop compensation components. The **ERR** signal drives two precision amplifiers, each with a gain of 8.5. The first of these amplifiers is inverting, and is formed from opamp **A4**, an on-chip resistor divider, and an off-chip complementary Bipolar Power Transistor pair. The second amplifier is non-inverting and is formed in a similar manner from opamp **A5**. Feedback from external transistor's collectors on sense inputs **SE1** and **SE3** allows the amplifier's gains to be precisely set. The voice coil motor and a series current sense resistor are connected between **SE1** and **SE3**. The output of the amplifiers will provide the base current for the external H-Bridge Bipolar Power Transistors. The chip is designed to work with external transistors with a minimum Beta of 40 and minimum  $f_r$  of 40 MHz. The base bias resistors for the external bridge transistors are internal to the IC.

Cross over protection circuitry between the outputs of **A4** and **A5** and the external power transistors ensure Class B operation by allowing only one transistor in each leg of the H-bridge to be in conduction. The crossover circuitry can also disable all Power Transistors simultaneously (to limit motor current or velocity) or apply a constant voltage across the motor (to retract the heads at a constant velocity.)

Motor current is sensed by a small resistor placed in series with the motor. The voltage drop across this resistor is amplified by a differential amplifier with a gain of 2 (**A2** and associated resistors), whose inputs are **SE1** and **SE2**. The resulting output voltage, **SOUT**, is proportional to motor current, and hence acceleration. This signal is externally fed back to **A1** so that the signal **ERR** represents the difference between the desired acceleration (from the servo controller) and the actual motor acceleration. The total output offset current ( $V_{in} = V_{ref}$ ,  $R_{sense} = 0.5 \Omega$ ) is less than 5.5 mA.

The SSI32H6240 has low voltage monitor circuitry that will detect a decrease in the voltage at **PS1** and **PS2** pins. The +5V and +12V power supplies are divided down by external resistors and then compared to an internal 1.25V  $\pm 5\%$  reference. The power supply pin, **VCC**, should be connected to the disk drive's spindle motor so that its stored rotational energy may be used to hold up **VCC** briefly during a power failure. When a low voltage condition is detected on either the **PS1** or **PS2** pins the **BIPOLAR** drivers switch from linear operation to retract mode. In this mode a constant voltage is applied across the motor which will cause the heads to move at a constant speed. A mechanical stop must be provided for the heads when they reach a safe location. External current limiting circuitry is required for both the linear and retract modes of operation. An open collector output, **PFAIL**, which is low in the linear mode, will go high to indicate a power failure. This signal is gated with the **RETRACT** input signal to force the chip into the Retract mode during power failure and to signal a **BRK** spindle. A **BRK** spindle is signaled by forcing a High level on the **BRK** open collector output which is normally low in the Linear mode. The **BRK** pin is provided for spindle motor braking. An external RC delay may be used to defer braking until the heads are retracted.

# SSI 32H6240 Servo Motor Driver

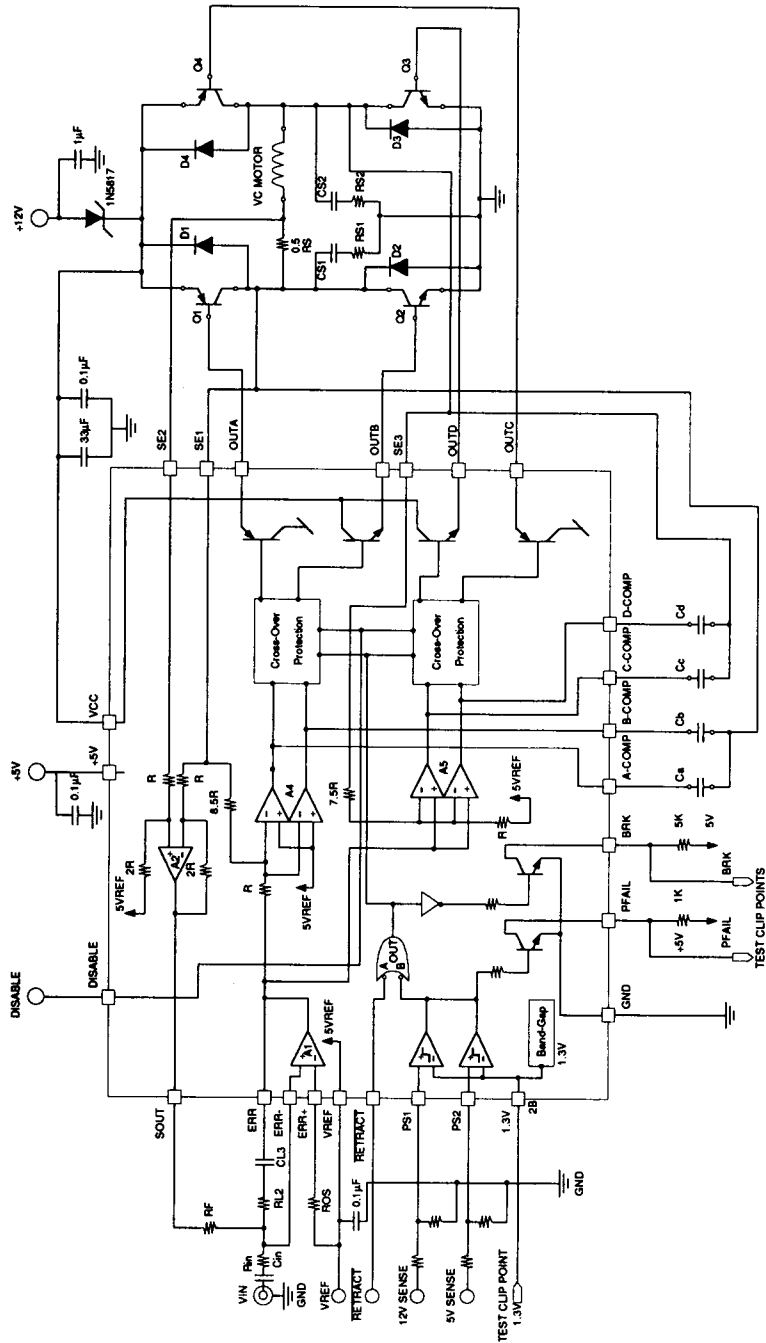


FIGURE 2: SSI 32H6240 Typical Application

# SSI 32H6240

## Servo Motor Driver

### PIN DESCRIPTION

#### POWER

NAME	TYPE	DESCRIPTION
VCC	-	POSITIVE SUPPLY - Usually taken from spindle motor supply. Spindle motor stored energy permits head retraction during power failure. If either a "Power Failure" or a "Retract" is asserted a forced head retraction occurs. Usually supplied through a power Schottky diode from Spindle Motor Supply.
+5V	I	5-volt power supply
VREF	I	REFERENCE VOLTAGE - 5.0V input. All analog signals are referenced to this input.
GND	-	GROUND

#### CONTROL

NAME	TYPE	DESCRIPTION
ERR	O	POSITION ERROR- Loop compensation amplifier output. This signal is amplified by the BIPOLAR drivers and applied to the motor by an external BIPOLAR H-bridge, as follows: SE3-SE1 = 17 (ERR-VREF)
ERR-	I	POSITION ERROR INVERTING INPUT - Inverting input to the loop compensation amplifier.
ERR+	I	POSITION ERROR NON-INVERTING INPUT - Non-inverting input to the loop compensation amplifier.
SOUT	O	MOTOR CURRENT SENSE OUTPUT - This output provides a voltage proportional to the voltage drop across the external current sense resistor, as follows: SOUT-VREF=4 (SE2-SE1)
BRK	O	BRAKE OUTPUT - Active high, open collector output which may be used to enable an external spindle motor braking transistor upon power failure. External resistor may be tied to +5 or +12V.
DISABLE	I	DISABLE DRIVERS INPUT – Logic level input. An input high level will cause all 4 bridge BIPOLAR Power Devices to turn off. DISABLE does not override retract.
RETRACT	I	RETRACT INPUT – Logic level low will assert a forced head retraction. RETRACT will override DISABLE. RETRACT will continue to work at VCC=3.5V.
PS1	I	POWER SENSE 1 – 12V sense input to power fail comparator.
PS2	I	POWER SENSE 2 – 5V sense input to power fail comparator.
PFAIL	O	POWER FAIL – Power fail indicator open collector output. Floats if either supply goes below threshold.
1.3V	O	INTERNAL REFERENCE MONITOR - Used for testing purposes only.
A-COMP	O	AMPLIFIER A COMPENSATION - Compensation capacitor pin
B-COMP	O	AMPLIFIER B COMPENSATION - Compensation capacitor pin
C-COMP	O	AMPLIFIER C COMPENSATION - Compensation capacitor pin
D-COMP	O	AMPLIFIER D COMPENSATION - Compensation capacitor pin

## CONTROL (Continued)

NAME	TYPE	DESCRIPTION
SE2	I	MOTOR CURRENT SENSE INPUT - Non-inverting input to the current sense differential amplifier. It should be connected to one side of an external current sensing resistor in series with the motor. The inverting input of the differential amplifier is connected internally to SE1.

## BIPOLAR DRIVE

SE3	I	MOTOR VOLTAGE SENSE INPUT - This input provides feedback to the non-inverting BIPOLAR driver amplifier. It is connected to one side of the motor. The gain to this point is: $SE3-VREF = 8.5 (ERR-VREF)$
SE1	I	MOTOR VOLTAGE SENSE INPUT - This input provides feedback to the inverting BIPOLAR driver amplifier. It is connected to the current sensing resistor which is in series with the motor. The gain to this point is: $SE1 - VREF = -8.5 (ERR-VREF)$
OUTA	O	PNP DRIVE (INVERTING) - Drive signal for a PNP power transistor connected between the current sense resistor and VCC. The PNP collector is also connected to SE1. Crossover protection circuitry ensures that the PNP and NPN devices driven by OUTA and OUTB are never simultaneously enabled.
OUTB	O	NPN DRIVE (INVERTING) - Drive signal for an NPN power transistor connected between the current sense resistor and GND. This NPN collector is also connected to SE1.
OUTC	O	PNP DRIVE (NON-INVERTING) - Drive signal for a PNP power transistor connected between one side of the motor and VCC. This PNP collector is connected to SE3. Crossover protection circuitry ensures that the PNP and NPN devices driven by OUTC and OUTD are never simultaneously enabled.
OUTD	O	NPN DRIVE (NON-INVERTING) - Drive signal for an NPN power transistor connected between one side of the motor and GND. This NPN collector is connected to SE3. Crossover protection circuitry ensures that the PNP and NPN devices driven by OUTC and OUTD are never simultaneously enabled.

# SSI 32H6240

## Servo Motor Driver

### ELECTRICAL SPECIFICATIONS

#### ABSOLUTE MAXIMUM RATINGS

(Maximum limits indicates where permanent device damage occurs. Continuous operation at these limits is not intended and should be limited to those conditions specified in the DC operating characteristics.)

PARAMETER	CONDITIONS	MIN	TYP	MAX	UNITS
VCC		0		16	V
VREF		0		10	V
+5V		0		7	V
SE1, SE2, SE3		-1.5		15	V
DISABLE, RETRACT		-3		+5V + .3	V
All other pins		-3		VCC + .3	V
Storage temperature		-45		165	°C
Solder temperature	10 sec duration			260	°C

**RECOMMENDED OPERATION CONDITIONS** (Unless otherwise noted, the following conditions are valid throughout this document.)

VCC	Normal Mode	9	12	13.2	V
	Retract Mode	3.5V		13.2	V
+5V		4.5	5	5.5	V
VREF		4.5	5	5.5	V
Operating temperature		0		70	°C

#### DC CHARACTERISTICS

ICC, VCC current			13	20	mA
I5V, +5V Current			0.6	1	mA
IREF, VREF current			300		µA

#### A1, LOOP COMPENSATION AMPLIFIER

Input bias current				500	nA
Input offset voltage				3	mV
Voltage swing	About VREF		2		V
Common mode range	About VREF	±1			V
Load resistance	To VREF	4			kΩ
Gain			80		dB
Unity gain bandwidth			1		MHz
CMRR	f < 20 kHz		60		dB
PSRR	f < 20 kHz		60		dB

## A2, CURRENT SENSE AMPLIFIER

PARAMETER	CONDITIONS	MIN	TYP	MAX	UNITS
Input impedance	SE1 to SE2	7.0	10		k $\Omega$
Input offset voltage	SE1 = SE2 = VREF			2	mV
Output voltage swing		VREF-4		VCC-1.2	V
Common mode range		0		VCC-0.2	V
Load Resistance	To VREF	4			k $\Omega$
Output impedance	f < 40 kHz			20	$\Omega$
Gain (SOUT-VREF)/(SE1-SE2)	VSE2 = VREF	1.95	2	2.05	V/V
Unity gain bandwidth			1		MHz
CMRR	f < 20 kHz		52		dB
PSRR	f < 20 kHz		60		dB

6

## POWER SUPPLY MONITOR

1.3V pin voltage	1.3V pin open	1.18	1.25	1.31	V
PS1 threshold			1.25		V
PS2 threshold			1.25		V
PS1, PS2 Hysteresis			20		mV
PS1, PS2 Input Bias Current	PS1, PS2 = 1.3V		1		$\mu$ A
PFAIL VOL	Linear mode IOC = 1mA			0.4	V
BRK VOL	Linear mode IOC = 1mA			0.4	V
PFAIL IOH	Retract mode VOH = 12V			10	$\mu$ A
BRK IOH	Retract mode VOH = 12V			10	$\mu$ A
DISABLE IIL	VIL = 0.8V		2	20	$\mu$ A
RETRACT IIL	VIL = 0.8V		2	10	$\mu$ A
DISABLE IIH	VIH = 2.4		1	10	$\mu$ A
RETRACT IIH	VIH = 2.4		1	10	$\mu$ A
DISABLE and RETRACT Threshold Voltage			1.4		V

# SSI 32H6240

## Servo Motor Driver

### BIPOLAR DRIVERS

PARAMETER	CONDITIONS	MIN	TYP	MAX	UNITS
SE3 Input Impedance	To VREF	10	25		k $\Omega$
A Comp, C Comp Voltage Swing	w/ External Trans.	VCC - 1.4		VCC - .7	V
B comp, D Comp Voltage Swing	w/ External Trans.	0.7		1.4	V
Output Impedance A, B, C, D Comp	Output Off, No External Trans.		75		k $\Omega$
Transconductance I (A, B, C, D Comp)/(ERR-VREF)			6		mA/V
Gain -(SE1-VREF)/(ERR-VREF) or (SE3-VREF)/(ERR-VREF)	Includes External Trans.	8	8.5	9	V/V
Offset Current (A2 Vos)	Rs = 0.5 $\Omega$ Rf = Rin Vin = Vref		3.5		mA
Retract Motor Voltage (SE1-SE3)		0.7	1.3	1.7	V
Out B, Out D Source Current	Vout = 0.8V	20			mA
Out B, Out D Current Limit	Vcc = 10.8V, Out B, D = 0.8V Vcc = 12.0V, Out B, D = 0.8V	20 23	25 27	30 33	mA mA
Out A, Out C Sink Current	Vout = 11.2V	20			mA
B and D Output NPN Output Transistor Beta	Ic = 20mA Vce = 10V		20		V/V
A and C Output PNP Output Transistor Beta	Ic = 20mA Vce = 10V		10		V/V



# SSI 32H6240 Servo Motor Driver

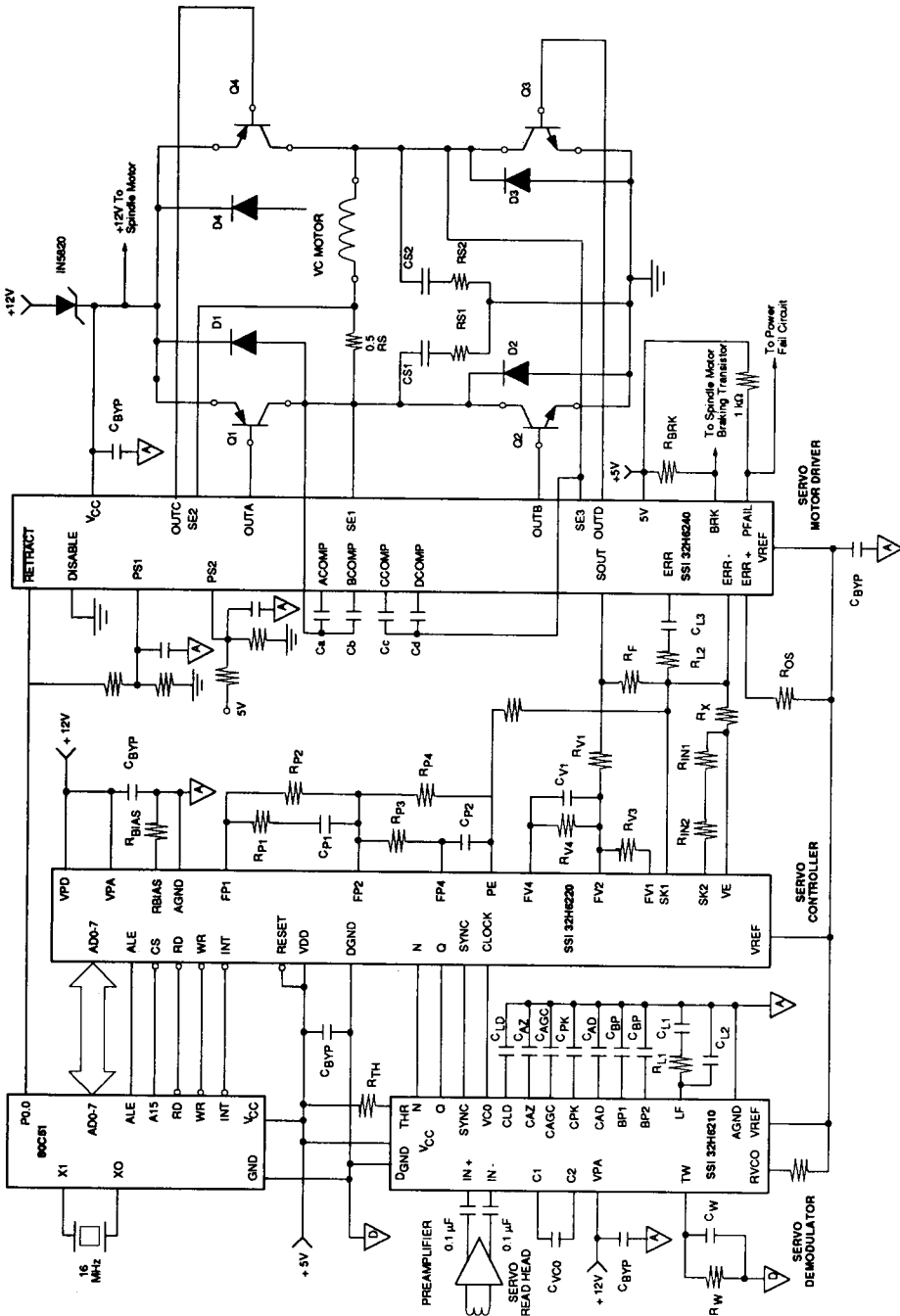


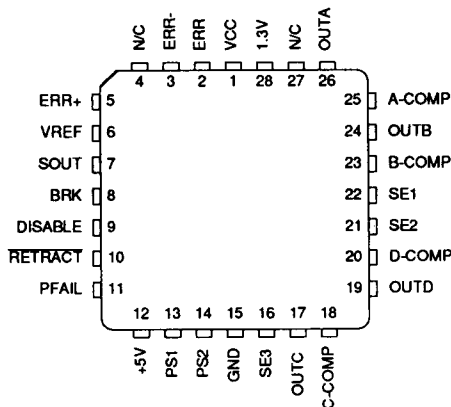
FIGURE 3: Complete Example of Servo Path Electronics using the SSI 32H6210/6220/6240 Chip Set



# SSI 32H6240 Servo Motor Driver

## PACKAGE PIN DESIGNATIONS (TOP VIEW)

CAUTION: Use handling procedures necessary for a static sensitive component.



28-Pin PLCC

**Advance Information:** Indicates a product still in the design cycle, and any specifications are based on design goals only. Do not use for final design.

No responsibility is assumed by Silicon Systems for use of this product nor for any infringements of patents and trademarks or other rights of third parties resulting from its use. No license is granted under any patents, patent rights or trademarks of Silicon Systems. Silicon Systems reserves the right to make changes in specifications at any time without notice. Accordingly, the reader is cautioned to verify that the data sheet is current before placing orders.

Silicon Systems, Inc., 14351 Myford Road, Tustin, CA 92680, (714) 573-6000, FAX: (714) 573-6914