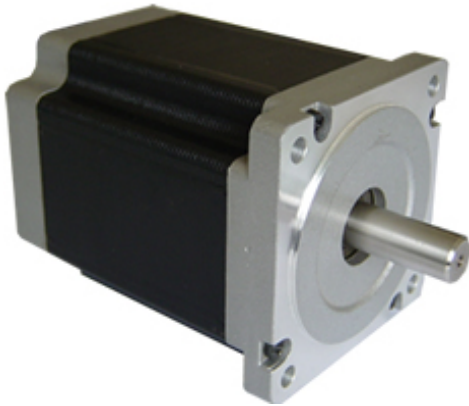
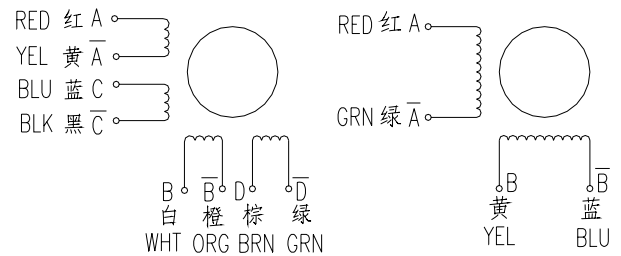


2 Phase Hybrid Stepper Motor 34H2M series-Size 86mm(0.9 degree)



Wiring Diagram:



UNI/BI-POLAR(8 LEADS)

BI-POLAR(4LEADS)

Electrical Specifications (UNI-POLAR):

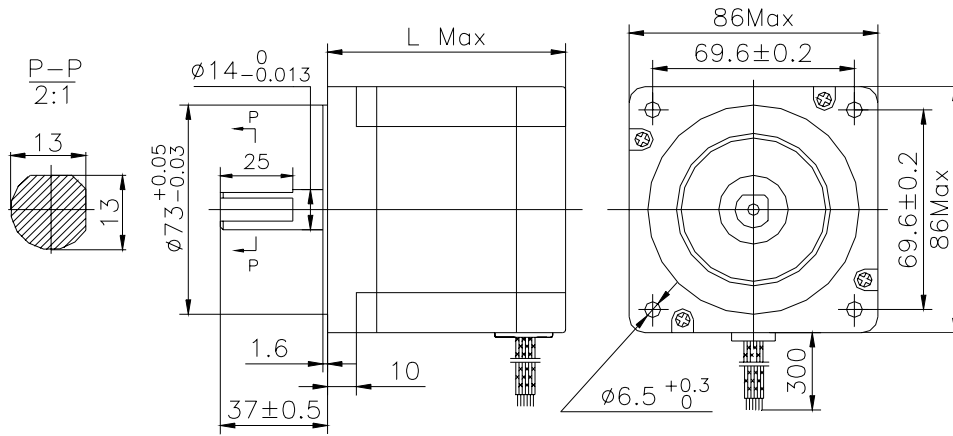
Series Model	Old P/N	Motor Length (mm)	Rated Current (A)	Phase Resistance (ohm)	Phase Inductance (mH)	Holding Torque (N.cm Min)	Detent Torque (N.cm Max)	Rotor Inertia (g.cm ²)	Lead Wire (No.)	Motor Weight (kg)
34H2M6840	34HM6801	66	4.0	0.6	1.6	200	5.0	0.85	8	2.0
34H2M6850	34HM6802	66	5.0	0.4	1.0	200	5.0	0.85	8	2.0
34H2M6827	34HM6803	66	2.7	1.2	3.5	200	5.0	0.85	8	2.0
34H2M8840	34HM8801	78	4.0	0.7	3.0	270	5.5	1.05	8	2.5
34H2M8850	34HM8802	78	5.0	0.5	0.9	270	5.5	1.05	8	2.5
34H2M8827	34HM8803	78	2.7	1.6	5.6	270	5.5	1.05	8	2.5
34H2M9840	34HM9801	98	4.0	0.98	4.1	450	8.0	1.55	8	3.0
34H2M9850	34HM9802	98	5.0	0.65	2.4	450	8.0	1.55	8	3.0
34H2M9827	34HM9803	98	2.7	1.9	8.6	450	8.0	1.55	8	3.0
34H2M4840	34HM4801	114	4.0	1.1	5.5	520	10.0	1.80	8	4.0
34H2M4850	34HM4802	114	5.0	0.75	3.2	520	10.0	1.80	8	4.0
34H2M4827	34HM4803	114	2.7	2.0	11.5	520	10.0	1.80	8	4.0
34H2M2840	34HM2801	126	4.0	1.3	5.8	580	15.5	2.20	8	4.5
34H2M2850	34HM2802	126	5.0	0.85	3.4	580	15.5	2.20	8	4.5
34H2M2827	34HM2803	126	2.7	2.5	12.5	580	15.5	2.20	8	4.5
34H2M5840	34HM5801	150	4.0	1.4	9.2	780	19.0	2.50	8	5.0
34H2M5850	34HM5802	150	5.0	0.9	5.2	780	19.0	2.50	8	5.0
34H2M5827	34HM5803	150	2.7	2.9	17.5	780	19.0	2.50	8	5.0

***Note:**

- 1) We can manufacture products according to customer's requirements.
- 2) The Holding Torque of Bipolar = 1.414 x above Unipolar' Holding Torque.

MotionKing (China) Motor Industry Co., Ltd.

Dimensions: unit=mm



Motor Length:

Model	Length
34H2M6XXX	66 mm
34H2M8XXX	78 mm
34H2M9XXX	98 mm
34H2M4XXX	114 mm
34H2M2XXX	126 mm
34H2M5XXX	150 mm