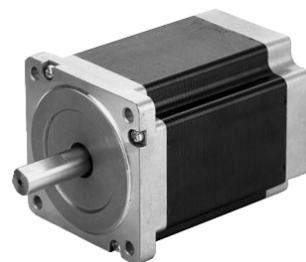


86mm(3.39in.)

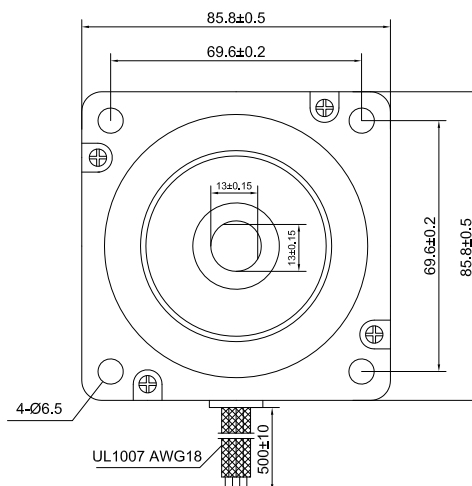
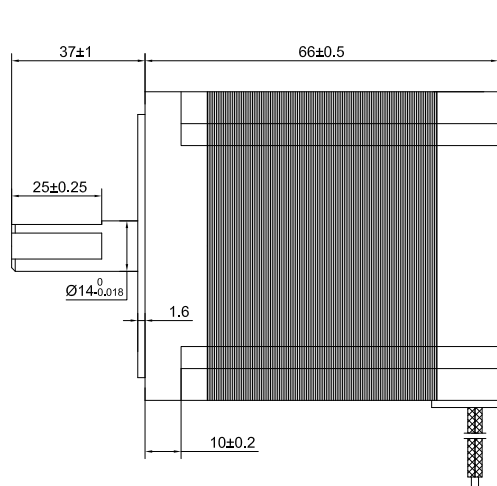
Step Angle 0.72° 34HF 5-Phase Type

Common Rating

Item	Specification
Step Angle Accuracy	±5% (full step, no load)
Temperature Rise	80°C Max. (rated current, 2 phase on)
Ambient Temperature	-10°C ~ +50°C
Insulation Resistance	100MΩ Min. 500VDC
Dielectric Strength	500VAC for one minute



Dimension Unit = mm(in.)



Specifications

Model	Torque		Voltage	Current	Resistance	Inertia	Weight	Bi/Unipolar	Length "L"	
	N.m	lb.ft	V/Phase	A/Phase	Ohm/Phase	Kg.cm ²	Kg	# of Leads	mm	in
34HF26-1405S	2.2	1.6	2.1	1.4	1.5	1.4	1.8	Bi (5)	66	2.60
34HF26-2805S	2.2	1.6	0.67	2.8	0.24	1.4	1.8	Bi (5)	66	2.60
34HF38-1405S	4	3.0	3.22	1.4	2.3	2.7	2.8	Bi (5)	96	3.78
34HF38-2805S	4	3.0	1.46	2.8	0.52	2.7	2.8	Bi (5)	96	3.78
34HF50-1405S	6.2	4.6	4.2	1.4	3	4	3.8	Bi (5)	126	4.96
34HF50-2805S	6.2	4.6	2.24	2.8	0.8	4	3.8	Bi (5)	126	4.96

* Specify -S for Single Shaft; -D for Double Shaft * All motor's specifications are based on full-step constant current operation