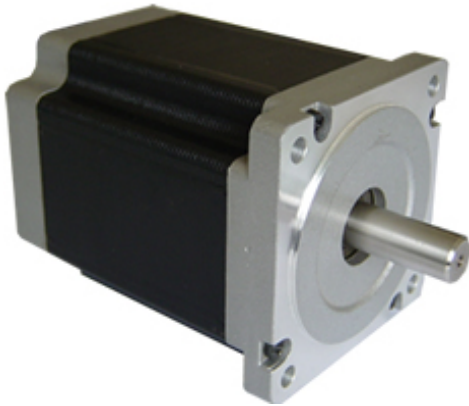
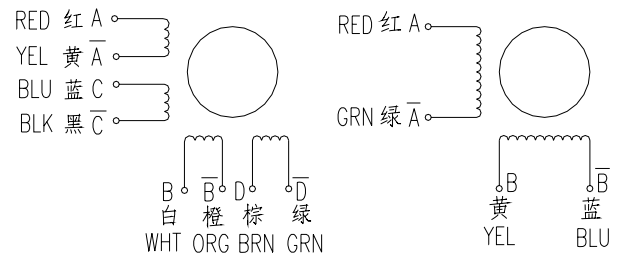


2 Phase Hybrid Stepper Motor 34HM series-Size 86mm(0.9 degree)



Wiring Diagram:



UNI/BI-POLAR(8 LEADS)

BI-POLAR(4LEADS)

Electrical Specifications (UNI-POLAR):

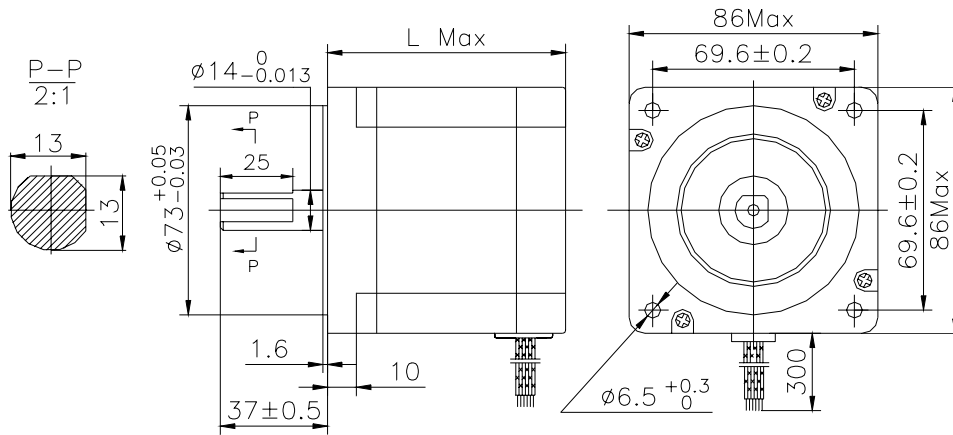
Series Model	Step Angle (deg)	Motor Length (mm)	Rated Current (A)	Phase Resistance (ohm)	Phase Inductance (mH)	Holding Torque (N.cm Min)	Detent Torque (N.cm Max)	Rotor Inertia (g.cm ²)	Lead Wire (No.)	Motor Weight (kg)
34HM6801	0.9	66	4.0	0.6	1.6	200	5.0	0.85	8	2.0
34HM6802	0.9	66	5.0	0.4	1.0	200	5.0	0.85	8	2.0
34HM6803	0.9	66	2.7	1.2	3.5	200	5.0	0.85	8	2.0
34HM8801	0.9	78	4.0	0.7	3.0	270	5.5	1.05	8	2.5
34HM8802	0.9	78	5.0	0.5	0.9	270	5.5	1.05	8	2.5
34HM8803	0.9	78	2.7	1.6	5.6	270	5.5	1.05	8	2.5
34HM9801	0.9	98	4.0	0.98	4.1	450	8.0	1.55	8	3.0
34HM9802	0.9	98	5.0	0.65	2.4	450	8.0	1.55	8	3.0
34HM9803	0.9	98	2.7	1.9	8.6	450	8.0	1.55	8	3.0
34HM4801	0.9	114	4.0	1.1	5.5	520	10.0	1.80	8	4.0
34HM4802	0.9	114	5.0	0.75	3.2	520	10.0	1.80	8	4.0
34HM4803	0.9	114	2.7	2.0	11.5	520	10.0	1.80	8	4.0
34HM2801	0.9	126	4.0	1.3	5.8	580	15.5	2.20	8	4.5
34HM2802	0.9	126	5.0	0.85	3.4	580	15.5	2.20	8	4.5
34HM2803	0.9	126	2.7	2.5	12.5	580	15.5	2.20	8	4.5
34HM5801	0.9	150	4.0	1.4	9.2	780	19.0	2.50	8	5.0
34HM5802	0.9	150	5.0	0.9	5.2	780	19.0	2.50	8	5.0
34HM5803	0.9	150	2.7	2.9	17.5	780	19.0	2.50	8	5.0

***Note:**

- 1) We can manufacture products according to customer's requirements.
- 2) We can also supply BI-POLAR stepper motors, but they were not listed, the details please contact us.

MotionKing (China) Motor Industry Co., Ltd.

Dimensions: unit=mm



Motor Length:

Model	Length
34HM6XXX	66 mm
34HM8XXX	78 mm
34HM9XXX	98 mm
34HM4XXX	114 mm
34HM2XXX	126 mm
34HM5XXX	150 mm