

○86mm(○33.9in.)

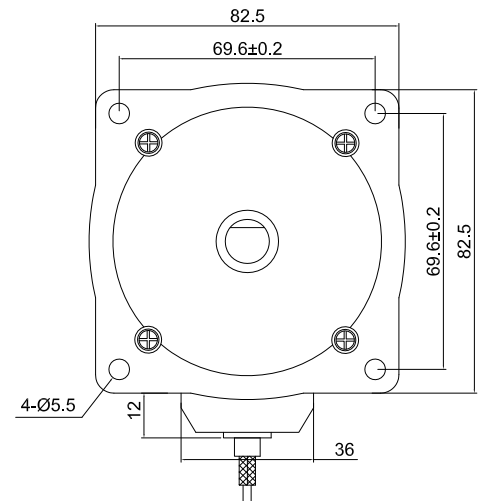
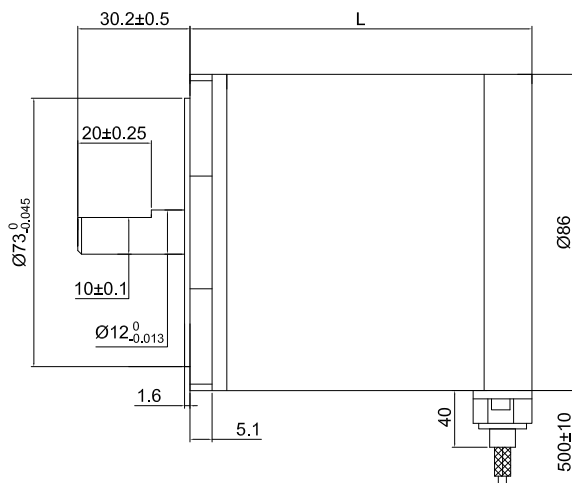
Step Angle 1.8° 34HR High-Torque Type

Common Rating

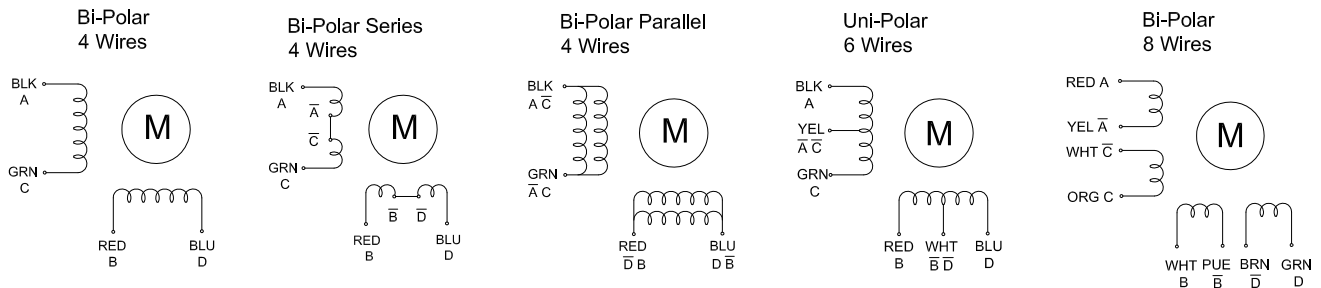
Item	Specification
Step Angle Accuracy	±5% (full step, no load)
Temperature Rise	80°C Max. (rated current, 2 phase on)
Ambient Temperature	-10°C~+50°C
Insulation Resistance	100MΩMin. 500VDC
Dielectric Strength	500VAC for one minute



Dimension Unit = mm(in.)



Wiring Diagram



Specifications

Model	Torque		Voltage	Current	Resistance	Inductance	Inertia	# of Leads	Weight		Length "L"	
	N.m	lb.ft	V/Phase	A/Phase	Ohm/Phase	mH/Phase	g.cm2		Kg	mm	in	
34HR24-4508S	1.6	1.2	1.4	4.5	0.31	1.3	640	8	1.6	62	2.44	
34HR24-1604S	1.76	1.3	5.8	1.6	3.6	27	640	4	1.6	62	2.44	
34HR24-2504S	1.96	1.4	2.35	2.5	0.94	7	640	4	1.6	62	2.44	
34HR36-4008S	2.8	2.1	3	4	0.75	3.5	1300	8	2.6	92	3.62	
34HR36-3004S	4	3.0	3.6	3	1.2	11	1300	4	2.6	92	3.62	
34HR36-4004S	4.1	3.0	2.8	4	0.7	9.8	1300	4	2.6	92	3.62	
34HR51-3508S	4	3.0	4.2	3.5	1.2	5.2	1900	8	3.8	129	5.08	
34HR51-4008S	4	3.0	4	4	1	6	1900	8	3.8	129	5.08	

* Specify -S for Single Shaft; -D for Double Shaft * All motor's specifications are based on full-step constant current operation