

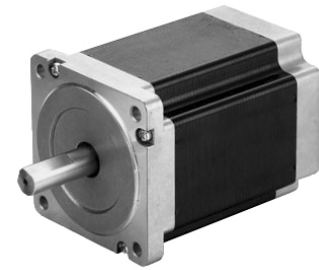
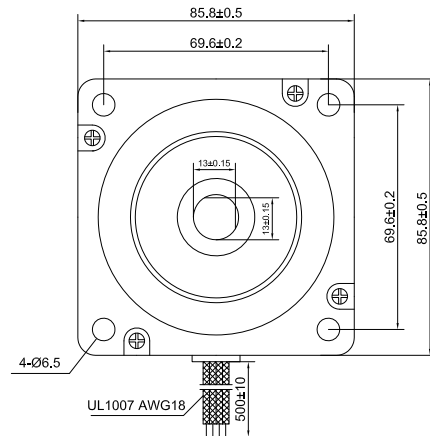
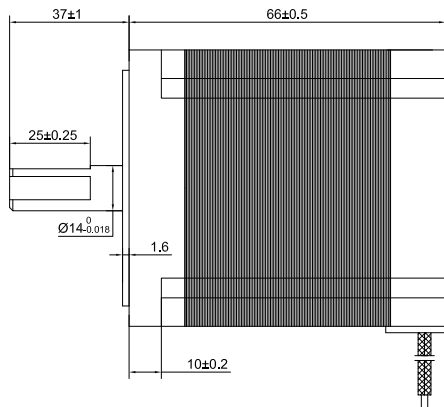
# 86mm(3.39in.)

Step Angle 1.8° 34HS High-Torque Type

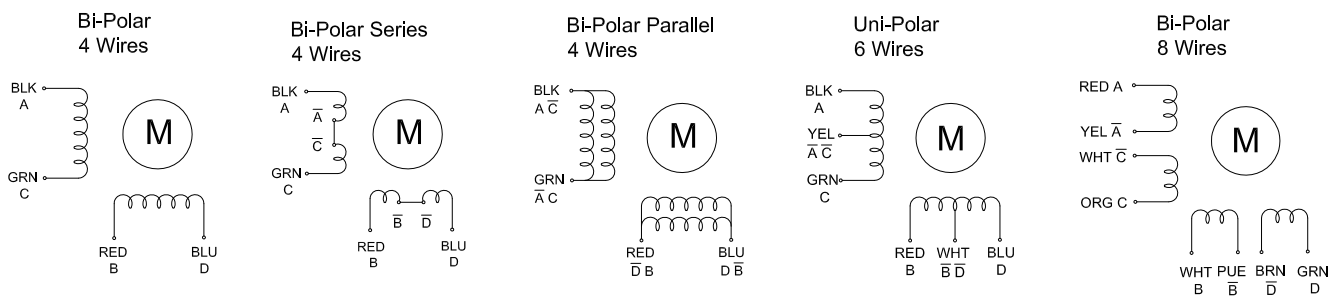
## Common Rating

Item	Specification
Step Angle Accuracy	±5% (full step, no load)
Temperature Rise	80°C Max. (rated current, 2 phase on)
Ambient Temperature	-10°C ~ +50°C
Insulation Resistance	100MΩ Min. 500VDC
Dielectric Strength	500VAC for one minute

## Dimension Unit = mm(in.)



## Wiring Diagram



## Specifications

Model	Torque		Voltage	Current	Resistance	Inductance	Inertia	# of Leads	Weight		Length "L"	
	N.m	lb.ft	V/Phase	A/Phase	Ohm/Phase	mH/Phase	kg.cm2		Kg	mm	in	
34HS27-1404S	2.8	2.1	5.6	1.4	4	24	1	4	1.8	68	2.68	
34HS27-4004S	2.8	2.1	2.4	4	0.6	2.8	1	4	1.8	68	2.68	
34HS31-3008S	3.2	2.4	4.6	3	1.55	6.76	1.4	8	2.3	80	3.15	
34HS31-5504S	4.5	3.3	2.2	5.5	0.4	3.5	1.4	4	2.3	80	3.15	
34HS38-3008S	5	3.7	4.8	3	1.6	8	1.8	8	2.8	97	3.82	
34HS38-4006S	4.4	3.2	3.4	4	0.85	5	1.8	6	2.8	97	3.82	
34HS46-4208S	6	4.4	5	4.2	1.2	6.5	2.7	8	3.6	116	4.57	
34HS46-5004S	8.5	6.3	5	5	1	11	2.7	4	3.6	116	4.57	
34HS50-6404S	7	5.2	1.8	6.4	0.28	2.85	3	4	3.8	126	4.96	
34HS50-4008S	6.8	5.0	6	4	1.5	8	3	8	3.8	126	4.96	
34HS52-7004S	9	6.6	2.8	7	0.4	4	3.3	4	4.2	131	5.16	
34HS52-3004S	9	6.6	5.1	3	1.7	18	3.3	4	4.2	131	5.16	
34HS59-5004S	13	9.6	5	5	1	11	3.6	4	5	150	5.91	
34HS61-5004S	11	8.1	4	5	0.8	10	3.6	4	5	155	6.10	
34HS61-6504S	11	8.1	3.9	6.5	0.6	7	3.6	4	5	155	6.10	

\* Specify -S for Single Shaft; -D for Double Shaft \* All motor's specifications are based on full-step constant current operation