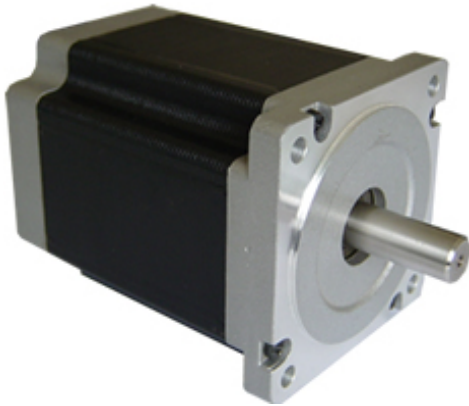
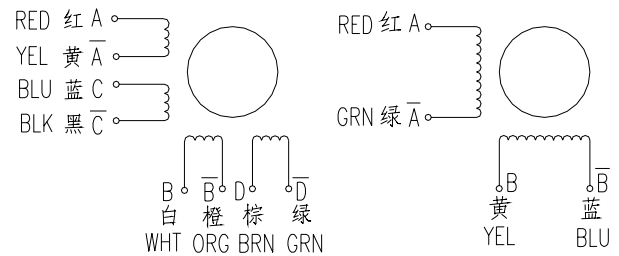


2 Phase Hybrid Stepper Motor 34HS series-Size 86mm(1.8 degree)



Wiring Diagram:



UNI/BI-POLAR(8 LEADS)

BI-POLAR(4LEADS)

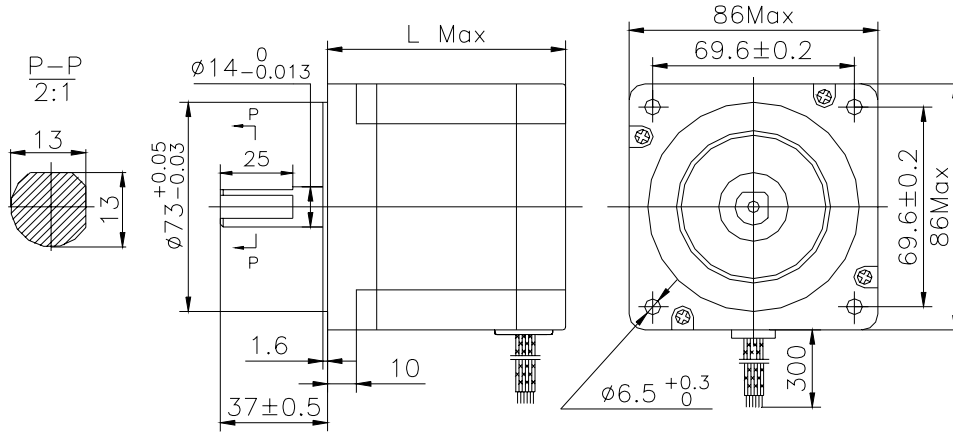
Electrical Specifications (UNI-POLAR):

Series Model	Step Angle (deg)	Motor Length (mm)	Rated Current (A)	Phase Resistance (ohm)	Phase Inductance (mH)	Holding Torque (N.cm Min)	Detent Torque (N.cm Max)	Rotor Inertia (g.cm ²)	Lead Wire (No.)	Motor Weight (kg)
34HS6801	1.8	63	4.0	0.6	1.6	220	5.5	0.85	8	2.0
34HS6802	1.8	63	5.0	0.4	1.0	220	5.5	0.85	8	2.0
34HS6803	1.8	63	2.7	1.2	3.5	220	5.5	0.85	8	2.0
34HS8801	1.8	78	4.0	0.7	3.0	300	6.5	1.05	8	2.5
34HS8802	1.8	78	5.0	0.5	1.8	300	6.5	1.05	8	2.5
34HS8803	1.8	78	2.7	1.6	5.6	300	6.5	1.05	8	2.5
34HS9801	1.8	98	4.0	0.98	4.1	490	9.5	1.55	8	3.0
34HS9802	1.8	98	5.0	0.65	2.4	490	9.5	1.55	8	3.0
34HS9803	1.8	98	2.7	1.9	8.6	490	9.5	1.55	8	3.0
34HS4801	1.8	114	4.0	1.1	5.5	580	12.5	1.8	8	4.0
34HS4802	1.8	114	5.0	0.75	3.2	580	12.5	1.8	8	4.0
34HS4803	1.8	114	2.7	2.0	11.5	580	12.5	1.8	8	4.0
34HS2801	1.8	126	4.0	1.3	5.8	640	18.5	2.2	8	4.5
34HS2802	1.8	126	5.0	0.85	3.4	640	18.5	2.2	8	4.5
34HS2803	1.8	126	2.7	2.5	12.5	640	18.5	2.2	8	4.5
34HS5801	1.8	150	4.0	1.4	9.2	850	24.5	2.5	8	5.0
34HS5802	1.8	150	5.0	0.9	5.2	850	24.5	2.5	8	5.0
34HS5803	1.8	150	2.7	2.9	17.5	850	24.5	2.5	8	5.0
34HS5804	1.8	150	4.7	0.75	8.4	930	28	3.7	4	5.0

***Note:**

- 1) We can manufacture products according to customer's requirements.
- 2) We can also supply BI-POLAR stepper motors, but they were not listed, the details please contact us.

Dimensions: unit=mm



Motor Length:

Model	Length
34HS6XXX	66 mm
34HS8XXX	78 mm
34HS9XXX	98 mm
34HS4XXX	114 mm
34HS2XXX	126 mm
34HS5XXX	150 mm