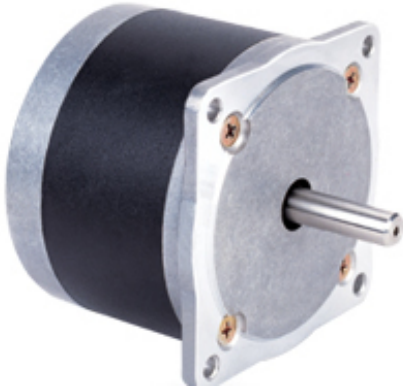
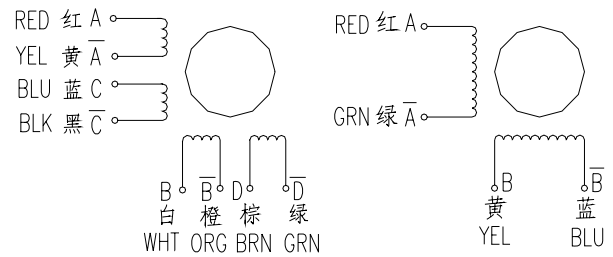


2 Phase Hybrid Stepper Motor 34HY series-Size 86mm(1.8 degree)



Wiring Diagram:



UNI/BI-POLAR(8 LEADS)

BI-POLAR(4LEADS)

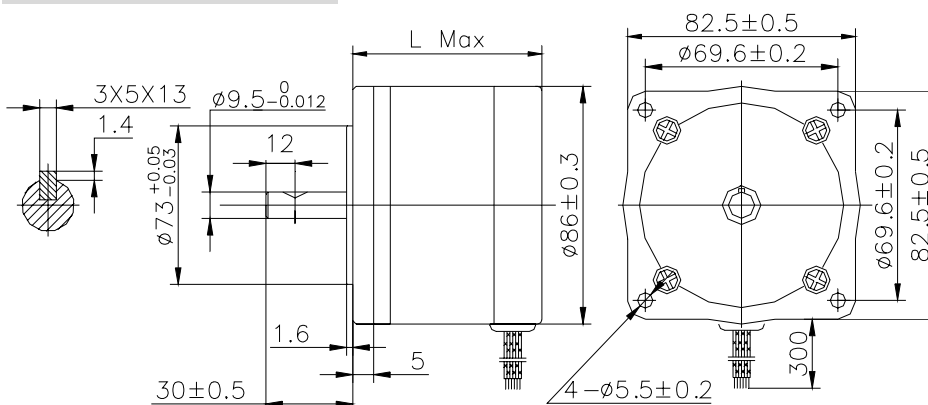
Electrical Specifications (UNI-POLAR):

Series Model	Step Angle (deg)	Motor Length (mm)	Rated Current (A)	Phase Resistance (ohm)	Phase Inductance (mH)	Holding Torque (N.cm Min)	Detent Torque (N.cm Max)	Rotor Inertia (g.cm ²)	Lead Wire (No.)	Motor Weight (kg)
34HY6801	1.8	63	4.0	0.68	2.0	180	4.5	0.64	8	1.6
34HY6802	1.8	63	5.0	0.45	1.5	180	4.5	0.64	8	1.6
34HY6803	1.8	63	2.7	1.2	4.5	180	4.5	0.64	8	1.6
34HY6804	1.8	63	2.1	1.9	7.2	180	4.5	0.64	8	1.6
34HY9801	1.8	92	4.0	0.89	3.8	320	6.5	1.3	8	2.6
34HY9802	1.8	92	5.0	0.58	2.8	320	6.5	1.3	8	2.6
34HY9803	1.8	92	2.7	1.7	9.0	320	6.5	1.3	8	2.6
34HY9804	1.8	92	2.1	2.7	15	320	6.5	1.3	8	2.6
34HY1801	1.8	122	4	1.1	5.6	450	10.5	1.9	8	3.8
34HY1802	1.8	122	5.0	0.82	3.6	450	10.5	1.9	8	3.8
34HY1803	1.8	122	2.7	2.5	12.5	450	10.5	1.9	8	3.8

*Note:

- 1) We can manufacture products according to customer's requirements.
- 2) We can also supply BI-POLAR stepper motors, but they were not listed, the details please contact us.

Dimensions: unit=mm



Moto Length:

Model	Length
34HY6XXX	63 mm
34HY9XXX	92 mm
34HY1XXX	122 mm