



Metal Oxide Varistors

34S Series

Metal Oxide Varistors - 34S Series

Features

- Wide operating voltage (V_{1mA}) range from 100V to 1600V.
- Fast responding to transient over-voltage.
- Large absorbing transient energy capability.
- Low clamping ratio and no following-on current.



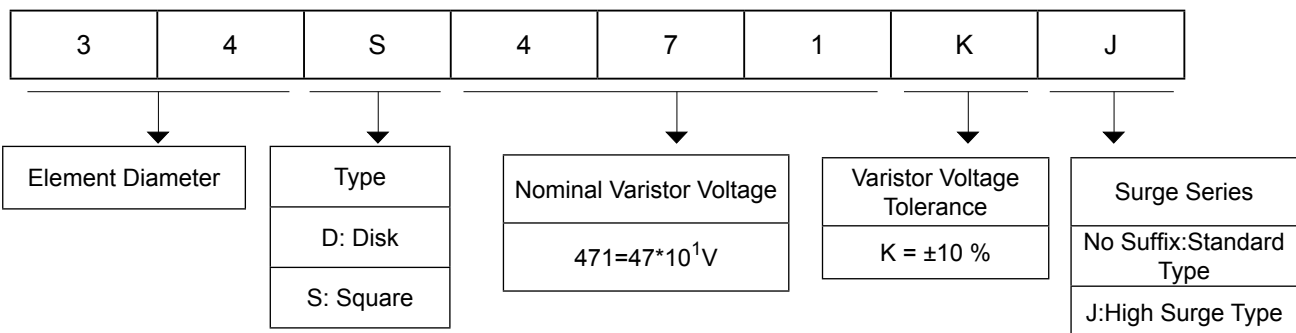
General Information

- Transistor, diode, IC, thyristor or triac semiconductor protection
- Surge protection in consumer electronics
- Surge protection in industrial electronics
- Surge protection in electronic home appliances, gas and petroleum appliances
- Relay and electromagnetic valve surge absorption

General Characteristics

- No Radioactive Material Storage Temperature: -40 °C to +125°C
- Operating Temperature: -40°C to +85°C
- Body: Nickel Plated
- Leads: Surface-mount, Axial Devices: Tin Plated
- Devices with No Leads: Nickel Plated

Product Name



Metal Oxide Varistors - 34S Series

Electrical Characteristics

| Type Number | Maximum Allowable Voltage | | Varistor Voltage $V_{1mA}(V)$ | Maximum Clamping Voltage | | Withstanding Surge Current $I(A)$ | Maximum Energy (10/1000 μ s) (J) | Typical Capacitance (Reference) @1KHz(pF) |
|-------------|---------------------------|-------------|----------------------------------|--------------------------|----------|--------------------------------------|--|---|
| | $V_{AC}(V)$ | $V_{DC}(V)$ | | $I_P(A)$ | $V_C(V)$ | | | |
| 34S101K | 60 | 85 | 100(90~110) | 300 | 165 | 30000 | 165 | 15500 |
| 34S201K | 130 | 170 | 200(180~220) | 300 | 340 | 40000 | 330 | 8000 |
| 34S221K | 140 | 180 | 220(198~242) | 300 | 360 | 40000 | 360 | 7800 |
| 34S241K | 150 | 200 | 240(216~264) | 300 | 395 | 40000 | 390 | 7600 |
| 34S271K | 175 | 225 | 270(243~297) | 300 | 455 | 40000 | 420 | 7200 |
| 34S301K | 190 | 250 | 300(270~330) | 300 | 500 | 40000 | 460 | 7000 |
| 34S331K | 210 | 275 | 330(297~363) | 300 | 550 | 40000 | 500 | 6400 |
| 34S361K | 230 | 300 | 360(324~396) | 300 | 595 | 40000 | 510 | 6000 |
| 34S391K | 250 | 320 | 390(351~429) | 300 | 650 | 40000 | 530 | 4800 |
| 34S431K | 275 | 350 | 430(387~473) | 300 | 710 | 40000 | 600 | 4600 |
| 34S471K | 300 | 385 | 470(423~517) | 300 | 775 | 40000 | 650 | 4100 |
| 34S511K | 320 | 415 | 510(459~561) | 300 | 845 | 40000 | 700 | 4000 |
| 34S561K | 350 | 460 | 560(504~616) | 300 | 925 | 40000 | 730 | 3800 |
| 34S621K | 385 | 505 | 620(558~682) | 300 | 1025 | 40000 | 780 | 3600 |
| 34S681K | 420 | 560 | 680(612~748) | 300 | 1120 | 40000 | 810 | 3300 |
| 34S751K | 460 | 615 | 750(675~825) | 300 | 1240 | 40000 | 850 | 3000 |
| 34S781K | 485 | 640 | 780(702~858) | 300 | 1290 | 40000 | 930 | 2850 |
| 34S821K | 510 | 670 | 820(738~902) | 300 | 1355 | 40000 | 970 | 2700 |
| 34S911K | 550 | 745 | 910(819~1001) | 300 | 1500 | 40000 | 1050 | 2100 |
| 34S951K | 575 | 765 | 950(855~1045) | 300 | 1570 | 40000 | 1080 | 1900 |
| 34S102K | 625 | 825 | 1000(900~1100) | 300 | 1650 | 40000 | 1120 | 1700 |
| 34S112K | 680 | 895 | 1100(990~1210) | 300 | 1815 | 40000 | 1250 | 1520 |
| 34S122K | 750 | 990 | 1200(1350~1650) | 300 | 1980 | 40000 | 1250 | 1400 |
| 34S142K | 880 | 1140 | 1400(1260~1540) | 300 | 2310 | 40000 | 1400 | 1200 |
| 34S162K | 1000 | 1280 | 1600(1440~1760) | 300 | 2640 | 40000 | 1500 | 1100 |

Metal Oxide Varistors - 34S Series

Package Dimensions

Unit:mm

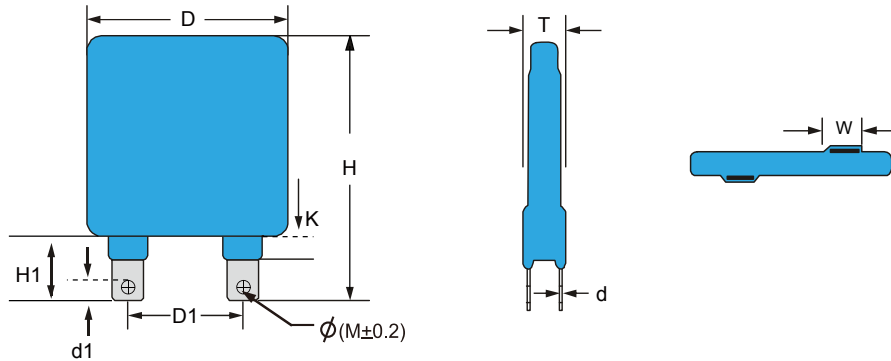


TABLE 1

| Symbol | Dimensions |
|----------|------------|
| H(max.) | 56.6 |
| H1(max.) | 14.5 |
| D(max.) | 44.0 |
| D1±1.0) | 25.4 |
| T(max.) | TABLE 2 |
| d(±0.1) | 0.5 |
| d1(±0.3) | 3.4 |
| K(max.) | 3.18 |
| W(±0.5) | 7.0 |
| (M±0.2) | 3.8 |

TABLE 2

| Model | T(max.) | Model | T(max.) |
|-------|---------|-------|---------|
| 101K | 5.8 | 621K | 8.7 |
| 201K | 6.2 | 681K | 9.0 |
| 221K | 6.3 | 751K | 9.4 |
| 241K | 6.4 | 781K | 9.6 |
| 271K | 6.6 | 821K | 9.8 |
| 301K | 6.8 | 911K | 10.4 |
| 331K | 6.9 | 951K | 10.6 |
| 361K | 7.1 | 102K | 11.2 |
| 391K | 7.3 | 112K | 11.8 |
| 431K | 7.5 | 122K | 12.3 |
| 471K | 7.8 | 142K | 13.3 |
| 511K | 8.0 | 162K | 14.3 |
| 561K | 8.3 | | |

RuiLongYuan Electronics Co., Ltd.

- Reproducing and modifying information of the document is prohibited without permission from Ruilongyuan International Inc.
- Ruilongyuan International Inc. reserves the rights to make changes of the content herein the document anytime without notification. Please refer to our website for the latest document.
- Ruilongyuan International Inc. disclaims any and all liability arising out of the application or use of any product including damages incidentally and consequentially occurred.
- Ruilongyuan International Inc. does not assume any and all implied warranties, including warranties of fitness for particular purpose, non-infringement and merchantability.
- Applications shown on the herein document are examples of standard use and operation. Customers are responsible in comprehending the suitable use in particular applications. Ruilongyuan International Inc. makes no representation or warranty that such applications will be suitable for the specified use without further testing or modification.
- The products shown herein are not designed and authorized for equipments requiring high level of reliability or relating to human life and for any applications concerning life-saving or life-sustaining, such as medical instruments, transportation equipment, aerospace machinery et cetera. Customers using or selling these products for use in such applications do so at their own risk and agree to fully indemnify Ruilongyuan International Inc. for any damages resulting from such improper use or sale.

Tel: +86-755-8290 8296

Fax: +86-755-8290 8002

E-mail: jack@ruilon.com