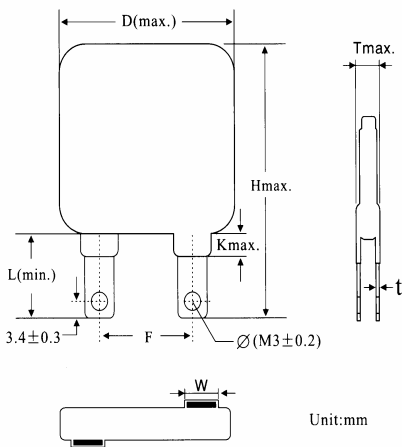


● **34S series**

Model Number	Maximum Allowable Voltage		Varistor Voltage V <sub>1m</sub> (V)	Clamping Voltage (MAX.)		Maximum Peak Current (8/20μs)		Maximum Energy (JOULE) 10/1000 μs	Typical Capacitance (Reference) @1KHz (pf)	UL	SF
	AC (V)	DC (V)		VC (V)	IP (A)	1 time (A)	2 time (A)				
	34S201K	130	170	200(185-225)	340	300	40000	20000	330		
34S221K	140	180	220(198-242)	360	*				*		
34S241K	150	200	240(216-264)	395	*				*		
34S271K	175	225	270(243-297)	455	*				*		
34S331K	210	275	330(297-363)	550	*				*		
34S361K	230	300	360(324-396)	595	*				*		
34S391K	250	320	390(351-429)	650	*				*		
34S431K	275	350	430(387-473)	710	*				*		
34S471K	300	385	470(423-517)	775	*				*		
34S511K	320	415	510(459-561)	845	*				*		
34S561K	350	460	560(504-616)	925	*				*		
34S621K	385	505	620(558-682)	1025	*				*		
34S681K	420	560	680(612-748)	1120	*				*		
34S751K	460	615	750(675-825)	1240	*				*		
34S781K	485	640	780(702-858)	1290	*				*		
34S821K	510	670	820(738-902)	1355	*				*		
34S911K	550	745	910(819-1001)	1500	*				*		
34S951K	575	765	950(855-1045)	1570	*				*		
34S102K	625	825	1000(900-1100)	1650	*				*		
34S112K	680	895	1100(990-1210)	1815	*				*		
34S122K	750	990	1200(1080-1320)	1980	*	*					
34S152K	900	1200	1500(1350-1650)	2475	*	*					
34S182K	1000	1465	1800(1620-1980)	2970	*	*					



D (max.)	44
H (max.)	56.6
T (max.)	Ref.Tab1
F (±0.5)	25.4
t (±0.1)	0.5
L (min.)	16.5
K (max.)	3.18
W (±0.5)	7.0
Ø (M3±0.2)	3.8

Tab1.

Model	T (max.)	Model	T (max.)
201K	6.2	681K	8.7
221K	6.3	751K	9.4
241K	6.4	781K	9.6
271K	6.6	821K	9.8
331K	6.9	911K	10.4
361K	7.1	951K	10.6
391K	7.3	102K	11.2
431K	7.5	112K	11.8
471K	7.8	122K	12.3
511K	8.0	152K	13.3
621K	8.7	182K	14.3