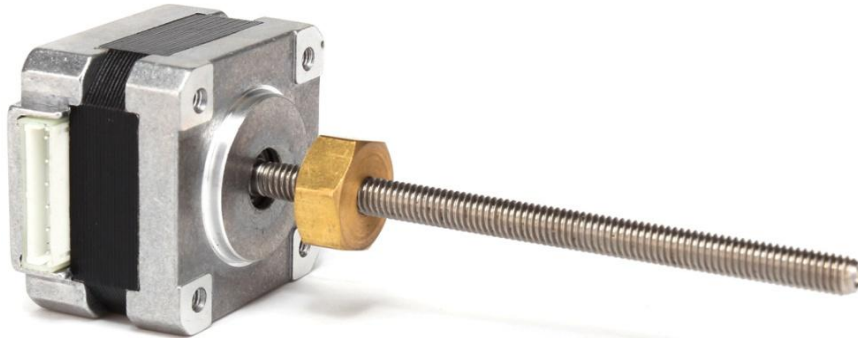


**1.8°35mm**

混合式丝杆步进电机参数 Hybrid Linear Stepper Motor



性能规格书 The Performance Specification

Item	Specifications	
电机型号 Model	35HSH2405-XXNE	
步距角 Step Angle	1.8°	
绕组类型 Winding Type	2 poles	
相电流 Rated Current ( A )	1	
相电阻 Resistance (Ω)	5	
功耗 Power Consume(W)	6	
转子惯量 Rotor Inertia (g.cm2)	14	
温升 Temperature Rise(°C )	75	

丝杆规格书 The Leadscrew Specification

Φ5				
导程 Helical Pitch		步长 Step Length		步长代码 Step Length Code
in.	mm	in.	mm	
0.07874	2	0.00039	0.01	T

Φ6.35				
导程 Helical Pitch		步长 Step Length		步长代码 Step Length Code
in.	mm	in.	mm	
0.125	3.175	0.001	0.01587	U
0.25	6.35	0.002	0.03175	V

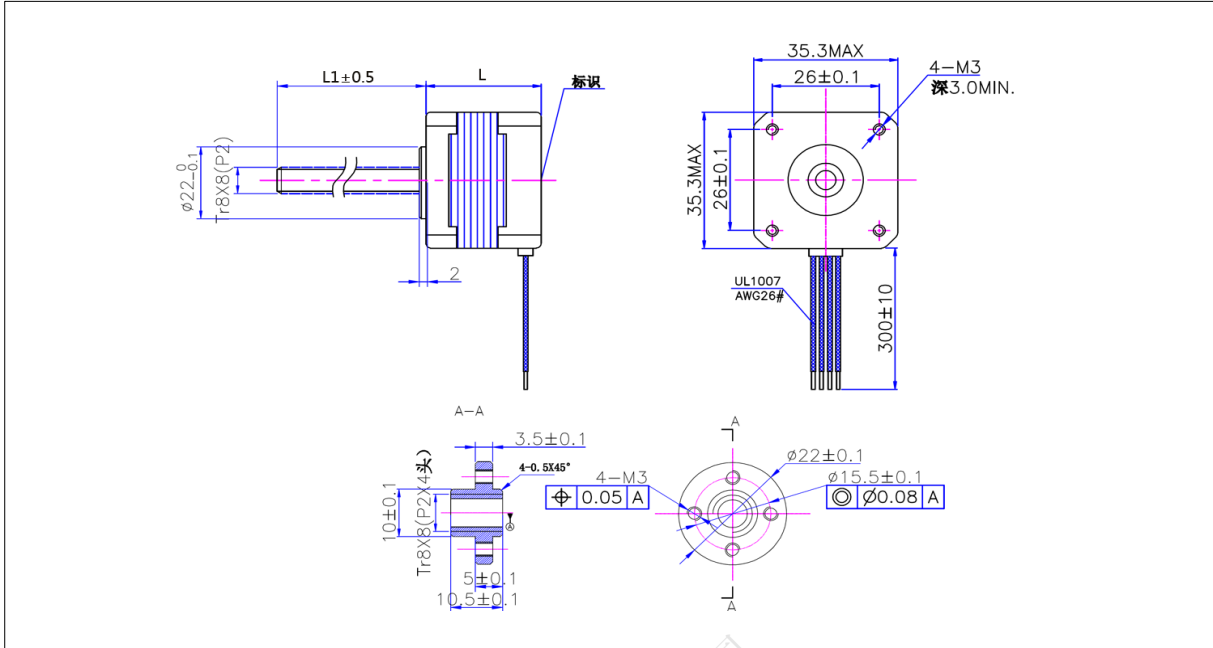
The helical pitch can be customized.

# 1.8°35mm

## 混合式丝杆步进电机参数 Hybrid Linear Stepper Motor



### 尺寸图 Mechanical Dimensions



重庆优摩特科技有限公司