



# O/E/N 35HT

## HEAVY DUTY AUTOMOTIVE POWER RELAY

### FEATURES

- Direct PCB Mountable
- High Performance
- Heavy Duty
- Extra Braided Wire

### APPLICATION

- Glow Plug Timer
- Heating Elements

### TECHNICAL DATA FOR CONTACT SIDE :

#### Areas of Application

Contact Configuration :

Contact Material :

#### Contact Rating

Continuous :

Switching :

Mechanical Life Operations Min. :

Contact Voltage Drop at 10 A (Min) :

Maximum Switching Current  
@ 12.8 VDC For 3 Sec. :

#### RESISTIVE / INDUCTIVE LOADS

1A

Silver Alloy

1) 50A Glow plug Load@12VDC

(Coil voltage = 13.2VDC@85°C) for 500Hrs.

2) 70A glow plug load@12 VDC

(Coil voltage = 13.2 VDC@23°C) for 500Hrs.

70A @13.5 VDC (Glow Plug Load) for 50000 cycles with  
1 Sec ON, 35 Sec. OFF

1 x 10<sup>6</sup>

50mV

300 A - On / 70 A - Off (Make & Break Ratio of 1:10)

www.DataSheet4U.com

### GENERAL DATA FOR COIL SIDE

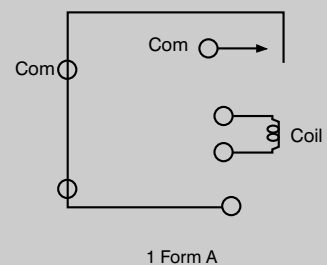
Nominal Coil Power	:	1.6W (Approx)
Operating Power	:	0.9W (Approx)
Operate Time*	:	5 milli Seconds
Release Time*	:	3 milli Seconds

\* At nominal voltage without coil suppression (excluding bounce)

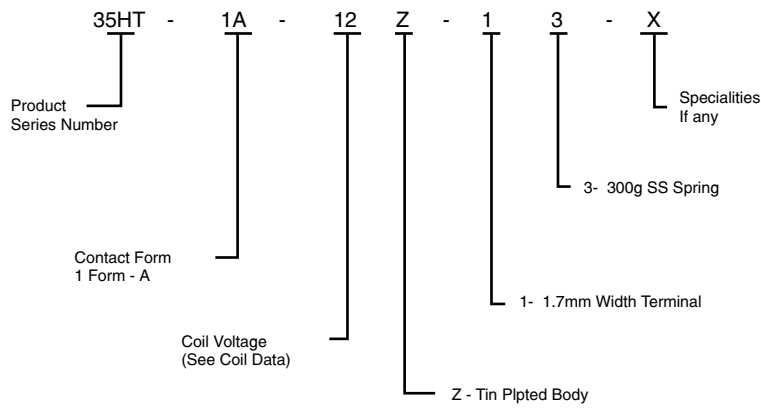
### OPERATING CONDITIONS

Ambient Temperature	:	-40°C to +85°C
Maximum Temperature	:	155°C
Dielectric Strength	:	500VRMS
Insulation Resistance	:	100 Meg. Ohms Min. At 500 VDC, 25°C RH 50
Vibration Resistance (without change in the switching state > 10μS)	:	10-200Hz 20g - 40g
Shock Resistance (without change in the switching state > 10μS)	:	30g, 11mS

### CIRCUIT DIAGRAM



## HOW TO ORDER

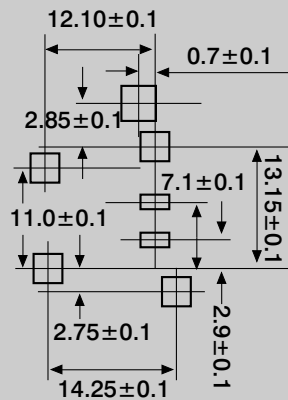


## COIL DATA

Nominal Voltage VDC	**Pick-up Voltage VDC (Max)	Coil Resistance at 20°C Ohms ± 10%
12	7.2	64

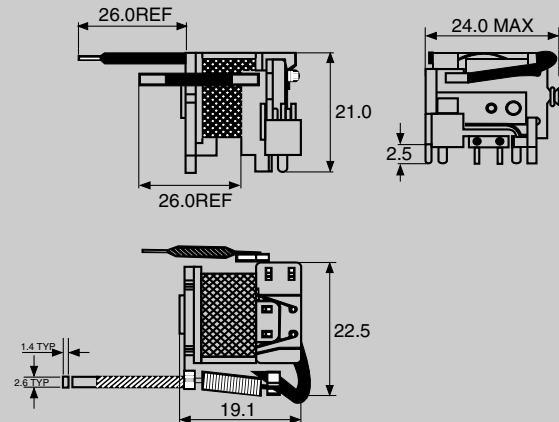
\*\*Lower pick-up Voltages available on request

## DRILLING PATTERN



www.DataSheet4U.com

## DIMENSIONS



## AVAILABLE ON REQUEST

- Special coil resistance & pick-up
- For other custom solutions consult factory