

## Single Phase Bridge Rectifier

### Features

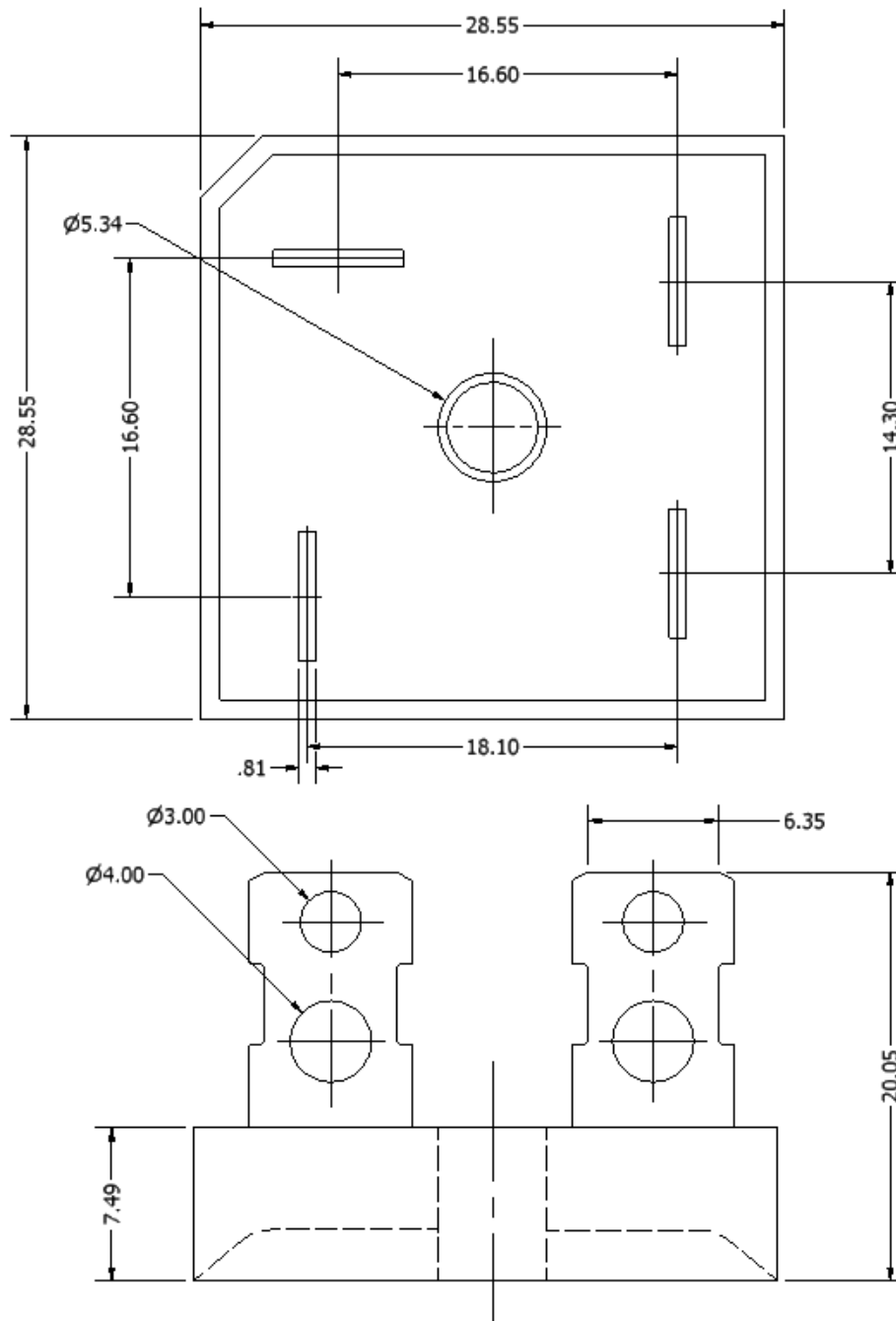
- Glass passivated chip junction
- Surge capability of 400 A
- High efficiency
- Electrically isolated metal case for maximum heat dissipation
- Mounting: thru hole for # 8 screw

| Thermal and Mechanical Specifications ( $T_A = 25^{\circ}\text{C}$ unless otherwise noted) |           |               |                    |
|--|-----------|---------------|--------------------|
| Parameters   | Symbol    | Values        | Units              |
| Maximum operating junction temperature range   | $T_J$     | - 55 to + 125 | $^{\circ}\text{C}$ |
| Maximum storage temperature range  | $T_{Stg}$ | - 55 to + 150 | $^{\circ}\text{C}$ |
| Approximate weight   | $W_T$     | 30            | g                  |



GBPC

| Voltage Ratings ( $T_A = 25^{\circ}\text{C}$ unless otherwise noted)               |                             |       |     |     |     |     |     |      |       |               |
|--|-----------------------------|-------|-----|-----|-----|-----|-----|------|-------|---------------|
| Parameter  | Symbol                      | 35MB  |     |     |     |     |     |      | Units |               |
| Maximum repetitive peak reverse voltage  | $V_{RRM}$                   | 50    | 100 | 200 | 400 | 600 | 800 | 1000 | V     |               |
| Maximum RMS voltage  | $V_{RMS}$                   | 35    | 70  | 140 | 280 | 420 | 560 | 700  | V     |               |
| Maximum DC blocking voltage  | $V_{DC}$                    | 50    | 100 | 200 | 400 | 600 | 800 | 1000 | V     |               |
| Maximum average forward output current   | $I_{F(AV)}$                 | 35.0  |     |     |     |     |     |      | A     |               |
| Peak forward surge current (10ms) single half sine-wave superimposed on rated load | $I_{FSM}$                   | 400   |     |     |     |     |     |      | A     |               |
| Maximum DC forward voltage drop per element @ 7.5 A                                | $V_F$                       | 1.2   |     |     |     |     |     |      | V     |               |
| Maximum DC reverse current at rated DC blocking voltage per element                | $T_A = 25^{\circ}\text{C}$  | $I_R$ | 5.0 |     |     |     |     |      |       | $\mu\text{A}$ |
|  | $T_A = 125^{\circ}\text{C}$ |       | 500 |     |     |     |     |      |       |               |



ALL DIMENSIONS ARE IN MM