


Features

- Fast and easy DSL installation
- Full-rate ADSL
- Service interoperability and compatibility
- Optimal data rates
- Multiple "Home Run" connections
-  UL Listed per 1863

3611 – ADSL Full-Rate POTS Splitter

Bourns 3611 ADSL POTS Splitter is designed to simplify the deployment of Full-Rate or G.Lite ADSL service at the customer premises. ANSI T1.413 compliant, the 3611 accepts the incoming ADSL service and filters off the voice (POTS) channel and provides a connection for DSL data services (ADSL modem). In the event of power loss, the passive filter design allows for lifeline POTS service.

The 3611 occupies only a single space in 7600 style Network Interface Devices (NIDs) or the Bourns 7043 enclosures. Fitted with screw terminals and flying leads, the 3611 can be installed in minutes.

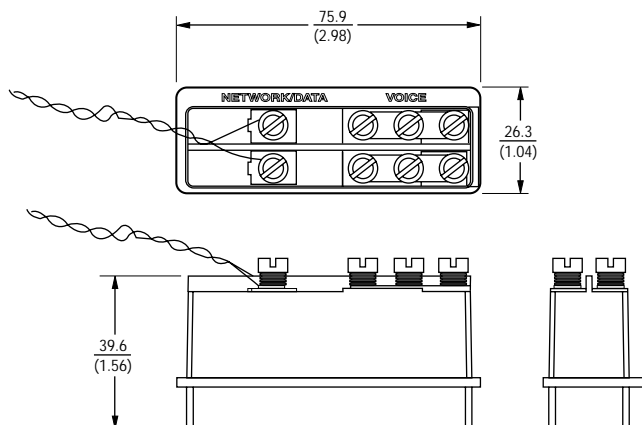
Characteristics

DC Loop Current	0-100 ma
DC Loop Voltage	0 to -60 V
DC Resistance	≤25 ohms
Insertion Loss	<1.0 dB (25 kHz -1.104 MHz)
Attenuation Distortion (Voice Band)	< +/- 0.5 dB
Delay Distortion (Voice Band)	<200 μs
Return Loss (Voice Band)	6 dB ERL; 5 dB SRL-Low 3.0 dB SRL-High
Longitudinal Balance, Two Port Technique POTS to line port (U-R); Line port to POTS	>53 dB @ 0.2 - 1 kHz >58 dB @ 3kHz
ADSL Band Attenuation	>65 dB @ 30 kHz-300 kHz >55 dB @ 301 kHz -1104 MHz
Tip to Ring Capacitance (POTS Port)	<100 nF
Input Impedance (Loading to the ADSL Band)	<0.25 dB 30 kHz -1.104 MHz

How To Order

..... Part #3611

Product Dimensions



Reliable Electronic Solutions

Asia-Pacific:
 TEL +886- (0)2 25624117
 FAX +886- (0)2 25624116
Europe:
 TEL +41-41 7685555
 FAX +41-41 7685510
North America:
 TEL +1-909 781-5500
 FAX +1-909 781-5700
bourns.com