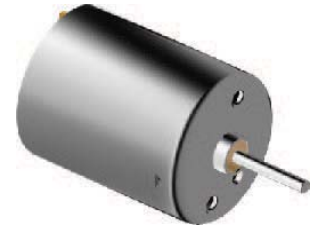
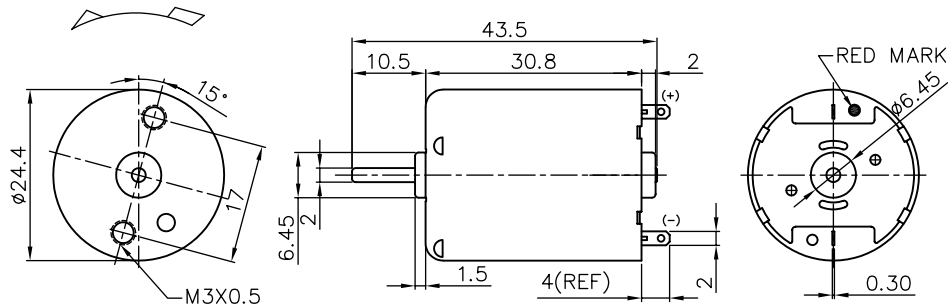


370C series Ø24.4 mm 1.2-1.6 W

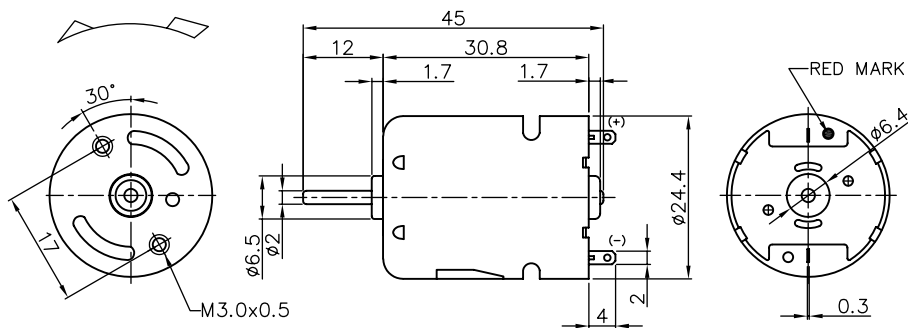


Model - -
 Carbon brush = C V = Varistor
 Metal brush = M C = Capacitor

MOTOR DATA

Part name	370C-3055-N-CV	370C-22170-N-CV	370C-14350-N-CV	370C-08700-N-CV
Diameter (mm)	24.4	24.4	24.4	24.4
Length (mm)	30.8	30.8	30.8	30.8
Nominal voltage (V)	3	6	12	24
Nominal speed (rpm)	6600	5200	5100	4800
Nominal torque (mNm)	2.3	2.5	2.7	2.5
Nominal current A	1.2	0.4	0.2	0.1
No load speed (rpm)	8000	6200	6200	6000
No load current A	0.30	0.10	0.06	0.05
Stall torque (mNm)	12.8	14.7	15.2	12.3
Starting current (A)	5.4	1.8	0.9	0.4
Output (W)	1.6	1.3	1.4	1.2
Efficiency (%)	46	62	62	57
Operating temperature deg. C	-10..+60	-10..+60	-10..+60	-10..+60

370S series Ø24.4 mm 4.9-19W



Model - -
 Carbon brush = C V = Varistor
 Metal brush = M C = Capacitor

MOTOR DATA

Part name	370S-5028P-C	370S-4530P-C	370S-3370P-CV	370S-16235P-CV
Diameter (mm)	24.4	24.4	24.4	24.4
Length (mm)	30.8	30.8	30.8	30.8
Nominal voltage (V)	3.6	6	7.2	15
Nominal speed (rpm)	16200	24000	14265	7500
Nominal torque (mNm)	8.0	7.7	7.2	6.1
Nominal current A	5.8	5.5	2.0	0.5
No load speed (rpm)	19000	29000	16500	9700
No load current A	1.00	0.80	0.48	0.10
Stall torque (mNm)	46.7	52.8	48.5	32.9
Starting current (A)	28.0	29.2	12.2	2.6
Output (W)	14	19	8.4	4.9
Efficiency (%)	66	59	81	62
Operating temperature deg. C	-10..+60	-10..+60	-10..+60	-10..+60