

SERIES 37F
PIEZO Pushbutton Switches

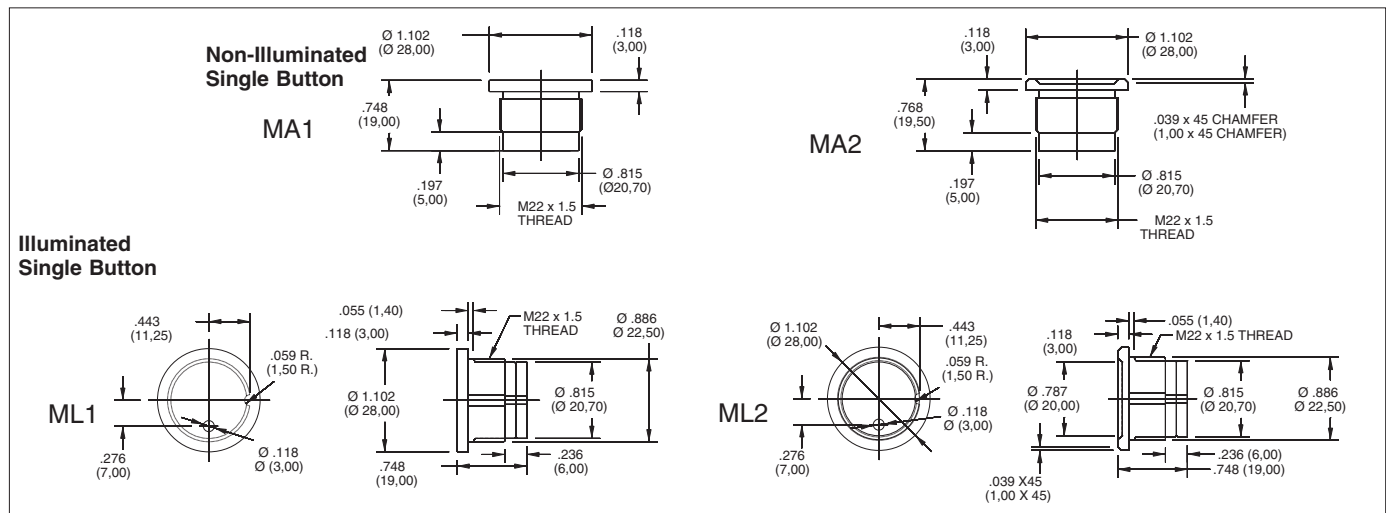


FEATURES

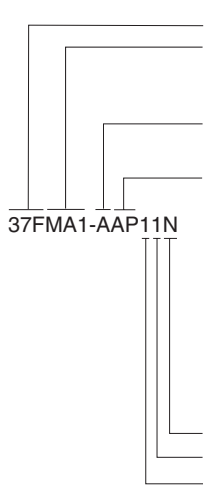
- Fully Sealed
- Virtually Indestructible
- Vandal Resistant
- Indoor and Outdoor Use



DIMENSIONS In inches (and millimeters)



ORDERING INFORMATION, 37FMA AND 37FML

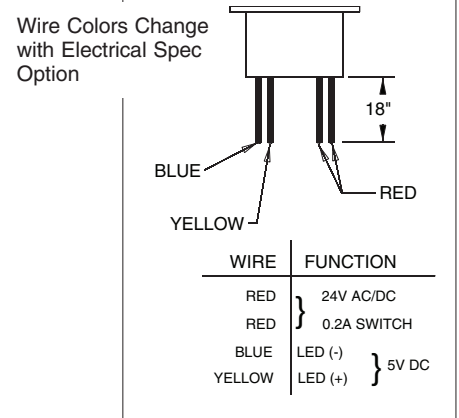


Grayhill Series
Housing Type
 MA1, MA2
 ML1*, ML2*

Circuitry
 A - N.O., B - N.C.

Electrical Specifications
 AW - V Max: 24V, I Max: 0.2 A AC/DC, Term: Red wire
 BW - V Max: 24V, I Max: 0.2 A AC/DC, 150 Transient, Term: Purple wire
 CW - V Max: 24V, I Max: 1.0 A AC/DC, 150 Transient Term: Orange/White wire
 EW - V Max: 24V, I Max: 0.2 A AC/DC, Term: Green wire, N.C. Circuitry Option Only
 AP - V. Max: 24V, I Max 0.2 A AC/DC, Term: PIN
 CP** - V Max: 24V, I Max: 1.0 A AC/DC, Term: PIN

Housing Color: N - Natural
Housing Material: 1 - Aluminum
LED: 1- Red, 2 - Green, 3 - Yellow, 4 - Red/Green



*LED Option

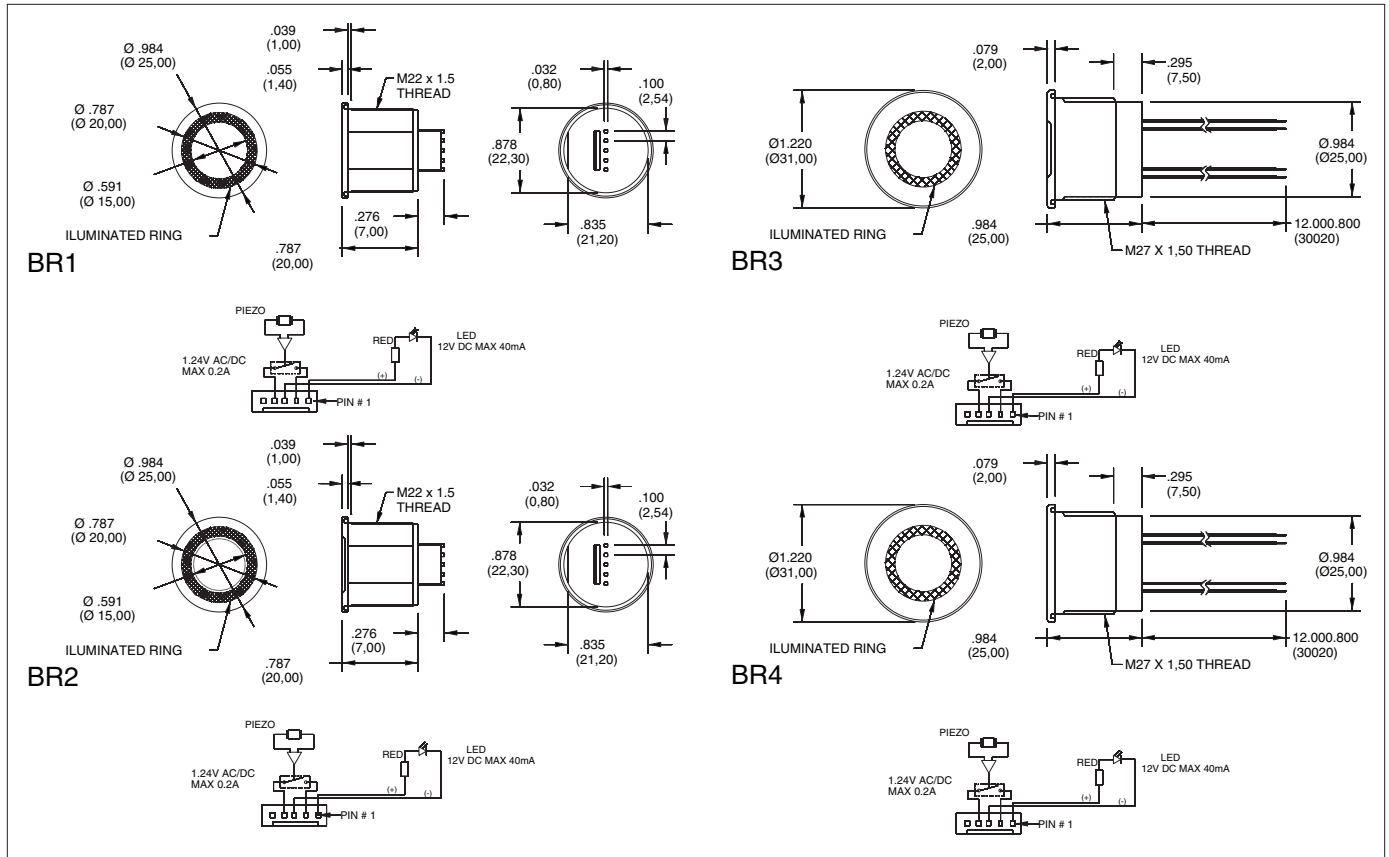
**This Option Not Available with LED Housing ML1 or ML2

***Only Available with Housing Types ML1 and ML2.

Special colors, S.S. and legends available. Contact Grayhill for more information.

Keyboards and Keypads

DIMENSIONS In inches (and millimeters)



Keyboards and Keypads

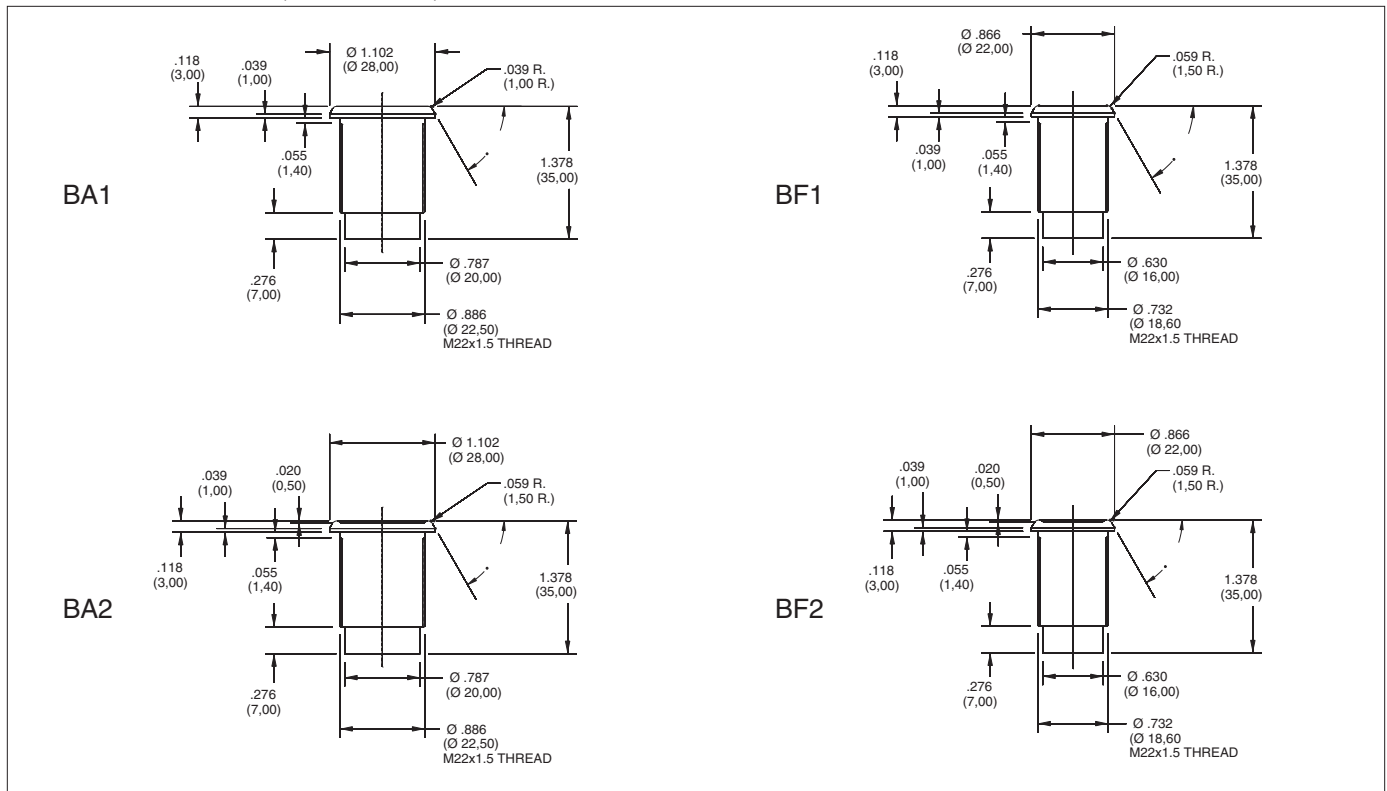
ORDERING INFORMATION, 37FBR

<p>37FBR1-CAAW1N</p>	<p>Grayhill Series Housing Type BR1, BR2 BR3, BR4 Switch Type C - Continuous, T - Toggle Circuitry A - N.O., B - N.C. Electrical Specification AW: 10-24V, .15A AC/DC, Wire: 1 - Black, 1 - Brown, 2 - Blue Housing Color: N - Natural Housing Material: 1 - Aluminum</p>	<p>Special colors, S.S. and legends available. Contact Grayhill for more information.</p>
----------------------	--	--

Available from your local Grayhill Component Distributor. For prices and discounts, contact a local Sales Office, an authorized local Distributor or Grayhill.

Special configurations and legends available. Contact Grayhill for more information.

DIMENSIONS In inches (and millimeters)



SPECIFICATIONS

Rated Voltage: 0-24V AC/DC

Rate Current: 0-24 amps.

Resistance "ON": <10 Ohms

Resistance "OFF": >5 megohms

Switch Capacitance: 25pF

Activation Force: 3-5N Typ.

Switch Action:

Momentary: 120 Msec. Pulse type

Continuous: Circuit is closed as long as switch is pressed, 30 sec. max.

Toggle: Switch changes position at each activation.

Lifecycle: >50 million

Operating Temp: -40°C- 85°C standard. (-40°C- 125°C upon request)

Storage Temp: -40°C- 125°C

EMI or RFI Effect: None

Protection System: IP68 according to IEC529

LED: 5Vdc, 1 max, 10 mA

Housing Material: Aluminum

ORDERING INFORMATION, 37FBA & 37FBF

<p>37FBA1-CAAW1N</p>	<p>Grayhill Series Housing Type BA1, BA2 BF1, BF2 Switch Type C - Continuous, T - Toggle Circuitry A - N.O., B - N.C. Electrical Specification AW: 10-24V, .15A AC/DC, Wire: 1 - Black, 1 - Brown, 2 - Blue</p>	<p>Special colors, S.S. and legends available. Contact Grayhill for more information.</p>
	<p>Housing Color: N - Natural Housing Material: 1 - Aluminum</p>	

Keyboards and Keypads

Available from your local Grayhill Component Distributor. For prices and discounts, contact a local Sales Office, an authorized local Distributor or Grayhill.