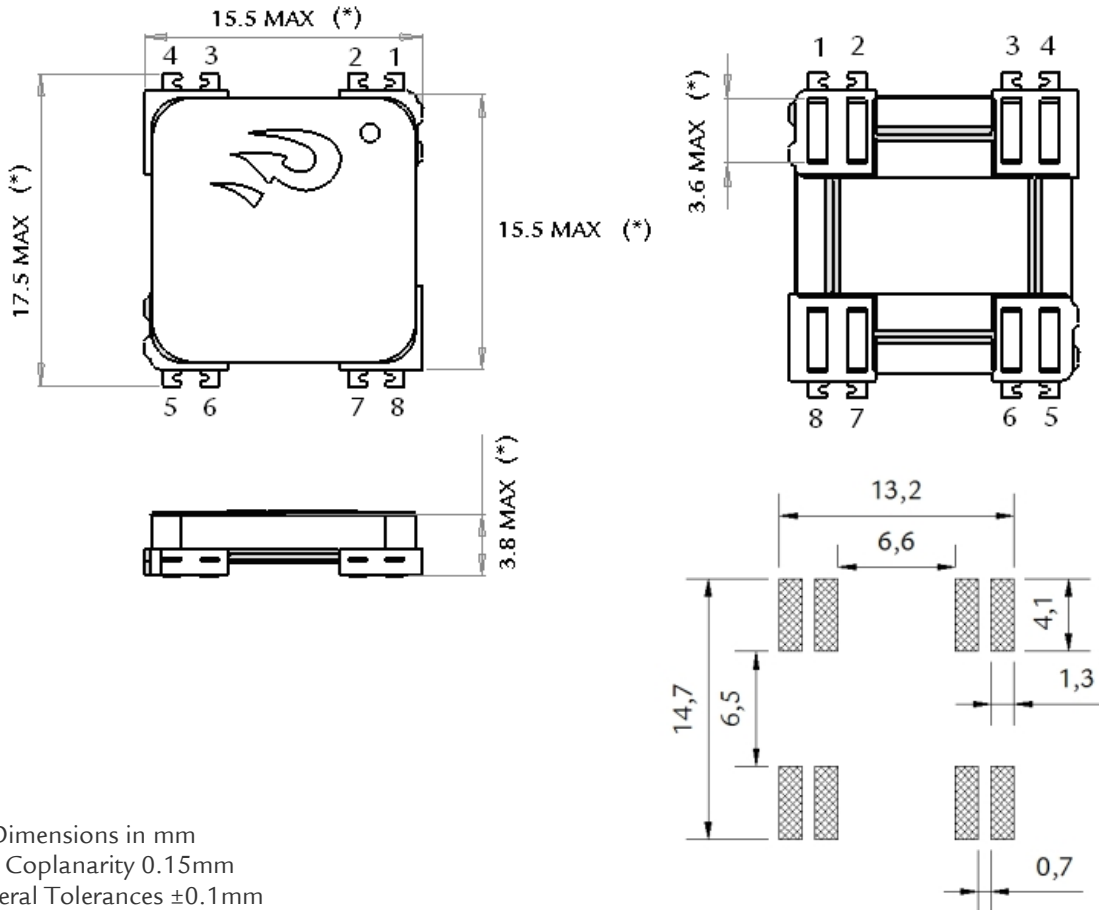
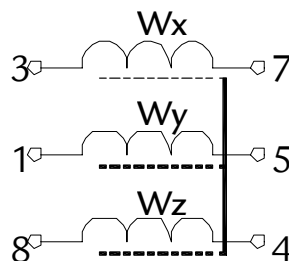


C/Severo Ochoa 33 - Parque Tecnológico de Andalucía. 29590 Campanillas. Málaga (Spain) Phone +34 951 231 320 Fax +34 951 231 321
E-mail: info@grupopremo.com Web <http://www.grupopremo.com>

1. Dimensions and Pad Layout



2. Schematic Diagram

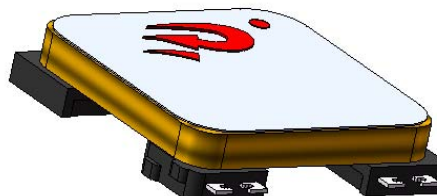


Pins 2 and 6 not connected

C/Severo Ochoa 33 - Parque Tecnológico de Andalucía. 29590 Campanillas. Málaga (Spain) **Phone** +34 951 231 320 Fax +34 951 231 321
E-mail: info@grupopremo.com Web <http://www.grupopremo.com>

3. Materials

Core: Ferrite Core
SMD Base: LCP
Leadframe: CuSn6 / Cu / Sn
Wires: Enamelled and Selfbonding copper wire
Adhesive: Epoxy-based adhesives
Label: Acrylate



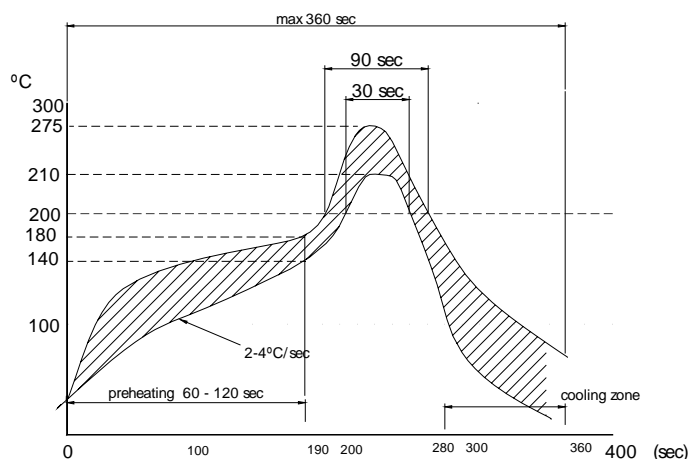
Remark : Products comply with RoHS requirements

4. General Specifications and Recommended Reflow Profile

Typical Operating Frequency 125KHz

Storage Temperature -40 °C → +85 °C

Operating Temperature -40 °C → +85 °C



Lead Free Reflow Profile

5. Electrical Characteristics

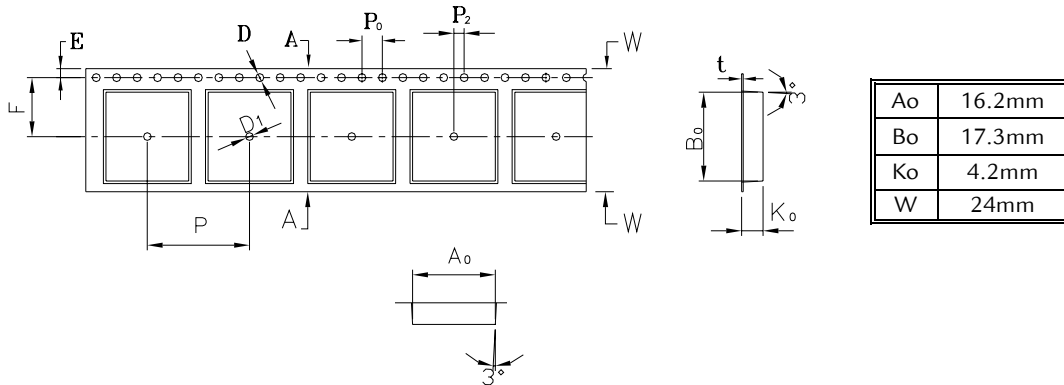
3DC1515

Code	L _{x,y,z} (mH)	Q _{x,y} Min	Freq (KHz)	Cres (pF)	SRF _{x,y} (KHz) Min	SRF _z (KHz) Min	DCR _{x,y} (Ohm) Max	DCR _z (Ohm) Max	Sensitivity _{x,y,z} (mV/App/m) Min	Length (mm)	Width (mm)	Height (mm)
3DC15-0247J	2.47	23	125	656	500	1000	75	75	55	15.5	17.5	3.8
3DC15-0258J	2.58	23	125	628	500	800	75	75	57			
3DC15-0345J	3.45	27	125	470	450	800	85	100	67			
3DC15-0405J	4.05	27	125	400	400	800	98	98	72			
3DC15-0477J	4.77	28	125	340	380	800	100	136	85			
3DC15-0491J	4.91	27	125	330	350	750	105	140	85			
3DC15-0720J	7.20	30	125	225	330	700	120	172	95			
3DC15-1000J	10.00	25	125	162	250	550	165	258	105			

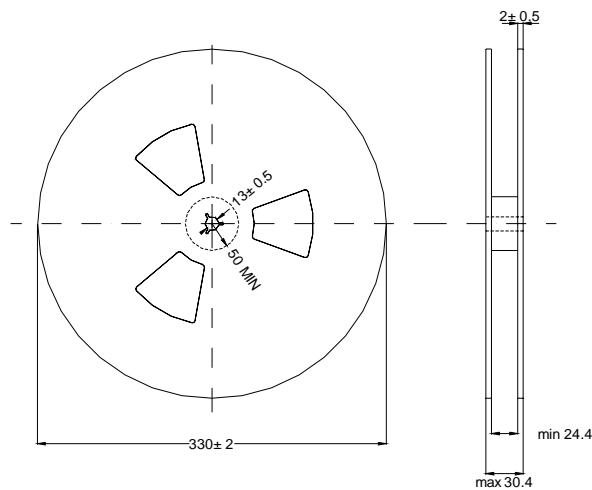
C/Severo Ochoa 33 - Parque Tecnológico de Andalucía. 29590 Campanillas. Málaga (Spain) **Phone** +34 951 231 320 **Fax** +34 951 231 321
E-mail: info@grupopremo.com Web <http://www.grupopremo.com>

7. Packaging Information

TAPING SPECIFICATION (According to EIA481)



REEL



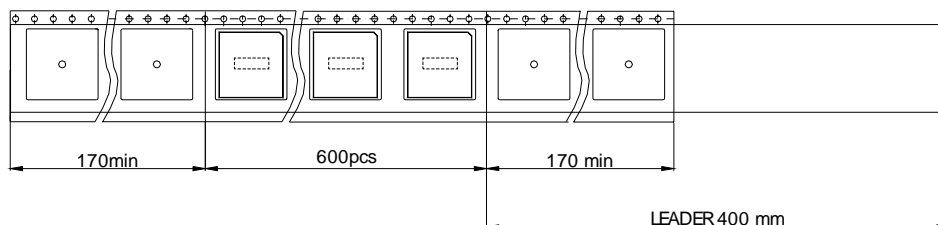
PARTS PER REEL

330 mmΦ
600

MATERIAL LIST

ITEM	MATERIAL
Reel	Shock-Proof Polystyrol
Carrier tape	PC Brown Colour 0.3mm
Cover tape	Polyester

TAPING



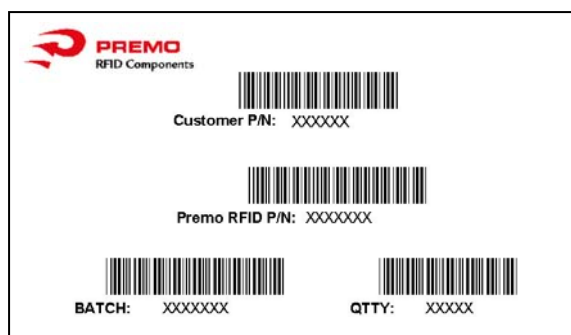
C/Severo Ochoa 33 - Parque Tecnológico de Andalucía. 29590 Campanillas. Málaga (Spain) **Phone** +34 951 231 320 **Fax** +34 951 231 321
E-mail: info@grupopremo.com Web <http://www.grupopremo.com>

8. Labelling

PART LABELLING



PACKAGE LABELLING



9. Reliability Tests

This part is according to AEC-Q200 Revision C.

Edition	Revision Date
1	18/03/09