

K&L-com® Commercial Bandpass

◆ Features:

- Ideal for High Volume, Short Lead Time Requirements
- Designed for Low Cost Applications
- Covers the 10 MHz to 3000 MHz Frequency Range
- 3 dB BW Available 5 to 15%
- Designs Available in 2 - 6 Sections
- Chebyshev Design Response



◆ Specifications:

Center Frequency (MHz)	3 dB % BW	VSWR	Attenuation	Impedance (Ohms)	Number of Sections	Temperature	Package Style
10-3000	*5 to 15%	2.0:1 Max	- 60 dBc	50	2-6	-40 to +85 °C	Open frame, leadless surface mount.

* Different circuit topologies available for non-standard bandwidth

- For more complete specifications please visit us at www.kfilterwizard.com.
- Lowpass and Highpass filters also available. Contact factory for details.

Filter Wizard™

◆ To Order:

3 KC B 10 - 1000 / U 50 - 1.1
1 2 3 4 5 6 7 8

1. Number of Sections
2. **K&L-com**® Series
3. Bandpass
4. Package Style - Open frame, leadless surface mount

10 = 0.5" x 0.5" (12.7mm x 12.7mm)
 20 = 1.0" x 0.5" (25.4mm x 12.7mm)
 30 = 1.5" x 0.5" (38.1mm x 12.7mm)
 40 = 1.5" x 0.6" (38.1mm x 15.24mm)

5. Center Frequency in MHz
6. Supplemental Codes
7. Bandwidth in MHz
8. Version Number

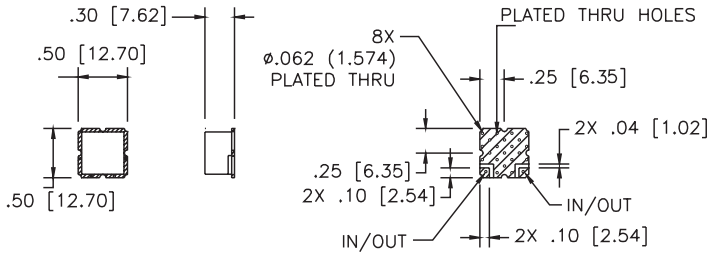
www.klmicrowave.com
 Phone: 410-749-2424 • FAX: 443-260-2268
 Email: sales@klmicrowave.com



www.kfilterwizard.com
 2250 Northwood Drive
 Salisbury, MD 21804

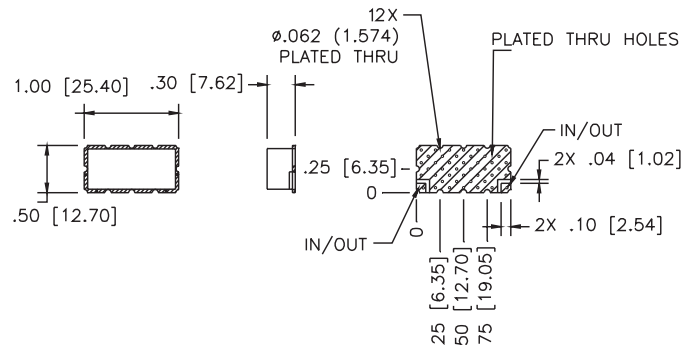
KEL-com® Commercial Bandpass

◆ Mechanical:



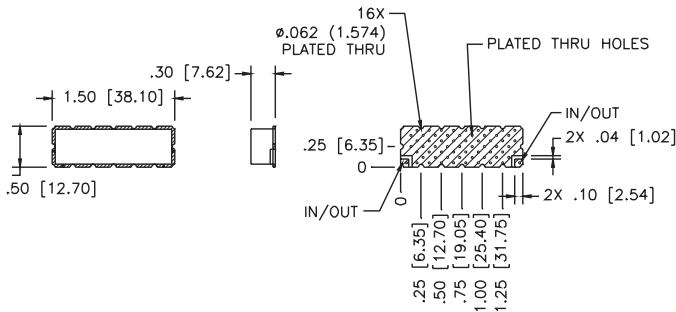
KEL-com®: Series 10 - 0.5" x 0.5"
(12.7mm x 12.7mm)

Open frame, Leadless Surface Mount



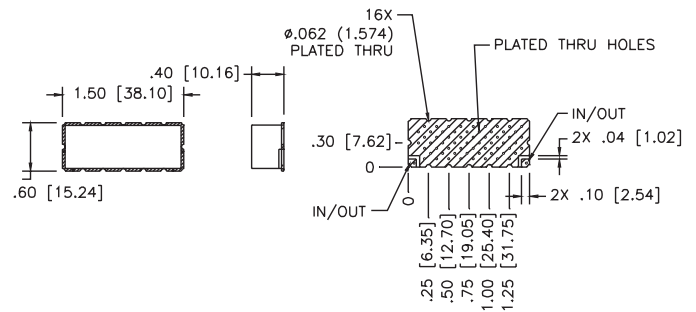
KEL-com®: Series 20 - 1.0" x 0.5"
(25.4mm x 12.7mm)

Open frame, Leadless Surface Mount



KEL-com®: Series 30 - 1.5" x 0.5"
(38.1mm x 12.7mm)

Open frame, Leadless Surface Mount

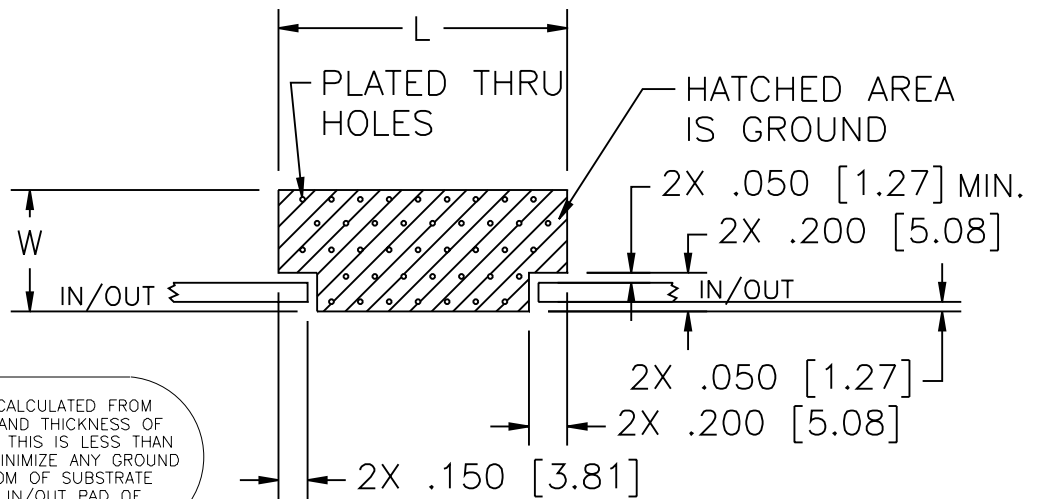


KEL-com®: Series 40 - 1.5" x 0.6"
(38.1mm x 15.24mm)

Open frame, Leadless Surface Mount

◆ Recommended PCB Layout:

PACKAGE	PCB (L)	PCB (W)
SERIES 40 1.5 X 0.6	1.600	0.700
SERIES 30 1.5 X 0.5	1.600	0.600
SERIES 20 1.0 X 0.5	1.100	0.600
SERIES 10 0.5 X 0.5	0.600	0.600



50 ohm LINE WIDTH CALCULATED FROM DIELECTRIC CONSTANT AND THICKNESS OF SUBSTRATE MATERIAL. IF THIS IS LESS THAN .10 INCH BE SURE TO MINIMIZE ANY GROUND PLANE ON THE BOTTOM OF SUBSTRATE UNDER THE .10 SQ IN/OUT PAD OF KEL COM FILTER.