

## 3N170 3N171

### N-CHANNEL MOSFET ENHANCEMENT MODE

#### FEATURES

Direct Replacement for INTERSIL 3N170 & 3N171

LOW DRAIN TO SOURCE RESISTANCE  $r_{ds(on)} \leq 200\Omega$

FAST SWITCHING  $t_{d(on)} \leq 3.0ns$

#### ABSOLUTE MAXIMUM RATINGS<sup>1</sup>

@ 25 °C (unless otherwise stated)

#### Maximum Temperatures

Storage Temperature -65 to +150 °C

Operating Junction Temperature -55 to +135 °C

#### Maximum Power Dissipation

Continuous Power Dissipation 300mW

#### Maximum Current

Drain to Source 30mA

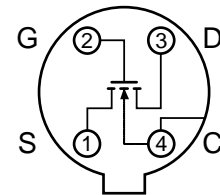
#### Maximum Voltages

Drain to Gate  $\pm 35V$

Drain to Source 25V

Gate to Source  $\pm 35V$

TO-72  
BOTTOM VIEW



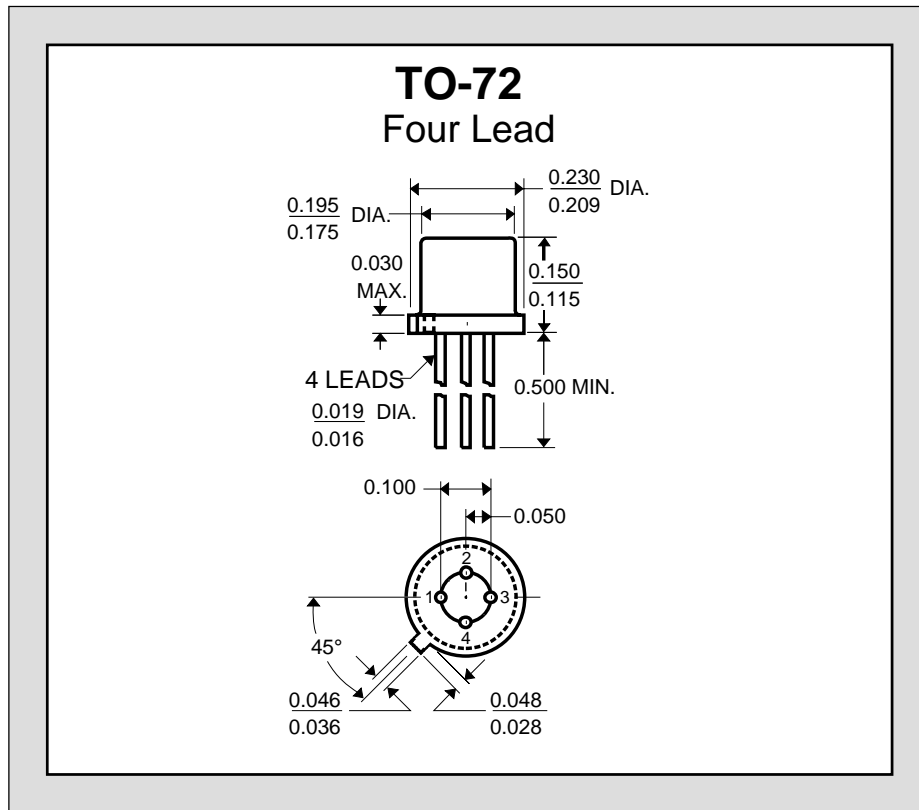
\* Body tied to Case.

#### ELECTRICAL CHARACTERISTICS @ 25 °C (unless otherwise stated) ( $V_{SB} = 0V$ unless otherwise stated)

SYMBOL	CHARACTERISTIC	MIN	TYP	MAX	UNITS	CONDITIONS
$BV_{DSS}$	Drain to Source Breakdown Voltage	25			V	$I_D = 10\mu A, V_{GS} = 0V$
$V_{DS(on)}$	Drain to Source "On" Voltage			2.0		$I_D = 10mA, V_{GS} = 10V$
$V_{GS(th)}$	Gate to Source Threshold Voltage	3N170	1.0	2.0		$V_{DS} = 10V, I_D = 10\mu A$
		3N171	1.5	2.0		
$I_{GSS}$	Gate Leakage Current			10	pA	$V_{GS} = -35V, V_{DS} = 0V$
$I_{DSS}$	Drain Leakage Current "Off"			10	nA	$V_{DS} = 10V, V_{GS} = 0V$
$I_{D(on)}$	Drain Current "On"	10			mA	$V_{GS} = 10V, V_{DS} = 10V$
$g_{fs}$	Forward Transconductance	1000			$\mu S$	$V_{DS} = 10V, I_D = 2.0mA, f = 1.0kHz$
$r_{ds(on)}$	Drain to Source "On" Resistance			200	$\Omega$	$V_{GS} = 10V, I_D = 0A, f = 1.0kHz$
$C_{rss}$	Reverse Transfer Capacitance			1.3	pF	$V_{DS} = 0V, V_{GS} = 0V, f = 1.0MHz$
$C_{iss}$	Input Capacitance			5.0		$V_{DS} = 10V, V_{GS} = 0V, f = 1.0MHz$
$C_{db}$	Drain to Body Capacitance			5.0		$V_{DB} = 10V, f = 1.0MHz$

### SWITCHING CHARACTERISTICS

SYMBOL	CHARACTERISTIC	MIN	TYP	MAX	UNITS	CONDITIONS
$t_{d(on)}$	Turn On Delay Time			3.0	ns	$V_{DD} = 10V, I_{D(on)} = 10mA,$ $V_{GS(on)} = 10V, V_{GS(off)} = 0V$ $R_G = 50\Omega$
$t_r$	Turn On Rise Time			10		
$t_{d(off)}$	Turn Off Delay Time			3.0		
$t_f$	Turn Off Fall Time			15		



1. Absolute maximum ratings are limiting values above which serviceability may be impaired.

Information furnished by Linear Integrated Systems is believed to be accurate and reliable. However, no responsibility is assumed for its use; nor for any infringement of patents or other rights of third parties which may result from its use. No license is granted by implication or otherwise under any patent or patent rights of Linear Integrated Systems.