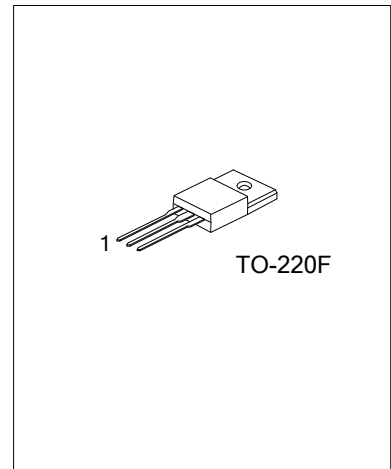




3N60Z

Power MOSFET

3A, 600V N-CHANNEL POWER MOSFET



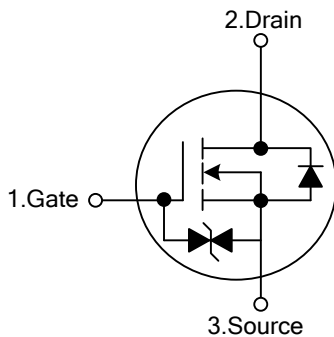
■ DESCRIPTION

The UTC **3N60Z** is a high voltage and high current power MOSFET designed to have better characteristics, such as fast switching time, low gate charge, low on-state resistance and have a high rugged avalanche characteristics. This power MOSFET is usually used at high speed switching applications in power supplies, PWM motor controls, high efficient DC to DC converters and bridge circuits.

■ FEATURES

- * $R_{DS(ON)} = 3.6\Omega @ V_{GS} = 10V$
- * Ultra low gate charge (typical 10 nC)
- * Low reverse transfer capacitance ($C_{RSS} =$ typical 5.5 pF)
- * Fast switching capability
- * Avalanche energy specified
- * Improved dv/dt capability, high ruggedness

■ SYMBOL



■ ORDERING INFORMATION

Ordering Number		Package	Pin Assignment			Packing
Lead Free	Halogen Free		1	2	3	
3N60ZL-TF3-T	3N60ZG-TF3-T	TO-220F	G	D	S	Tube

Note: Pin Assignment: G: Gate D: Drain S: Source

<p>3N60ZL-TF3-T</p>	<p>(1)Packing Type</p> <p>(2)Package Type</p> <p>(3)Lead Free</p>	<p>(1) T: Tube</p> <p>(2) TF3: TO-22F</p> <p>(3) G: Halogen Free, L: Lead Free</p>
---------------------	---	--

■ ABSOLUTE MAXIMUM RATINGS ($T_C = 25^\circ\text{C}$, unless otherwise specified)

PARAMETER		SYMBOL	RATINGS	UNIT
Drain-Source Voltage		V_{DSS}	600	V
Gate-Source Voltage		V_{GSS}	± 30	V
Avalanche Current (Note 2)		I_{AR}	3.0	A
Continuous Drain Current		I_D	3.0	A
Pulsed Drain Current (Note 2)		I_{DM}	12	A
Avalanche Energy	Single Pulsed (Note 3)	E_{AS}	200	mJ
	Repetitive (Note 2)	E_{AR}	7.5	mJ
Peak Diode Recovery dv/dt (Note 4)		dv/dt	4.5	V/ns
Power Dissipation		P_D	34	W
Junction Temperature		T_J	+150	$^\circ\text{C}$
Operating Temperature		T_{OPR}	-55 ~ +150	$^\circ\text{C}$
Storage Temperature		T_{STG}	-55 ~ +150	$^\circ\text{C}$

Note: 1. Absolute maximum ratings are those values beyond which the device could be permanently damaged.

Absolute maximum ratings are stress ratings only and functional device operation is not implied.

2. Repetitive Rating: Pulse width limited by maximum junction temperature
3. $L = 64\text{mH}$, $I_{AS} = 2.4\text{A}$, $V_{DD} = 50\text{V}$, $R_G = 25\ \Omega$, Starting $T_J = 25^\circ\text{C}$
4. $I_{SD} \leq 3.0\text{A}$, $di/dt \leq 200\text{A}/\mu\text{s}$, $V_{DD} \leq BV_{DSS}$, Starting $T_J = 25^\circ\text{C}$

■ THERMAL DATA

PARAMETER	SYMBOL	RATING	UNIT
Junction to Ambient	θ_{JA}	62.5	$^\circ\text{C}/\text{W}$
Junction to Case	θ_{JC}	3.68	$^\circ\text{C}/\text{W}$

■ ELECTRICAL CHARACTERISTICS ($T_C = 25^\circ\text{C}$, unless otherwise specified)

PARAMETER		SYMBOL	TEST CONDITIONS	MIN	TYP	MAX	UNIT
OFF CHARACTERISTICS							
Drain-Source Breakdown Voltage		BV_{DSS}	$V_{GS} = 0\text{V}$, $I_D = 250\mu\text{A}$	600			V
Drain-Source Leakage Current		I_{DSS}	$V_{DS} = 600\text{V}$, $V_{GS} = 0\text{V}$			10	μA
Gate-Source Leakage Current	Forward	I_{GSS}	$V_{GS} = 30\text{V}$, $V_{DS} = 0\text{V}$			100	nA
	Reverse		$V_{GS} = -30\text{V}$, $V_{DS} = 0\text{V}$			-100	nA
Breakdown Voltage Temperature Coefficient		$\Delta BV_{DSS}/\Delta T_J$	$I_D = 250\mu\text{A}$, Referenced to 25°C		0.6		$\text{V}/^\circ\text{C}$
ON CHARACTERISTICS							
Gate Threshold Voltage		$V_{GS(TH)}$	$V_{DS} = V_{GS}$, $I_D = 250\mu\text{A}$	2.0		4.0	V
Static Drain-Source On-State Resistance		$R_{DS(ON)}$	$V_{GS} = 10\text{V}$, $I_D = 1.5\text{A}$		2.8	3.6	Ω
DYNAMIC CHARACTERISTICS							
Input Capacitance		C_{ISS}	$V_{DS} = 25\text{V}$, $V_{GS} = 0\text{V}$, $f = 1\text{MHz}$		350	450	pF
Output Capacitance		C_{OSS}			50	65	pF
Reverse Transfer Capacitance		C_{RSS}			5.5	7.5	pF

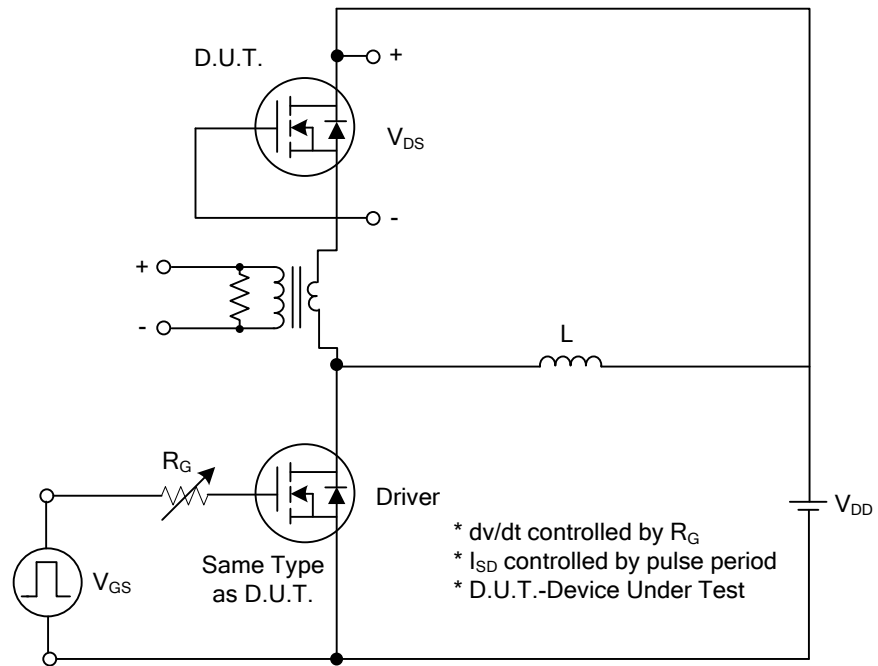
■ ELECTRICAL CHARACTERISTICS(Cont.)

PARAMETER	SYMBOL	TEST CONDITIONS	MIN	TYP	MAX	UNIT
SWITCHING CHARACTERISTICS						
Turn-On Delay Time	$t_{D(ON)}$	$V_{DD} = 300V, I_D = 3.0A,$ $R_G = 25\Omega$ (Note 1, 2)		10	30	ns
Turn-On Rise Time	t_R			30	70	ns
Turn-Off Delay Time	$t_{D(OFF)}$			20	50	ns
Turn-Off Fall Time	t_F			30	70	ns
Total Gate Charge	Q_G	$V_{DS} = 480V, I_D = 3.0A,$ $V_{GS} = 10V$ (Note 1, 2)		10	13	nC
Gate-Source Charge	Q_{GS}			2.7		nC
Gate-Drain Charge	Q_{DD}			4.9		nC
SOURCE- DRAIN DIODE RATINGS AND CHARACTERISTICS						
Drain-Source Diode Forward Voltage	V_{SD}	$V_{GS} = 0V, I_S = 3.0A$			1.4	V
Maximum Continuous Drain-Source Diode Forward Current	I_S				3.0	A
Maximum Pulsed Drain-Source Diode Forward Current	I_{SM}				12	A
Reverse Recovery Time	t_{rr}	$V_{GS} = 0V, I_S = 3.0A,$ $dI_F/dt = 100 A/\mu s$ (Note 1)		210		ns
Reverse Recovery Charge	Q_{RR}			1.2		μC

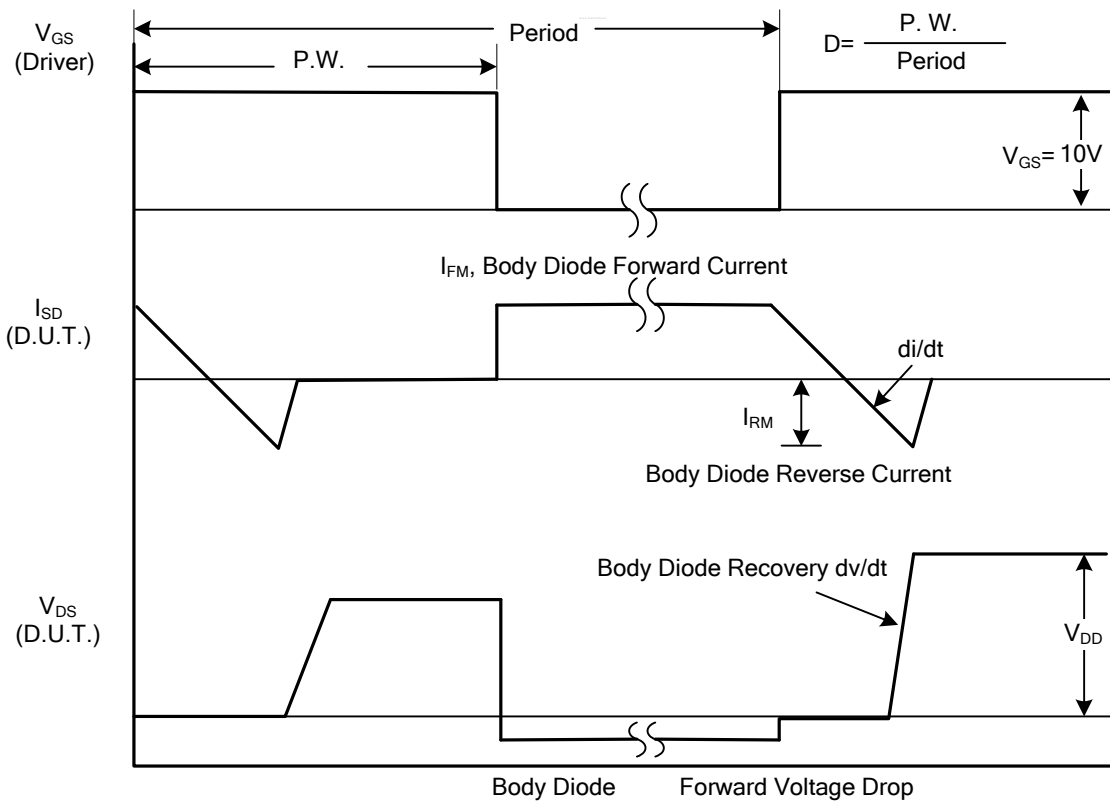
Notes: 1. Pulse Test: Pulse Width $\leq 300\mu s$, Duty Cycle $\leq 2\%$

2. Essentially independent of operating temperature.

■ TEST CIRCUITS AND WAVEFORMS

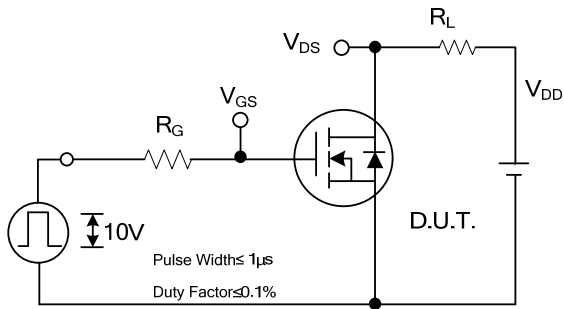


Peak Diode Recovery dv/dt Test Circuit

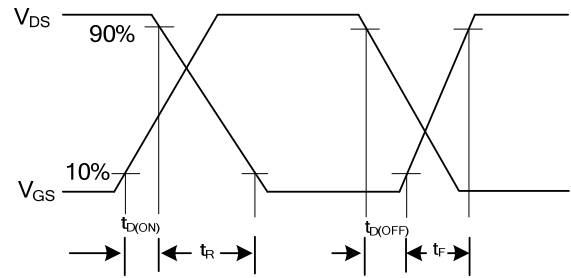


Peak Diode Recovery dv/dt Waveforms

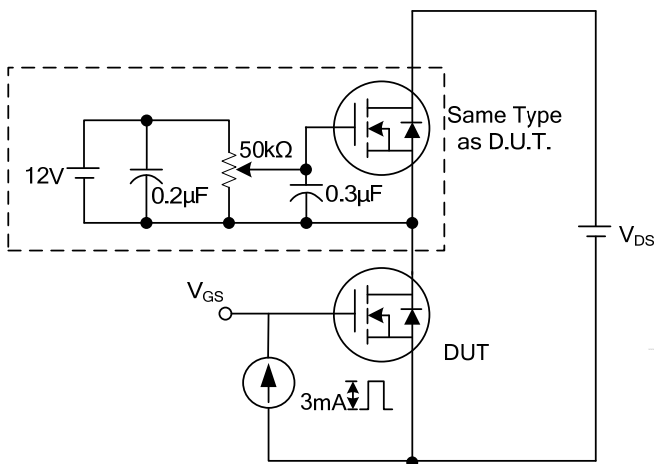
TEST CIRCUITS AND WAVEFORMS (Cont.)



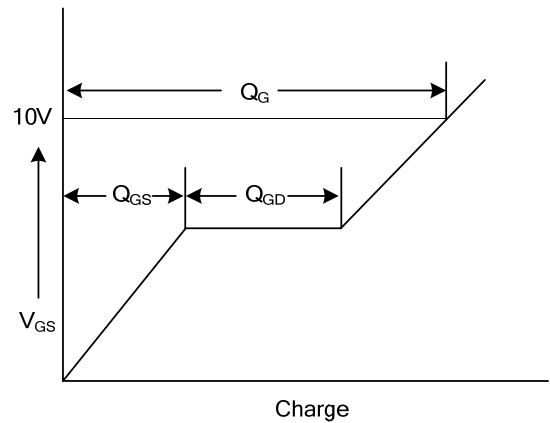
Switching Test Circuit



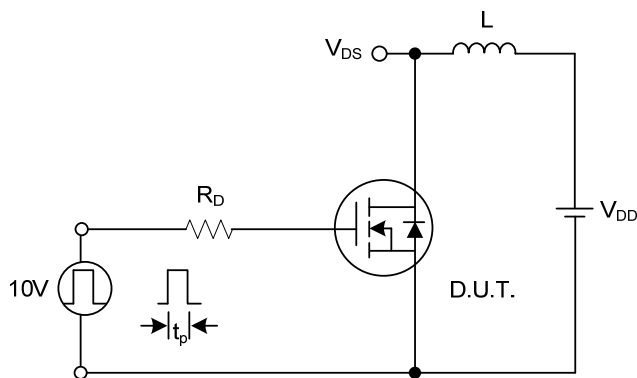
Switching Waveforms



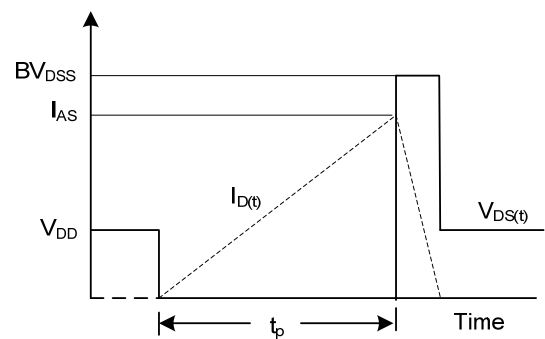
Gate Charge Test Circuit



Gate Charge Waveform



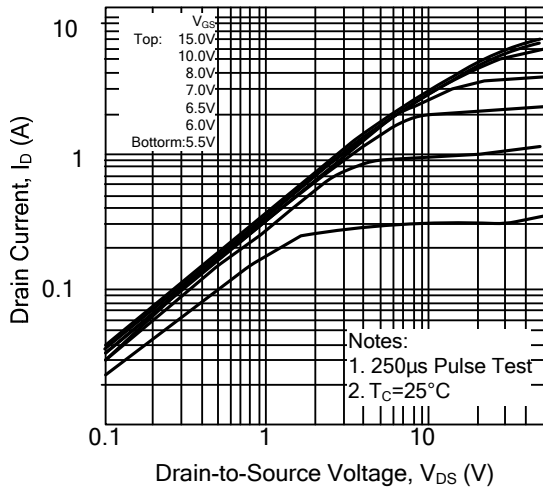
Unclamped Inductive Switching Test Circuit



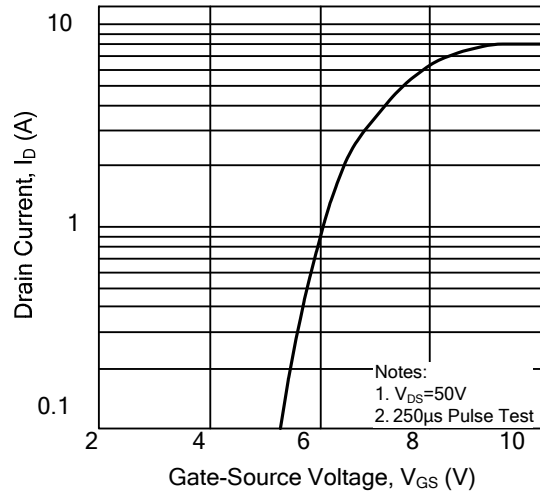
Unclamped Inductive Switching Waveforms

TYPICAL CHARACTERISTICS

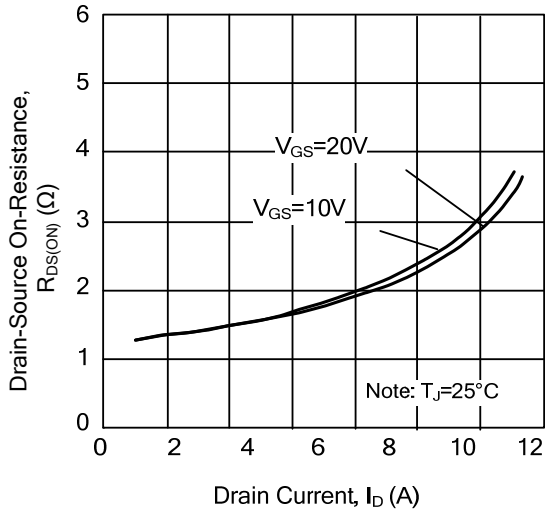
On-State Characteristics



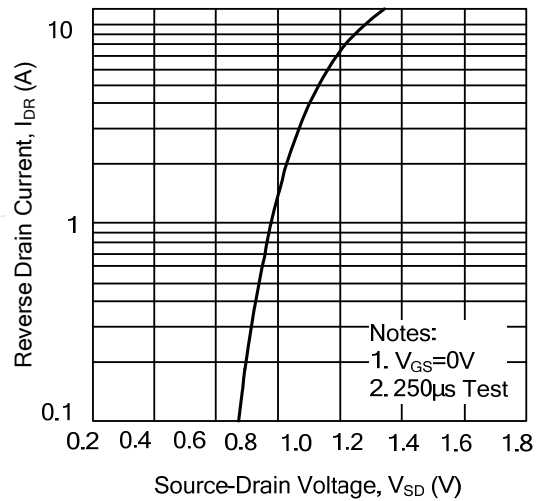
Transfer Characteristics



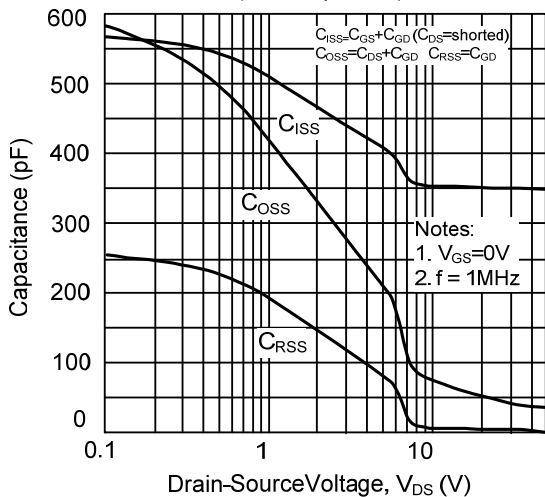
On-Resistance Variation vs. Drain Current and Gate Voltage



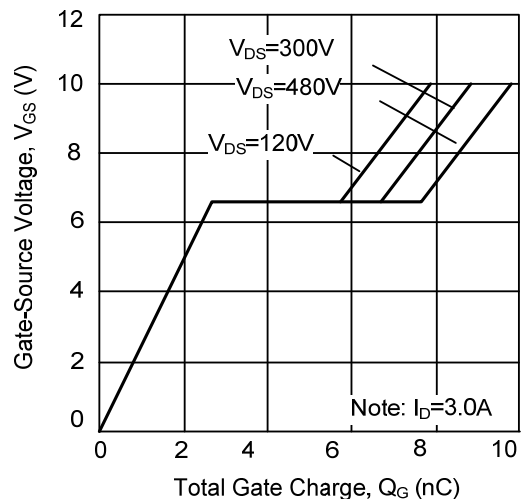
On State Current vs. Allowable Case Temperature



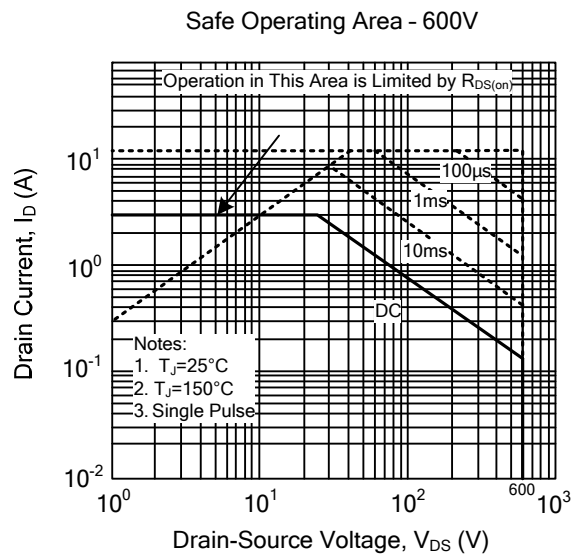
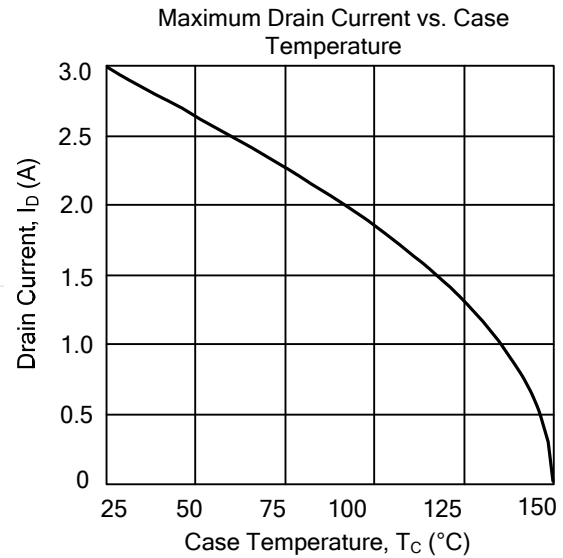
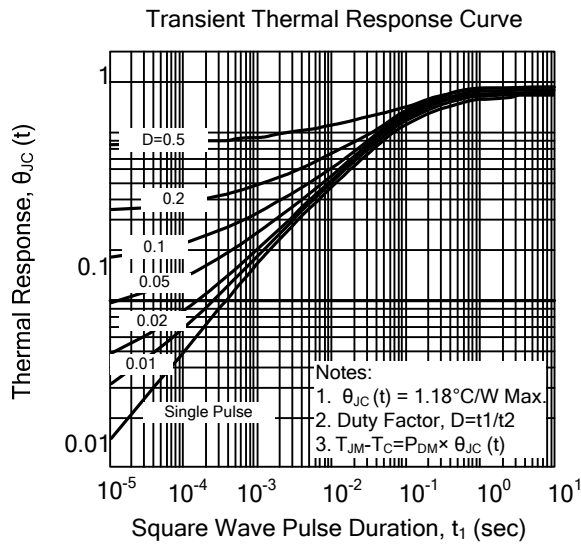
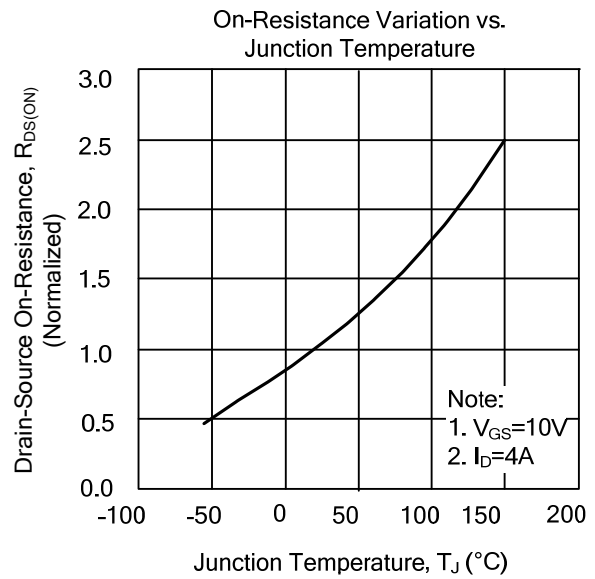
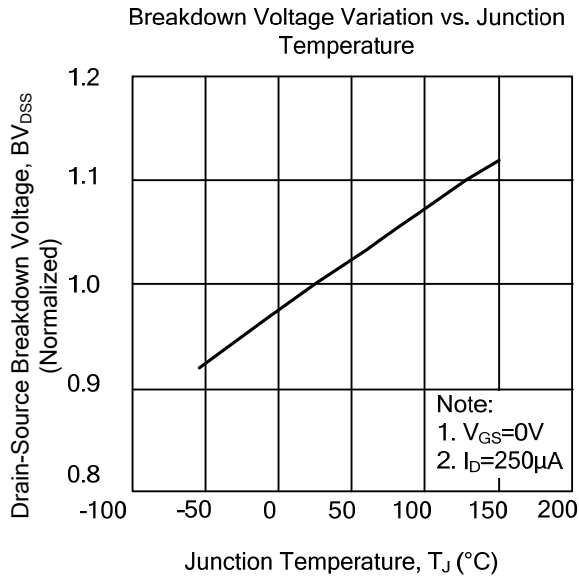
Capacitance Characteristics (Non-Repetitive)



Gate Charge Characteristics



TYPICAL CHARACTERISTICS(Cont.)



UTC assumes no responsibility for equipment failures that result from using products at values that exceed, even momentarily, rated values (such as maximum ratings, operating condition ranges, or other parameters) listed in products specifications of any and all UTC products described or contained herein. UTC products are not designed for use in life support appliances, devices or systems where malfunction of these products can be reasonably expected to result in personal injury. Reproduction in whole or in part is prohibited without the prior written consent of the copyright owner. The information presented in this document does not form part of any quotation or contract, is believed to be accurate and reliable and may be changed without notice.