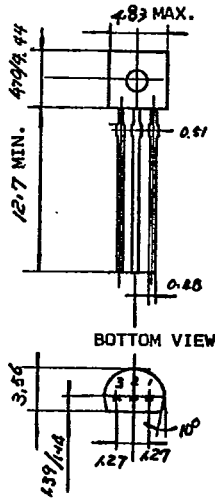


# SILICON CONTROLLED SWITCHES

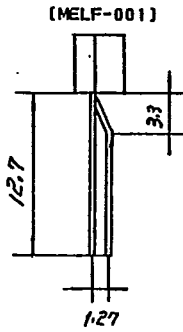
TYPE NO.	CASE	MAXIMUM RATINGS			NPN					PNP			VF @ I <sub>E</sub> = 50mA (V) max	I <sub>H</sub>			t <sub>on</sub> (ns) max
		Pd (mW)	I <sub>E</sub> (mA)	V <sub>CBO</sub> (V)	H <sub>FE</sub>		V <sub>CE(sat)</sub> (V)		H <sub>FE</sub>		I <sub>C</sub> (mA)	I <sub>H</sub> (mA)					
					min	I <sub>C</sub> (mA)	V <sub>CE</sub> (V)	max	I <sub>C</sub> (mA)	min		max		I <sub>Ga</sub> (mA)			
BR 101	TO-72	250	100	50	50	10	2	0.6	10	0.25	2.5	1	1.4	0.1	1	10	250
BRY 39	TO-72	250	100	70	50	10	5	0.5	10	0.25	2.5	0.7	1.4	0.1	1	10	250
3N 81	TO-72	400	200	65	15	3	0.5	2	50	0.1	—	1	1.4	—	1.5	10	1500
3N 82	TO-72	400	200	100	15	3	0.5	2	50	0.1	—	1	1.4	—	1.5	10	1500
3N 83	TO-72	200	50	70	15	3	0.5	1.2	25	0.1	—	1	1.4	—	4	10	1500



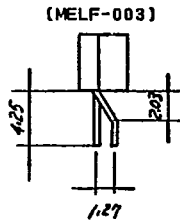
LEAD CODE	1	2	3
A	E	B	C
B	E	C	B
C	B	E	C
D	B	C	E
E*	C	E	B
F*	C	B	E
BA*	K	A	G
BF*	A	G	K
DA	S	G	D
DB	S	D	G
DC	D	G	S
DD	D	S	G
DE*	G	S	D
DF*	G	D	S
VOLTAGE REGULATOR			
D	O	G	L

\*ALL LEAD FORM TO MELF-001 UNLESS OTHERWISE NOTED.

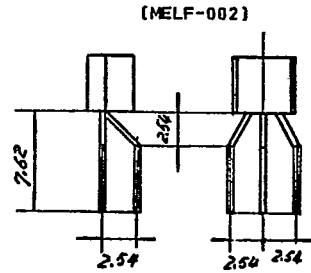
TO-92 LEAD FORM



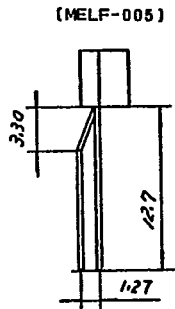
BOTTOM VIEW



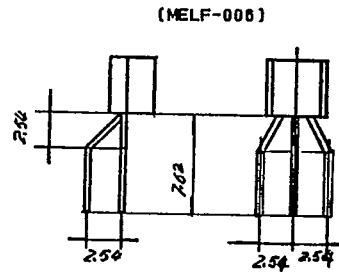
BOTTOM VIEW



BOTTOM VIEW

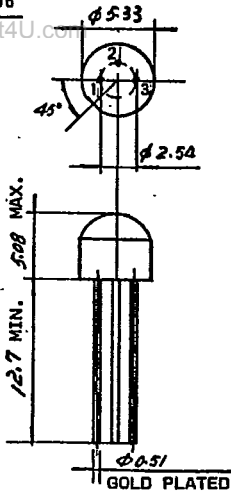


BOTTOM VIEW



BOTTOM VIEW

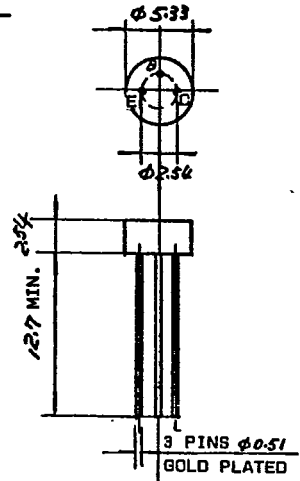
TO-106



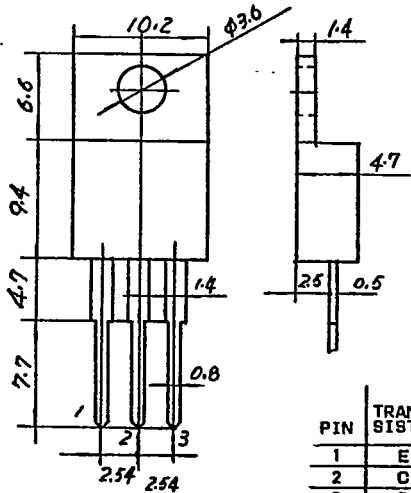
LEAD CODE	1	2	3
PUT	K	G	A
A	E	B	C
B	B	E	C

ALL TRANSISTORS IN TO-106 ARE OF LEAD CODE A UNLESS OTHERWISE SPECIFIED

TO-106 FLAT

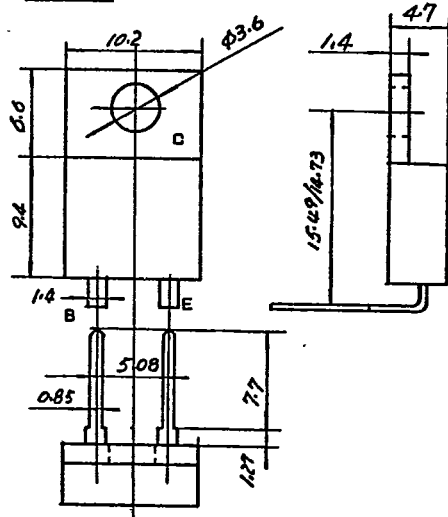


TO-220B

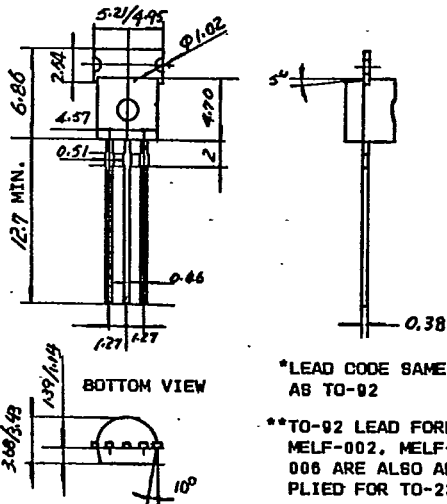


PIN	TRANSISTOR	VOLTAGE REGULATOR I.C.
1	E	INPUT
2	C	GROUND
3	B	OUTPUT

TO-220A



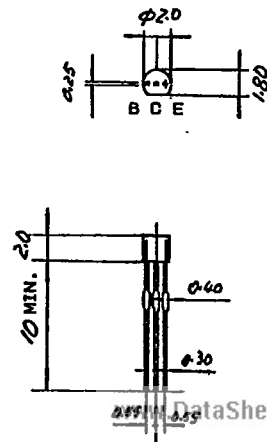
TO-237



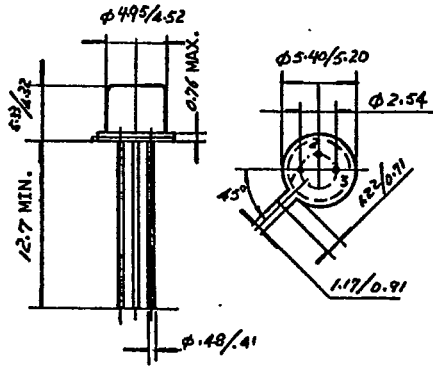
\*LEAD CODE SAME AS TO-92

\*\*TO-92 LEAD FORM MELF-002, MELF-006 ARE ALSO APPLIED FOR TO-237

MT-92

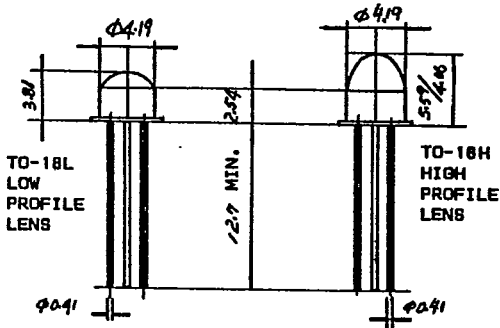


TO-18



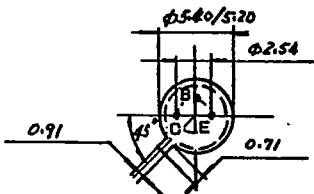
LEAD CODE	1	2	3
TRANSISTOR	E	B	C
FET	S	D	G

TO-18 PHOTO TRANSISTOR

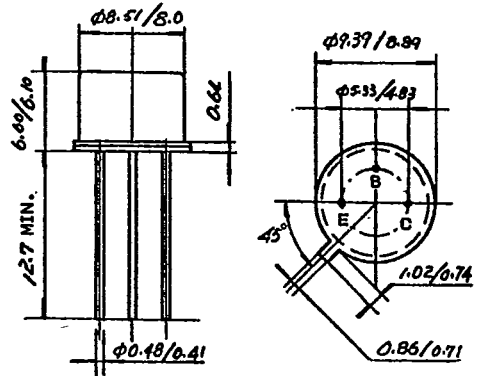


TO-18L  
LOW  
PROFILE  
LENS

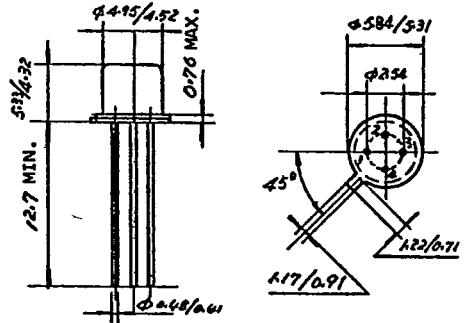
TO-18H  
HIGH  
PROFILE  
LENS



TO-30



TO-72



LEAD CODE	1	2	3	4
SCS	K	OK	GA	A
J	B	E	C	CASE
G	E	B	C	CASE
DH	S	D	G	CASE

TO-78

