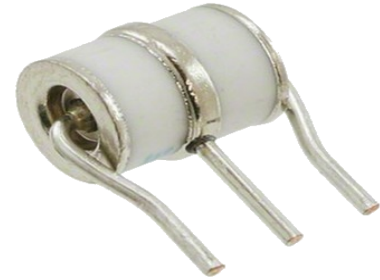


3RTA-6 SERIES GAS DISCHARGE TUBES

GDT introduction: Gas discharge tubes (GDT) use noble gasses enclosed in ceramic tubes to provide an alternate circuit path for voltage spikes. The ceramic envelope and with nickel connectors allow for high loads and Ruilon offers products that function at 20KA, 40KA, 50KA, 60KA, 100KA & 150KA. The breakdown voltages of the devices have a wide range (up to 20% tolerance). Major applications are high frequency telecommunication lines, stations, security systems, HID and high quality Surge Protection Devices (SPD).

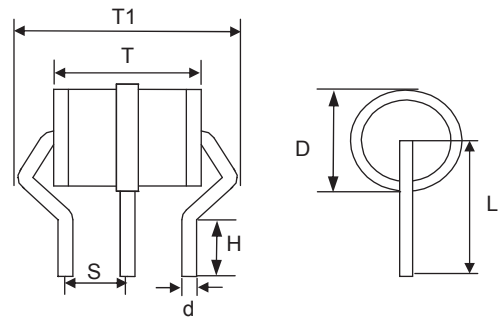


Features

- Rugged ceramic-metal construction
- Available with or without leads
- Available with fail-safe clip
- DC spark-over voltage: 70~800V
- Low capacitance
- Agency recognition : UL/cUL
- Operating temperature : -30°C ~ +85°C Storage temperature: -40°C ~ +115°C

Applications

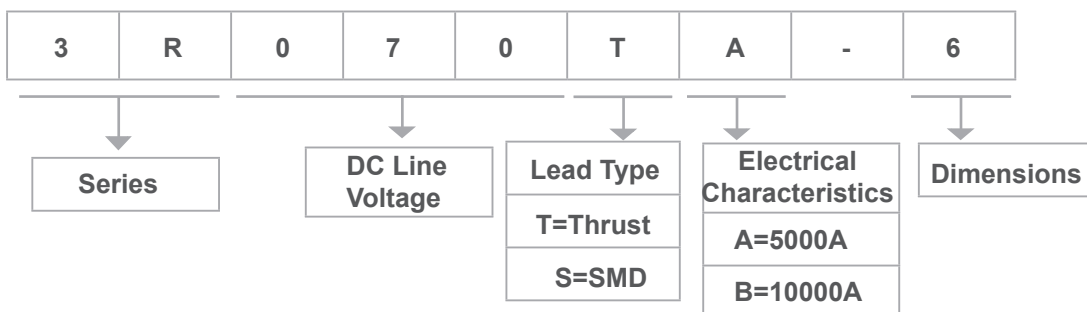
- Cable Modem
- xDSL
- Set-Top Box
- TV sets
- Power supplier
- Consumer electronics



Unit:mm

Item	Dimensions	
	Spec.	Tolerance
D	6.0	+0.2/-0.8
T	8.5	±0.5
T1	11.5	+0.8/-0.5
L	7.5	±0.5
S	3.8	±0.3
d	0.8	±0.05
H	4.5	Min.

Part Number Code





Electrical Characteristics

Part No.	DC Spark-over Voltage	Max. Impulse Breakdown Voltage		Max. Impulse Discharge Current (8/20 μ s)		Impulse Life(10/1000 μ s)	Normal Alternating Discharge Current		DC Holdover Voltage	Minimum Insulation Resistance	Maximum Capacitance (1MHz)
	100V/S	100V/ μ s	1KV/ μ s	1 time	10 times	100A	50Hz, 1Sec	Single 9 Cycles	<150ms		
T Series	(V)	(V)	(V)	(KA)		(Times)	(A)		(V)	(G Ω)	(pF)
3R070TA-6	70 \pm 20%	500	600	10	5	500	5	65	52	1	1.5
3R075TA-6	75 \pm 20%	500	600	10	5	500	5	65	52	1	1.5
3R090TA-6	90 \pm 20%	500	600	10	5	500	5	65	52	1	1.5
3R150TA-6	150 \pm 20%	500	700	10	5	500	5	65	52	1	1.5
3R230TA-6	230 \pm 20%	500	700	10	5	500	5	65	80	1	1.5
3R250TA-6	250 \pm 20%	500	700	10	5	500	5	65	135	1	1.5
3R300TA-6	300 \pm 20%	700	900	10	5	500	5	65	150	1	1.5
3R350TA-6	350 \pm 20%	700	900	10	5	500	5	65	150	1	1.5
3R400TA-6	400 \pm 20%	800	1000	10	5	500	5	65	150	1	1.5
3R470TA-6	470 \pm 20%	900	1100	10	5	500	5	65	150	1	1.5
3R600TA-6	600 \pm 20%	1100	1300	10	5	500	5	65	150	1	1.5
3R800TA-6	800 \pm 20%	1300	1500	10	5	500	5	65	150	1	1.5

DC Spark-over Voltage	DC Measuring Voltage
75-90V	50V
150-400V	100V
420-600V	250V