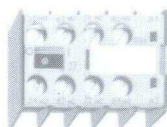


3TF2 and 3TD2 Contactors



3TF2010-0A..



3TX4431-2A..

Ordering Information

- ▶ Select Contactor from table below.
- ▶ Complete Catalog Number from coil code table at right.
- ▶ Additional auxiliary contacts cannot be added to SIMICONT contactors with low power consumption coils (eg: 3TF20**-0FB4).
- ▶ Overload Relays see page 402.
- ▶ Accessories see pages 400-401.

Coil Voltage Codes^②

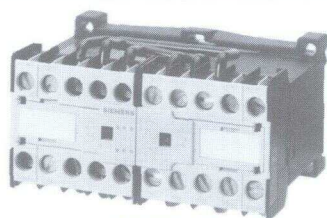
50/60Hz AC V	Code
24	C2
110/120	K6
175/208	M1
220/277	U1
208	M2
220/240	P6
380/460 ^③	V0
500/600 ^③	S0
DC V	Code
12	A4
24	B4
48	W4
125	G4
240	Q4

Contactors—Screw Termination Type

Coil Operation	Ampere Rating Enclosed		Max HP Ratings						Auxiliary Contacts Type ^①		Catalog No	Price \$
			1 Phase		3 Phase				NO	NC		
	IEC AC3	UL	115V	230V	208V	230V	460V	575V				
AC Operation	9	16	½	1½	3	3	5	5	1 —	— 1	3TF2010-0A1† 3TF2001-0A1†	59.00 59.00
DC Operation	9	16	½	1½	3	3	5	5	1 —	— 1	3TF2010-0B1† 3TF2001-0B1†	66.00 66.00
Special DC Operation Coil Consumption = 1.2W at 24V	Device can be operated by electronic circuits providing interface to other components.											
	9	16	½	1½	3	3	5	5	1 —	— 1	3TF2010-0FB4 3TF2001-0FB4	66.00 66.00

Auxiliary Contactors—Screw Termination Type

Description	Number of Contacts	NO	NC	Catalog No	Price \$
Snap-on auxiliary contact block attachment with either 1 or 3 auxiliary contacts will only mount to the basic contactor with 1 normally open auxiliary contact. (3TF2010...)	1	—	1	3TX4401-1A	19.50
	3	1	2	3TX4412-1A	43.00
Snap-on auxiliary contact block attachment with either 2 or 4 auxiliary contacts will mount to type 3TF2 contactor.	4	4	—	3TX4440-2A	30.00
	4	3	1	3TX4431-2A	30.00
	2	2	—	3TX4420-2A	19.50



3TD2001-1Q..

Ordering Information

- ▶ Select Reversing Contactor from table below.
- ▶ Complete Catalog Number from coil suffix table at the top of this page.
- ▶ Overload Relays see page 402.
- ▶ Accessories see pages 400-401.

Reversing Contactors—Screw Termination Type

Coil Operation	Ampere Rating Enclosed		Max HP Ratings						Auxiliary Contacts Per Contactor ^③ Type		Catalog No	Price \$
			1 Phase		3 Phase				NO	NC		
	IEC AC3	UL	115V	230V	208V	230V	460V	575V				
AC Operation	9	16	½	1½	3	3	5	5	—	1	3TD2000-1Q††	195.00
									1	—	3TD2003-1Q††	195.00
									2	2	3TD2002-2Q††	234.00
DC Operation	9	16	½	1½	3	3	5	5	—	1	3TD2000-1B††	221.00
									1	—	3TD2003-1B††	221.00
									2	2	3TD2002-2B††	260.00

①For all 3TF2 and 3TD2 devices on pages 400 and 401.
 ②3TF2 and 3TD2 coils are not field replaceable.
 ③Not for use with 3TD reversers.

④1 NC auxiliary contact per contactor used for reversing interlock. All 3TD2 reversers are mechanically interlocked and are supplied with power terminals and power wiring. Additional auxiliary contacts can not be added to 3TD2 reversers.

IEC Control

3TF2, 3TD2, and 3UA7

Features

- Direct drive operation.
- Bifurcated double bridge auxiliary contacts.
- Up to four additional snap on auxiliary contacts.
- Meet or exceed UL, CSA, IEC, VDE and other international standards.
- Snap on 35 mm DIN rail or panel mounting in any mounting orientation.
- Standard terminals accept two wires. Available also with fast-on tab connectors or solder pin mounting.

Benefits

- Meet or exceed electrical equipment specification for machine tools and processing equipment.
- Design suitable for interface with electronic circuits.
- Flexibility to meet most applications.
- Product accepted in most countries around the world.
- Full mounting flexibility for normal or difficult applications.
- Flexibility, quick wiring, and reduced installed cost.

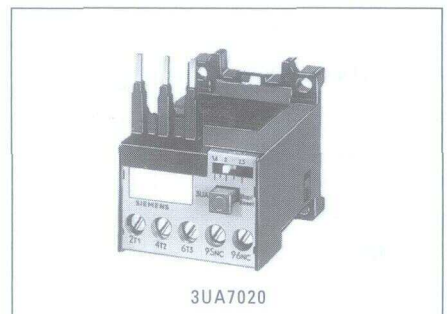
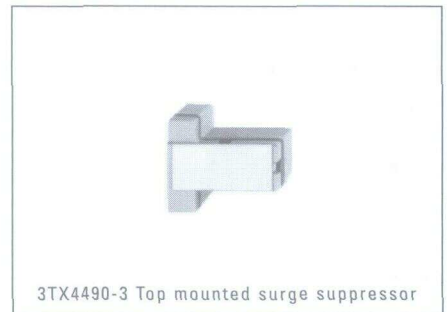
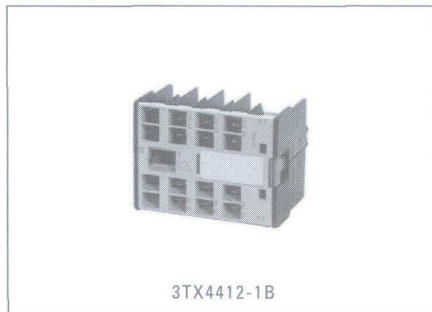
Description

The 3TF2/3TD2 contactors and 3UA7 overload relay are all part of the Siemens SIMICONT® product family.

3TF2/3TD2 contactors were designed to handle motor loads up to 5 HP, 480V as well as low energy applications including interfaces with programmable controllers.

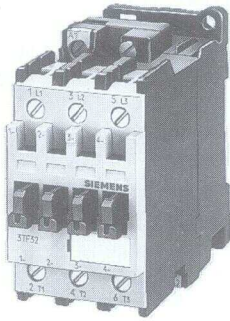
The terminal marking on all contactors and auxiliary contact blocks comply with international standards EN 50 005, EN 50 011 and EN 50 012 for export applications.

The type 3TD SIMICONT provides a space savings solution for your reversing applications with an internal mechanical interlock. In addition, the **3TD2002-2Q**. (2 NO, 2 NC) is equipped with an external prewired electrical interlock. The 3TD reverser can be mounted to standard DIN rail or directly to the panel.



www.DataSheet4U.com

3TF3 3-Pole and CRL0F3 Reversing Contactors with AC or DC Coil



3TF3200

Ordering Information

- ▶ Select Contactor from table below.
- ▶ Complete Catalog Number from coil codes table shown.
- ▶ Maximum combination of top and side mount auxiliary contacts is 4 per contactor.
- ▶ Overload Relays see pages 416–418.
- ▶ Accessories see page 419.
- ▶ Replacement Parts see pages 920–921.

Coil Voltage Codes

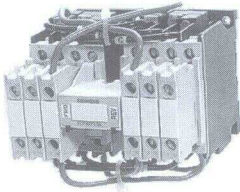
AC Voltage		Code
60Hz	50Hz	
24	24	C2
120	110	K6
208	175	M1
277	220	U1
240	220	P6
480	380–415	V0
600	500	S0
DC Voltage		Code
12		A4
24		B4
48		W4
125		G4
240		O4

3TF3 Non-Reversing Contactors

Ampere Rating Enclosed		1 Phase HP Ratings		3 Phase HP Ratings				Auxiliary Contacts		AC Coil Voltage		DC Coil Voltage	
IEC AC-3	UL	115V	230V	200V	230V	460V	575V	NO	NC	Catalog No	Price \$	Catalog No	Price \$
9	20	½	1½	2	3	5	7½	0	0	3TF3000-0A††	101.	3TF3000-0B††	140.
9	20	½	1½	2	3	5	7½	1	0	3TF3010-0A††	114.	3TF3010-0B††	153.
12	20	1	2	3	3	7½	10	0	0	3TF3100-0A††	133.	3TF3100-0B††	172.
12	20	1	2	3	3	7½	10	1	0	3TF3110-0A††	146.	3TF3110-0B††	185.
16	30	1	3	5	5	10	15	0	0	3TF3200-0A††	150.	3TF3200-0B††	195.
16	30	1	3	5	5	10	15	1 [Ⓢ]	1	3TF3211-0A††	176.	3TF3211-0B††	221.
22	30	2	3	7½	7½	15	20	0	0	3TF3300-0A††	159.	3TF3300-0B††	205.
22	30	2	3	7½	7½	15	20	1 [Ⓢ]	1	3TF3311-0A††	185.	3TF3311-0B††	231.
32	55	3	5	10	10	25	30	0	0	3TF3400-0A††	169.	3TF3400-0B††	250.
32	55	3	5	10	10	25	30	1 [Ⓢ]	1	3TF3411-0A††	195.	3TF3411-0B††	276.
38	55	3	7½	10	15	25	30	0	0	3TF3500-0A††	197.	3TF3500-0B††	272.
38	55	3	7½	10	15	25	30	1 [Ⓢ]	1	3TF3511-0A††	223.	3TF3511-0B††	298.

Factory Assembled 3TF3 Reversing Contactors

All CRL0F3 Reversers are mechanically and electrically interlocked and are supplied wired. Reversing contactors can be assembled from components. See Accessories.



CRL0F46

Ampere Rating Enclosed		3 Phase HP Ratings				Auxiliary Contacts [Ⓢ] Per Contactor		AC Coil Voltage		DC Coil Voltage	
IEC AC-3	UL	200V	230V	460V	575V	NO	NC	Catalog No	Price \$	Catalog No	Price \$
9	20	2	3	5	7½	2	2	CRL0F3022††	325.	CRL0F3022††	531.
12	20	3	3	7½	10	2	2	CRL0F3122††	390.	CRL0F3122††	629.
16	30	5	5	10	15	2	1	CRL0F3221††	431.	CRL0F3221††	656.
22	30	7½	7½	15	20	2	1	CRL0F3321††	472.	CRL0F3321††	672.
32	55	10	10	25	30	2	1	CRL0F3421††	533.	CRL0F3421††	711.
38	55	10	15	25	30	2	1	CRL0F3521††	683.	CRL0F3521††	954.

[Ⓢ]1 NC auxiliary contact per contactor used for electrical interlock.

[Ⓢ]2 Contactors with side mounted auxiliary contacts cannot be used with mechanical interlock Catalog Number 3TX4091-1A.