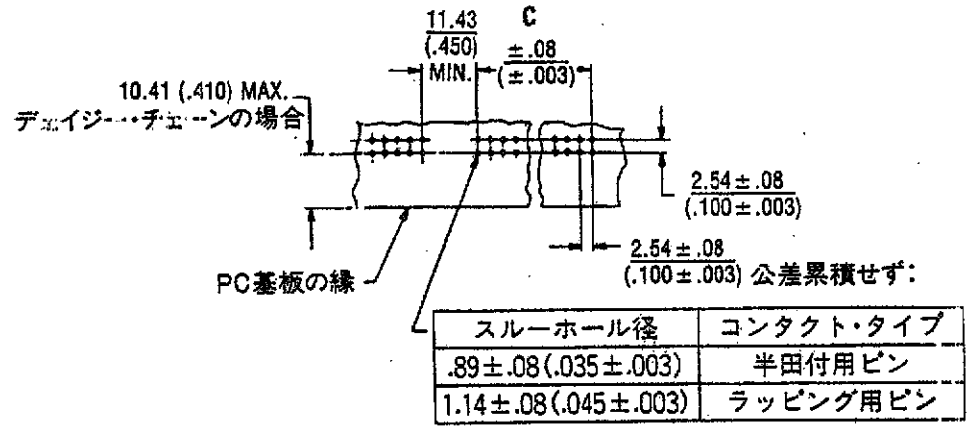
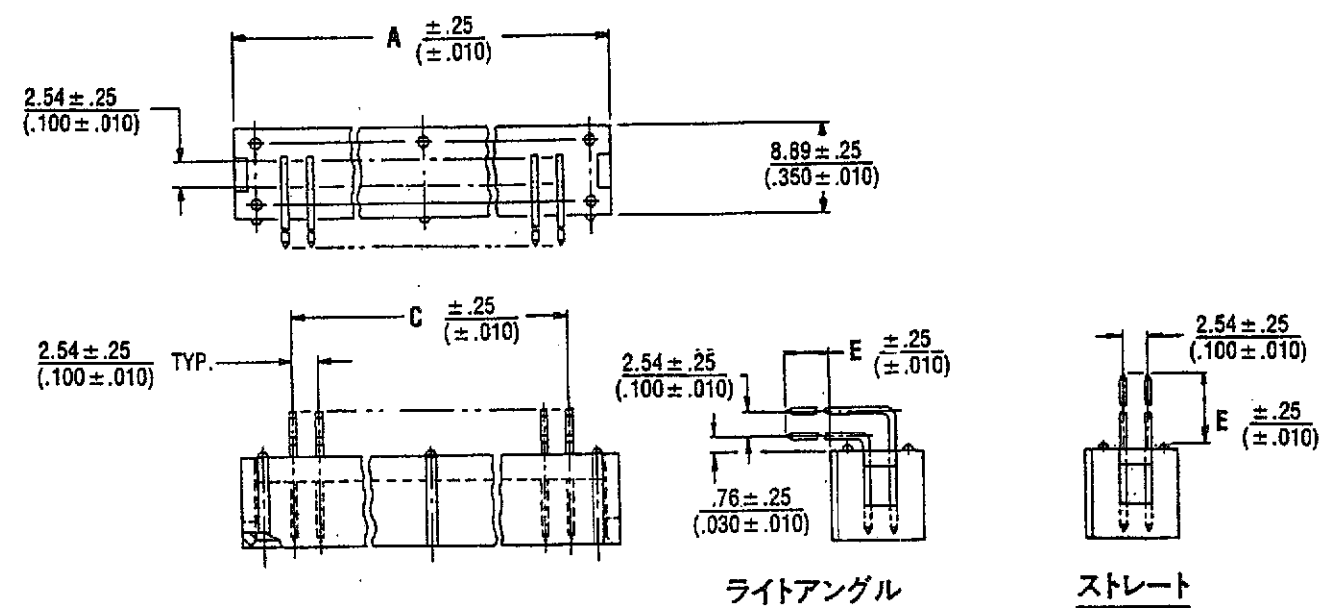


THIS DRAWING IS UNPUBLISHED. RELEASED FOR PUBLICATION

© COPYRIGHT BY TYCO ELECTRONICS CORPORATION. ALL RIGHTS RESERVED.

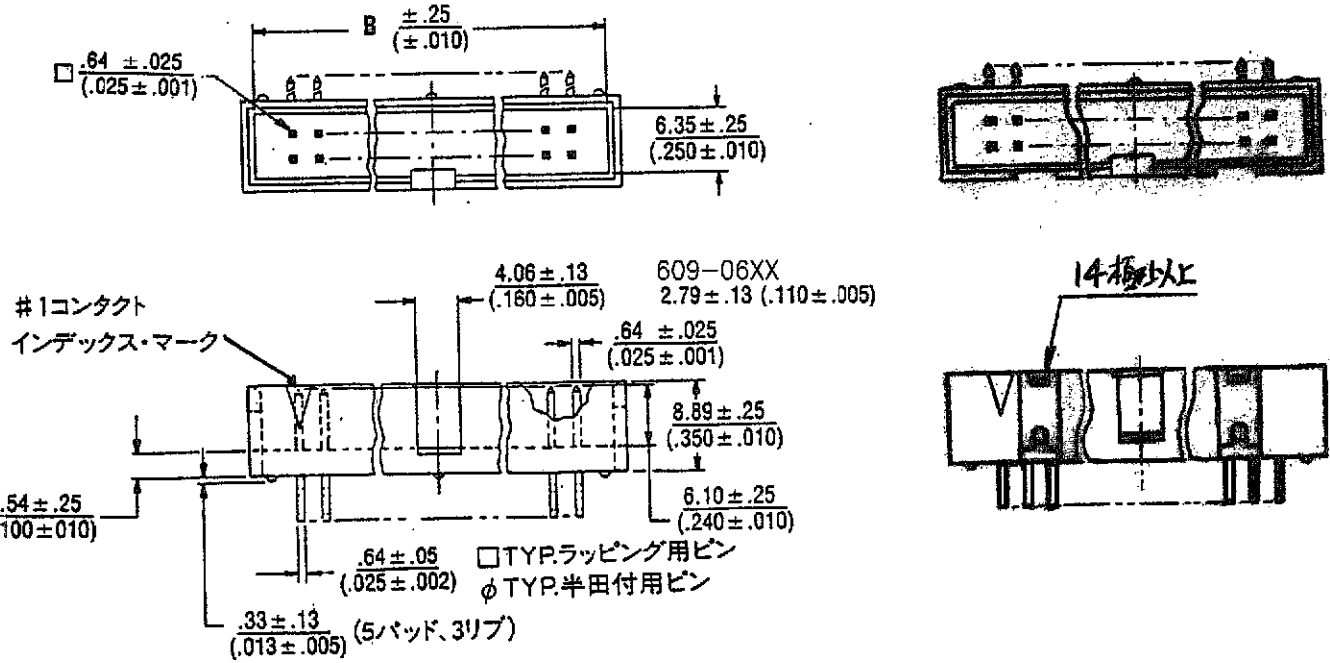
LOC	DIST	REVISIONS					
J	-	P	LTR	DESCRIPTION	DATE	DWN	APVD
		A		REVISED (FJ00-1434-01)	26JUN01	M.I	HS



仕様

使用材料	
絶縁材料	ガラス繊維入り熱可塑性樹脂 (94-V0) 色調:青
コンタクト	黄銅
コンタクト・メッキ	ニッケル下地に金メッキ
電気的特性	
定格電流	1A
絶縁抵抗	$> 1 \times 10^9 \Omega / 500VDC$
絶縁耐圧	$> 1000VRMS$ (SEA LEVEL)
環境的特性	
定格温度	$-55^\circ C - 125^\circ C$

旧型番	寸法E	コンタクト・タイプ
609-XX07	2.59 (.102)	半田付用ピン
609-XX47	15.49 (.610)	ラッピング用ピン



型番				旧型番				極数	寸法 A	寸法 B	寸法 C
RIGHT ANGLE	STRAIGHT	RIGHT ANGLE	STRAIGHT	RIGHT ANGLE	STRAIGHT	RIGHT ANGLE	STRAIGHT				
2-1437044-4	2-1437044-7	N/A	N/A	609-0607	609-0627	609-0647	609-0657	6	15.24 (.600)	12.70 (.500)	5.08 (.200)
3-1437044-7	4-1437044-3	N/A	N/A	609-1007	609-1027	609-1047	609-1057	10	20.32 (.800)	17.78 (.700)	10.16 (.400)
N/A	5-1437044-9	N/A	N/A	609-1407	609-1427	609-1447	609-1457	14	25.40 (1.000)	22.86 (.900)	15.24 (.600)
7-1437044-3	8-1437044-0	N/A	N/A	609-1607	609-1627	609-1647	609-1657	16	27.94 (1.100)	25.40 (1.000)	17.78 (.700)
9-1437044-5	1437045-2	N/A	N/A	609-2007	609-2027	609-2047	609-2057	20	33.02 (1.300)	30.48 (1.200)	22.86 (.900)
1-1437045-6	N/A	N/A	N/A	609-2407	609-2427	609-2447	609-2457	24	38.10 (1.500)	35.56 (1.400)	27.94 (1.100)
2-1437045-5	3-1437045-2	N/A	N/A	609-2607	609-2627	609-2647	609-2657	26	40.64 (1.600)	38.10 (1.500)	30.48 (1.200)
4-1437045-7	5-1437045-4	N/A	N/A	609-3407	609-3427	609-3447	609-3457	34	50.80 (2.000)	48.26 (1.900)	40.64 (1.600)
N/A	N/A	N/A	N/A	609-3607	609-3627	609-3647	609-3657	36	53.34 (2.100)	50.80 (2.000)	43.18 (1.700)
N/A	8-1437045-3	N/A	N/A	609-4007	609-4027	609-4047	609-4057	40	58.42 (2.300)	55.88 (2.200)	48.26 (1.900)
N/A	N/A	N/A	N/A	609-4407	609-4427	609-4447	609-4457	44	63.50 (2.500)	60.96 (2.400)	53.34 (2.100)
1437046-6	1-1437046-5	N/A	N/A	609-5007	609-5027	609-5047	609-5057	50	71.12 (2.800)	68.58 (2.700)	60.96 (2.400)
N/A	N/A	N/A	N/A	609-5607	609-5627	609-5647	609-5657	56	78.74 (3.100)	76.20 (3.000)	68.58 (2.700)
N/A	N/A	N/A	N/A	609-6007	609-6027	609-6047	609-6057	60	83.82 (3.300)	81.28 (3.200)	73.66 (2.900)
N/A	N/A	N/A	N/A	609-6407	609-6427	609-6447	609-6457	64	88.90 (3.500)	86.36 (3.400)	78.74 (3.100)

THIS DRAWING IS A CONTROLLED DOCUMENT.

DIMENSIONS: MM (INCH)

TOLERANCES UNLESS OTHERWISE SPECIFIED:

0 PLC	±
1 PLC	±
2 PLC	±
3 PLC	±
4 PLC	±
ANGLES	±

MATERIAL: - FINISH: -

AMP Tyco Electronics AMP K.K. Kawasaki, Japan

ロープロファイル・ヘッダー
LOW PROFILE HEADER

SIZE: A3 CAGE CODE: 00779 DRAWING NO: C-2-1437044-4 RESTRICTED TO: -

CUSTOMER DRAWING SCALE: None SHEET: 1 OF 1 REV: A

www.DataSheet.in