

This document was generated on 03/28/2010

PLEASE CHECK WWW.MOLEX.COM FOR LATEST PART INFORMATION

Part Number: [0082265503](#)
Status: **Active**
Description: 2.50mm (.098") Pitch Round Conductor Flat Cable - 26 AWG (7 x 34) Stranded, Topcoat, 3 Circuits, Reel 30.48m (100.0') Length

Documents:

[Drawing \(PDF\)](#) [RoHS Certificate of Compliance \(PDF\)](#)

Agency Certification

CSA LR61126
 UL E61522

General

Product Family Cable
 Series [40160](#)
 Crimp Quality Equipment Yes
 Geographic Area Asia
 Product Name Ribbon

Physical

Cable Length 30.48m (100.0')
 Circuits (Loaded) 3
 Flammability VW-1
 Insulation PVC
 Packaging Type Reel
 Pitch - Term. Interface (in) 0.098 In
 Pitch - Term. Interface (mm) 2.50 mm
 Temperature Range - Operating -20°C to +105°C
 Wire Size AWG 26
 Wire/Cable Type (7x34) Stranded, Topcoat

Electrical

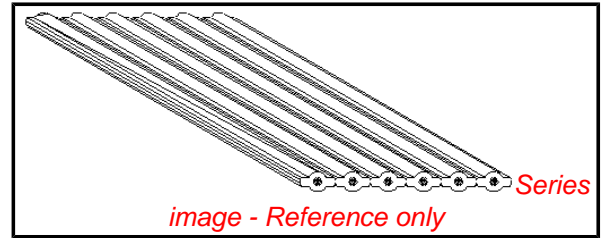
Current - Maximum per Contact N/A
 Voltage - Maximum 300V

Material Info

Old Part Number 40160-03-100B

Reference - Drawing Numbers

Sales Drawing SD-40160-001



EU RoHS

ELV and RoHS Compliant
REACH SVHC Not Reviewed
Halogen-Free Status Not Reviewed

China RoHS



Need more information on product environmental compliance?

Email productcompliance@molex.com
 For a multiple part number RoHS Certificate of Compliance, [click here](#)

Please visit the [Contact Us](#) section for any non-product compliance questions.

Search Parts in this Series

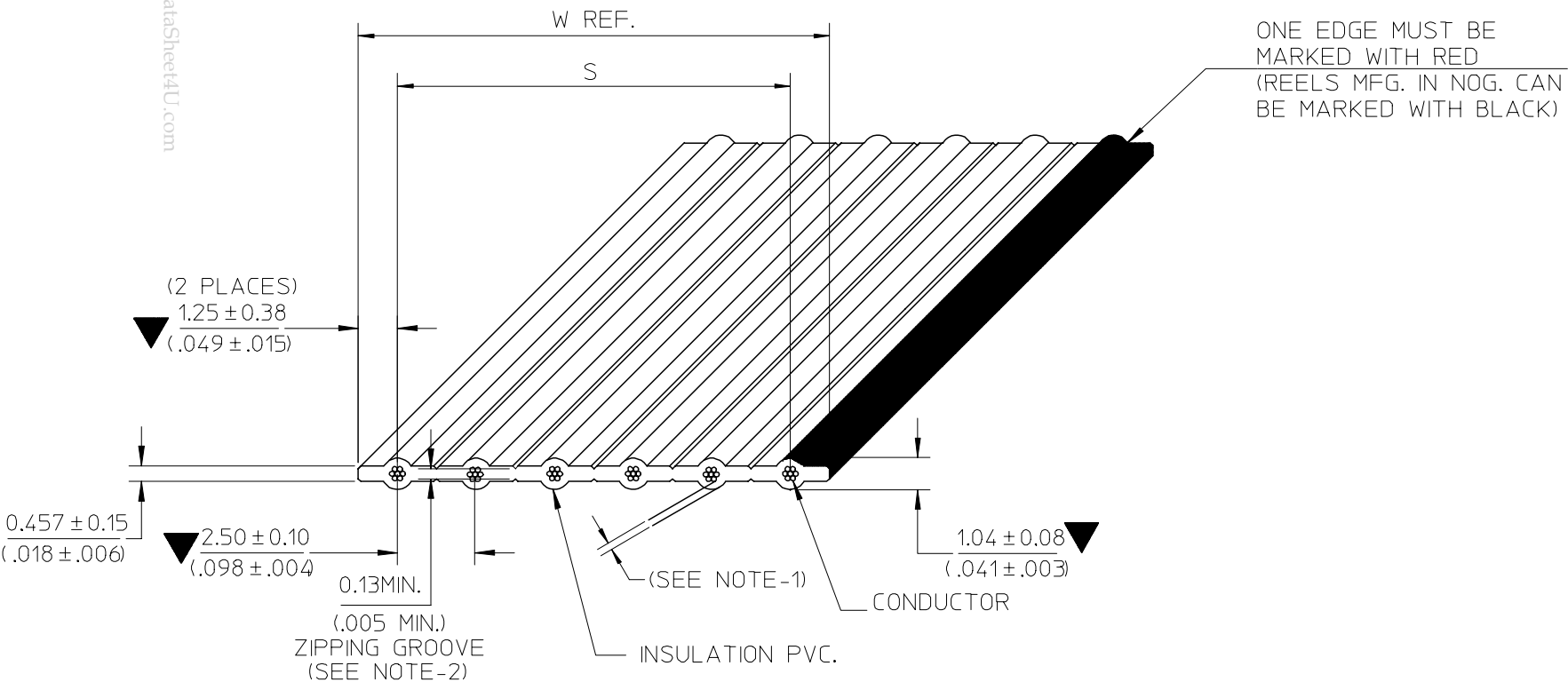
[40160Series](#)

Use With

[42219 SPOX™ IDT Receptacle](#)

This document was generated on 03/28/2010

PLEASE CHECK WWW.MOLEX.COM FOR LATEST PART INFORMATION



- NOTE :
1. THE CABLE SHALL HAVE A MINIMUM OF 0.178mm. (.007") THICKNESS INSULATION AT ANY POINT
 2. RIP TEST:
 - THE 0.13mm. (.005") ZIPPING GROOVE SHALL BE CAPABLE OF BEING RIPPED BY HAND WITHIN THE RECESS, WITHOUT EXPOSING THE ADJACENT CONDUCTORS
 3. RoHS AND LEAD FREE COMPLIANT
 4. SPECIAL REQUIREMENT: N/A

E-07-0748	B ₂ : ADD NON-OPERATING TEMP. B ₁ : ADD SOLDERING CONDITION	07/10/02
N/A	NEW RELEASE	06/07/13
EC NO.	DETAIL	DATE

SEE CHANGE DETAIL EC NO: THL2008-0015	DESCRIPTION
DRWN: CPANSAKHOM 2007/11/28	
CHKD: DNARINTARA 2007/11/29	
APPR: SVIRATJAPOL 2007/12/04	
REV	

QUALITY SYMBOLS
▽=3
▽=0

GENERAL TOLERANCES (UNLESS SPECIFIED)	
mm	INCH
4 PLACES ± ---	± ---
3 PLACES ± ---	± ---
2 PLACES ± ---	± ---
1 PLACE ± ---	± ---
ANGULAR ± ---°	
DRAFT WHERE APPLICABLE MUST REMAIN WITHIN DIMENSIONS	

DIMENSION STYLE	
MM/IN	
DRAWN BY	DATE
CPANSAKHOM	2006/07/13
CHECKED BY	DATE
PMEECHAI	2006/07/13
APPROVED BY	DATE
SVIRATJAPOL	2006/07/13
MATERIAL NO.	
SEE CHART	
SIZE	
A/4	

SCALE	DESIGN UNITS	THIRD ANGLE PROJECTION
NTS	INCH	
TITLE		
FCB ROUND CONDUCTOR 2.50MM(.098)CENTERS PVC. 26AWG STR TOPCOATED		
MOLEX INCORPORATED		
MATERIAL NO.	DOCUMENT NO.	SHEET NO.
SEE CHART	SD-40160-001	1 OF 3
THIS DRAWING CONTAINS INFORMATION THAT IS PROPRIETARY TO MOLEX INCORPORATED AND SHOULD NOT BE USED WITHOUT WRITTEN PERMISSION		

SPECIFICATIONS

PHYSICAL

CONDUCTOR SPACING ----- 2.50 (.098") ϕ TO ϕ
 WIRE GAUGE ----- 26 AWG(7/34) STRANDED TOPCOATED
 INSULATION ----- P.V.C GRAY (LEAD FREE)

AGENCY

U.L. STYLE NO. ----- 2651
 TEMPERATURE RATING ----- -20°C TO 105°C
 VOLTAGE RATING ----- 300V.MAX.
 FLAMMABILITY RATING ----- VW-1

ELECTRICAL

CONDUCTOR RESISTANCE (D.C.) ----- 43 m OHMS/FT. MAX.
 CHARACTERISTIC IMPEDANCE ----- 145 OHMS NOM. (GS)
 123 OHMS NOM. (GSG)
 CAPACITANCE ----- 5.6 pF/FT. NOM. (GS)
 10.3 pF/FT. NOM. (GSG)
 PROPAGATION DELAY ----- 1.4 ns/FT. NOM.
 INSULATION RESISTANCE ----- 10M OHMS (10FT. SAMPLE)
 DIELECTRIC WITHSTAND VOLTAGE ----- 2000 VRMS/MINUTE

GENERAL

$\triangle B_1$ NON-OPERATING TEMPERATURE ----- -20°C TO 105°C
 FAULTS AND/OR SPLICES ----- 1/REEL MAX. 100⁺³₀ FT. (30.48^{+0.914} M.)/REEL
 20FT. (6.096M.) MIN. LENGTH

$\triangle B_2$ SOLDERING CONDITION

SOLDER TEMPERATURE ----- 260°C. MAX.
 SOLDERING TIME ----- 3 SECOND, MAX.
 INSULATION SHRINK ----- 2MM. NOM

SEE CHANGE DETAIL EC NO: THL2008-0015 DRAWN: CPANSAKHOM 2007/11/28 CHKD: DNARINTARA 2007/11/29 APPR: SVIRATJAPOL 2007/12/04	DESCRIPTION REV	QUALITY SYMBOLS	GENERAL TOLERANCES (UNLESS SPECIFIED)		DIMENSION STYLE MM/IN		SCALE NTS	DESIGN UNITS INCH	THIRD ANGLE PROJECTION	
		=		mm	INCH	DRAWN BY CPANSAKHOM	DATE 2006/07/13	TITLE FCB ROUND CONDUCTOR 2.50MM(.098)CENTERS PVC. 26AWG STR TOPCOATED		
		=	4 PLACES	±---	±---	CHECKED BY PMEECHA I	DATE 2006/07/13	MOLEX MOLEX INCORPORATED		
			3 PLACES	±---	±---	APPROVED BY SVIRATJAPOL	DATE 2006/07/13	MATERIAL NO. SEE CHART	DOCUMENT NO. SD-40160-001	SHEET NO. 2 OF 3
			2 PLACES	±---	±---	DRAFT WHERE APPLICABLE MUST REMAIN WITHIN DIMENSIONS				
	1 PLACE	±---	±---	ANGULAR ±---°						

CHART A

DIMENSIONS MM. (INCHES)

ENGINEERING NO.	ORDER NO.	NO. OF CONDUCTOR	DIMENSION S	DIM. W (REF.)
40160-02-100B	82-26-5502	2	2.50±0.10 (.098±.004)	5.00 (.197)
▲ -03- ▲	▲ 03	3	5.00±0.20 (.197±.008)	7.50 (.295)
-04-	04	4	7.50±0.30 (.295±.012)	10.00 (.394)
-05-	05	5	10.00±0.33 (.394±.013)	12.50 (.492)
-06-	06	6	12.50±0.33 (.492±.013)	15.00 (.591)
-07-	07	7	15.00±0.33 (.591±.013)	17.50 (.689)
-08-	08	8	17.50±0.33 (.689±.013)	20.00 (.787)
-09-	09	9	20.00±0.33 (.787±.013)	22.50 (.886)
-10-	10	10	22.50±0.33 (.886±.013)	25.00 (.984)
-11-	11	11	25.00±0.33 (.984±.013)	27.50 (1.083)
-12-	12	12	27.50±0.33 (1.083±.013)	30.00 (1.181)
-13-	13	13	30.00±0.33 (1.181±.013)	32.50 (1.280)
-14-	14	14	32.50±0.33 (1.280±.013)	35.00 (1.378)
-15-	15	15	35.00±0.33 (1.378±.013)	37.50 (1.476)
-16-	16	16	37.50±0.33 (1.476±.013)	40.00 (1.575)
-17-	17	17	40.00±0.33 (1.575±.013)	42.50 (1.673)
-18-	18	18	42.50±0.33 (1.673±.013)	45.00 (1.772)
-19-	19	19	45.00±0.33 (1.772±.013)	47.50 (1.870)
-20-	20	20	47.50±0.33 (1.870±.013)	50.00 (1.969)
-21-	21	21	50.00±0.33 (1.969±.013)	52.50 (2.067)
-22-	22	22	52.50±0.33 (2.067±.013)	55.00 (2.165)
▼ -23- ▼	▼ 23	23	55.00±0.33 (2.165±.013)	57.50 (2.264)
40160-24-100B	82-26-5524	24	57.50±0.33 (2.264±.013)	60.00 (2.362)

ENGINEERING NO.

40160-XX-XXXX

A B C D

A : CABLE 2.50mm. (.098") CENTERS 26AWG STRANDED TOPCOATED

B : CONDUCTOR SIZE (AVAILABILITY 2 THROUGH 24)

C : CABLE LENGTH 100FT. (30.48M.)

D : A = INCHES

B = FEET

SEE CHANGE DETAIL EC NO: THL2008-0015 DRWN: CPANSAKHOM 2007/11/28 CHKD: DNARINTARA 2007/11/29 APPR: SVIRATJAPOL 2007/12/04	DESCRIPTION ▲ = ▼ =	QUALITY SYMBOLS		GENERAL TOLERANCES (UNLESS SPECIFIED)		DIMENSION STYLE MM/IN		SCALE NTS	DESIGN UNITS INCH	THIRD ANGLE PROJECTION	
				mm	INCH	DRAWN BY CPANSAKHOM	DATE 2006/07/13	TITLE FCB ROUND CONDUCTOR 2.50MM(.098)CENTERS PVC. 26AWG STR TOPCOATED			
		4 PLACES	± ---	± ---		CHECKED BY PMEECHAI	DATE 2006/07/13	MATERIAL NO. SEE CHART			
		3 PLACES	± ---	± ---		APPROVED BY SVIRATJAPOL	DATE 2006/07/13	DOCUMENT NO. SD-40160-001		SHEET NO. 3 OF 3	
		2 PLACES	± ---	± ---		DRAFT WHERE APPLICABLE MUST REMAIN WITHIN DIMENSIONS					
1 PLACE	± ---	± ---		ANGULAR ± ---°							