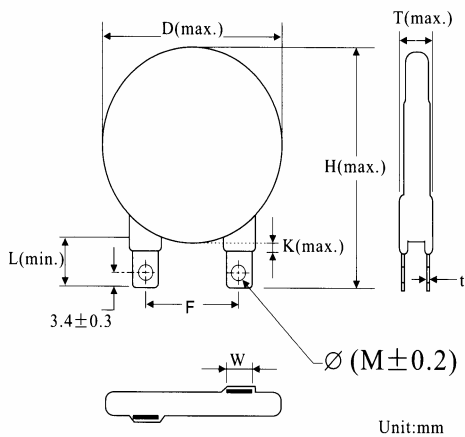


● **40D series**

Model Number	Maximum Allowable Voltage		Varistor Voltage V 1m (V)	Clamping Voltage (MAX.)		Maximum Peak Current (8/20μs)		Maximum Energy (JOULE) 10/1000 μs	Typical Capacitance (Reference) @1KHz (pf)	UL	CSA
	AC (V)	DC (V)		VC (V)	IP (A)	1 time (A)	2 time (A)				
	40D201K	130	170	200(185-225)	340	300	40000	20000	370		
40D241K	150	200	240(216-264)	395	430				8000	*	*
40D271K	175	225	270(243-297)	455	470				7600	*	*
40D331K	210	275	330(297-363)	550	550				6700	*	*
40D361K	230	300	360(324-396)	595	570				6200	*	*
40D391K	250	320	390(351-429)	650	590				5100	*	*
40D431K	275	350	430(387-473)	710	660				4900	*	*
40D471K	300	385	470(423-517)	775	720				4300	*	*
40D511K	320	415	510(459-561)	845	770				4200	*	*
40D621K	385	505	620(558-682)	1025	860				3800	*	*
40D681K	420	560	680(612-748)	1120	900				3500	*	*
40D751K	460	615	750(675-825)	1240	940				3200	*	*
40D781K	485	640	780(702-858)	1290	980				3000	*	*
40D821K	510	670	820(738-902)	1355	1080				2900	*	*
40D911K	550	745	910(819-1001)	1500	1150				2200	*	*
40D951K	575	765	950(855-1045)	1570	1200				2000	*	*
40D102K	625	825	1000(900-1100)	1650	1260				1800	*	*
40D112K	680	895	1100(990-1210)	1815	1380				1600	*	*
40D122K	750	990	1200(1080-1320)	1980	1380				1500		*
40D152K	900	1200	1500(1350-1650)	2475	1550				1300		*
40D182K	1000	1465	1800(1620-1980)	2970	1800	1150		*			

DIMENSIONS



D (max.)	45
H (max.)	60.2
T (max.)	Ref.Tab1
F (±0.5)	25.4
t (±0.1)	0.5
L (min.)	16.5
K (max.)	3.18
W (±0.5)	7.0
Ø (M±0.2)	3.8

Tab1.

Model	T (max.)	Model	T (max.)
201K	6.2	751K	9.4
241K	6.4	781K	9.6
271K	6.6	821K	9.8
331K	6.9	911K	10.4
361K	7.1	951K	10.6
391K	7.3	102K	11.2
431K	7.5	112K	11.8
511K	8.0	152K	13.3
621K	8.7	182K	14.3
681K	9.0		