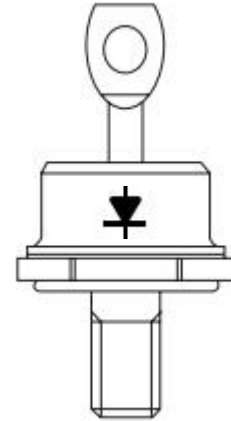


### FEATURES

- High surge current capability
- Stud cathode and stud anode version
- Designed and qualified for industrial and consumer level
- Minimum Lot-to-Lot variations for robust device performance and reliable operation

### APPLICATIONS

- Battery charges
- Converters
- Power supplies
- Machine tool controls



Case Style DO-5

### ABSOLUTE MAXIMUM RATINGS

SYMBOL	PARAMETER	CONDITIONS		VALUE	UNIT
$V_{RRM}$	Repetitive Peak Reverse Voltage			1000	V
$I_{F(AV)}$	Average Forward Current	$T_C=140^{\circ}C$ , 180° conduction, half sine wave		40	A
$I_{F(RMS)}$	Max. RMS forward current			62	A
$I_{FSM}$	Surge Forward Current	t=10ms	No voltage reappplied	570	A
		t=8.3ms		595	
		t=10ms	100% $V_{RRM}$ reappplied	480	
		t=8.3ms		500	
$I^2t$	$I^2t$ for fusing	t=10ms	No voltage reappplied	1600	$A_2S$
		t=8.3ms		1450	
		t=10ms	100% $V_{RRM}$ reappplied	1150	
		t=8.3ms		1050	
$T_J$	Junction Temperature			-65~190	°C
$T_{stg}$	Storage Temperature			-65~190	°C

### THERMAL CHARACTERISTICS

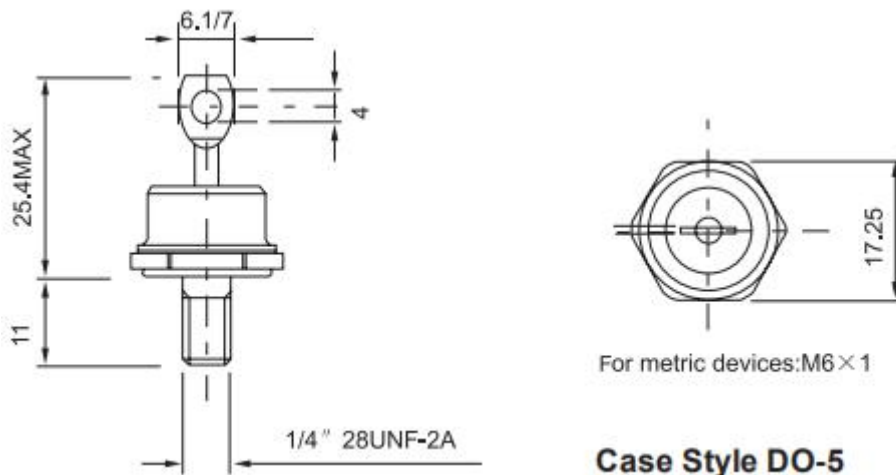
SYMBOL	PARAMETER	MAX	UNIT
$R_{th\ j-c}$	Thermal Resistance, Junction to Case	0.95	°C/W

### ELECTRICAL CHARACTERISTICS

SYMBOL	PARAMETER	CONDITIONS	MAX	UNIT
$V_{FM}$	Forward Voltage drop	$I_F = 125A, T_J = 25^\circ C, t_p = 400\mu s$	1.95	V

### PACKAGE OUTLINE

Dimensions in mm (1mm = 0.0394")



### NOTICE:

ISC reserves the rights to make changes of the content herein the datasheet at any time without notification. The information contained herein is presented only as a guide for the applications of our products.

ISC products are intended for usage in general electronic equipment. The products are not designed for use in equipment which require specialized quality and/or reliability, or in equipment which could have applications in hazardous environments, aerospace industry, or medical field. Please contact us if you intend our products to be used in these special applications.

ISC makes no warranty or guarantee regarding the suitability of its products for any particular purpose, nor does ISC assume any liability arising from the application or use of any products, and specifically disclaims any and all liability, including without limitation special, consequential or incidental damages.